

SCRUBTEC 337

Model:
SCRUBTEC 337
SCRUBTEC 337 ALTO



Stückliste Deutsch

24-02-2014

Nilfisk
ALTO
works for you

Inhalt

SCRUBTEC 337

Ansicht allgemein	3
COVER AND TANKS	5
Rahmen	7
HANDLE SUPPORT	9
GRIFFSTANGE	11
BRUSH DECK 01	13
BRUSH DECK 02	15
EMPFOHLENE ERSATZTEILE	17

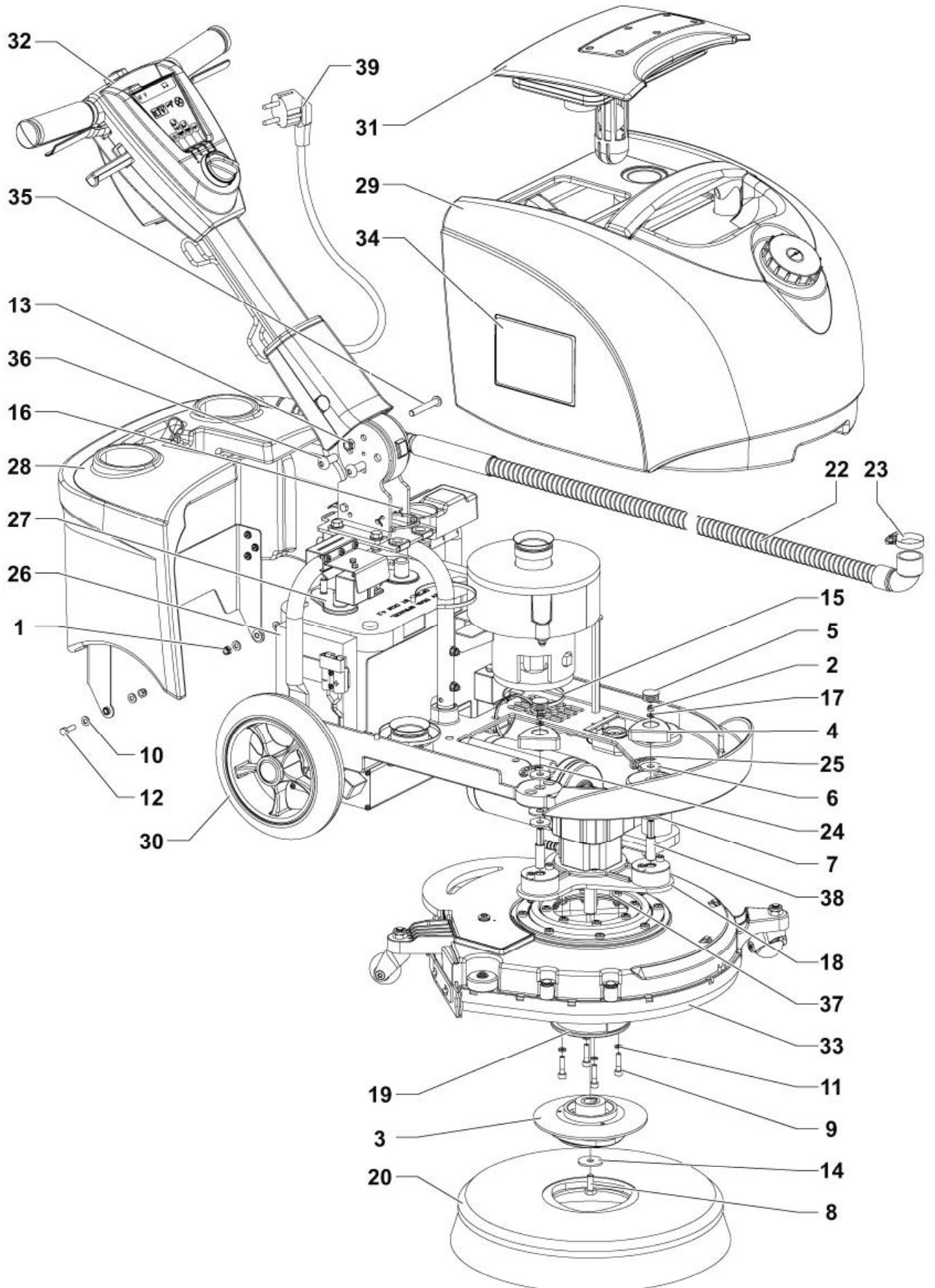
Ansicht allgemein

SCRUBTEC 337

24-02-2014

ET-Liste-Nr. SC337010

3



Ansicht allgemein

SCRUBTEC 337

24-02-2014

ET-Liste-Nr.
SC337010

4

Pos	Artikelnr.	Me	Beschreibung	
3		1	USE LINK	Brush hub dx assy
4	L08812203	2	Rändelmutter zu BA 530	
5	L08812426	2	Deckel klein zu BA 530	
18		1	USE LINK	Brush deck support assy
19	9098394000	1	Flansch für Bürstendeck	
20	9098529000	1	Bürste Prolene D370 mm	
20	9099006000	1	BRUSH D.370 PROLITE PPL	Optional
20	9099007000	1	BRUSH D.370 UNION MIX	Optional
20	9099008000	1	BRUSH D.370 MID GRIT 240	Optional
20	9099009000	1	Bürste Midlite Grit 370mm	Optional
21	10001919	1	Eco Pad 14, 355mm, grün 5er Pck	Not Shown - Optional
21	10001920	1	PAD 14 355MM ECO RED 5PCS 5er Pck	Not Shown - Optional
21	10001921	1	PAD 14 355MM ECO WHITE 5PCS 5er Pack	Not Shown - Optional
21	9099010000	1	PAD HOLDER D.350MM	Not Shown - Optional
21	L00190797	1	Pad braun 355mm	Not Shown - Optional
22	9098589000	1	Schlauch Saugleiste	
26	9098934000	2	PANEL BATTERY 30X170X110MM	
27	1464853000	1	BATTERY DISCOVER 12V 84Ah	Optional
27	9098977000	1	Batterie 12V/55Ah	
28		1	USE LINK	Battery cover assy
29		1	USE LINK	Tank blu alto assy
30		1	USE LINK	Frame assy
31		1	USE LINK	Tank cover assy
32		1	USE LINK	Handle bar - alto version assy
33		1	USE LINK	Cover deck (alto) assy
37	145 8024 000	1	Passfeder 5X5X25	
38	9098557000	2	PIN BRUSH PLATE FIXING	
39	909 5633 000	1	CABLE EXTENSION	
39	909 5676 000	1	Kabel Ex. Plug	
K1	9099299000	1	DECALS SRUBTEC 337 NILF-ALTO KIT	Not Shown - Item 24-25-34
K1	9099300000	1	DECALS SCRUBTEC 337 ALTO KIT	
K2	9099301000	1	HARDWARE GENERAL VIEW KIT	Not Shown - Item 1-2-6-7-8-9-10-11-12-13-14-15-16-

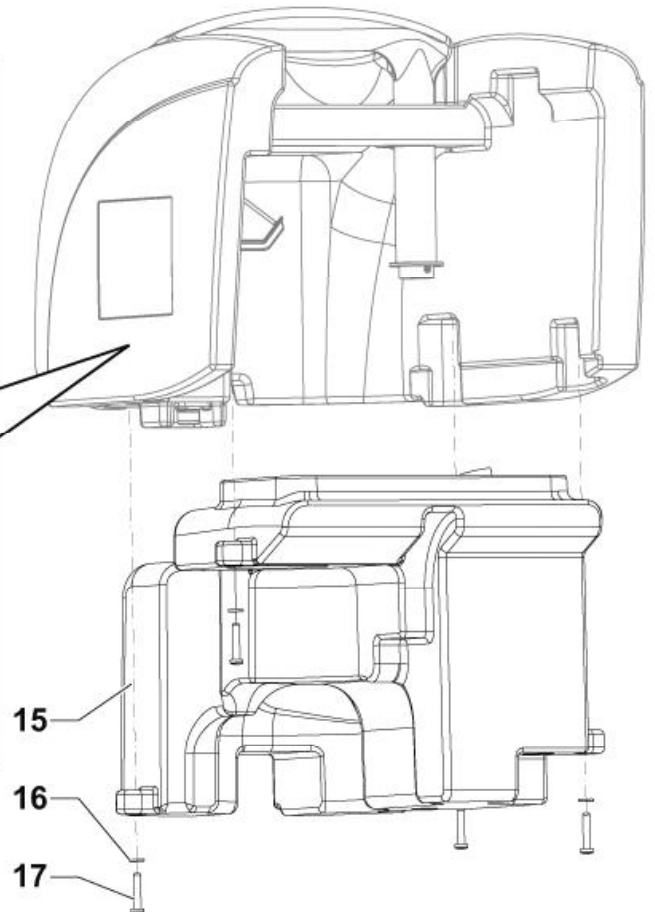
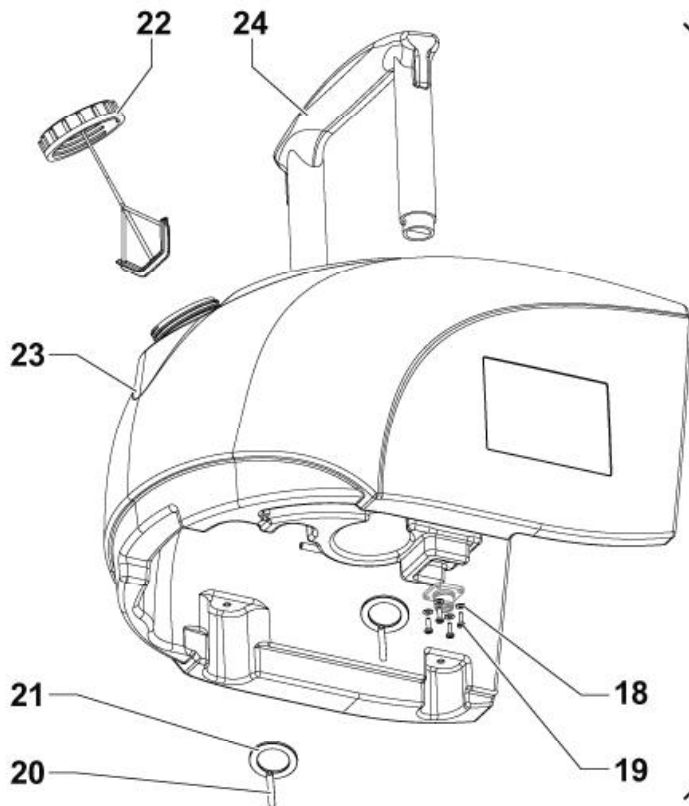
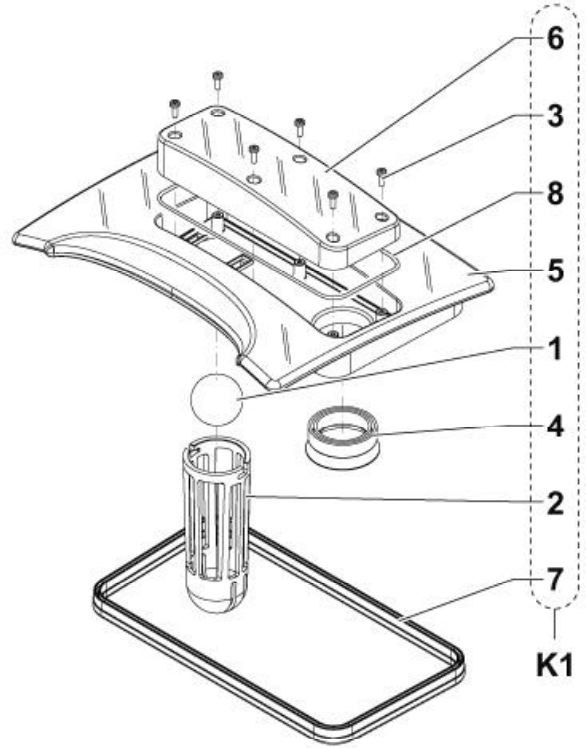
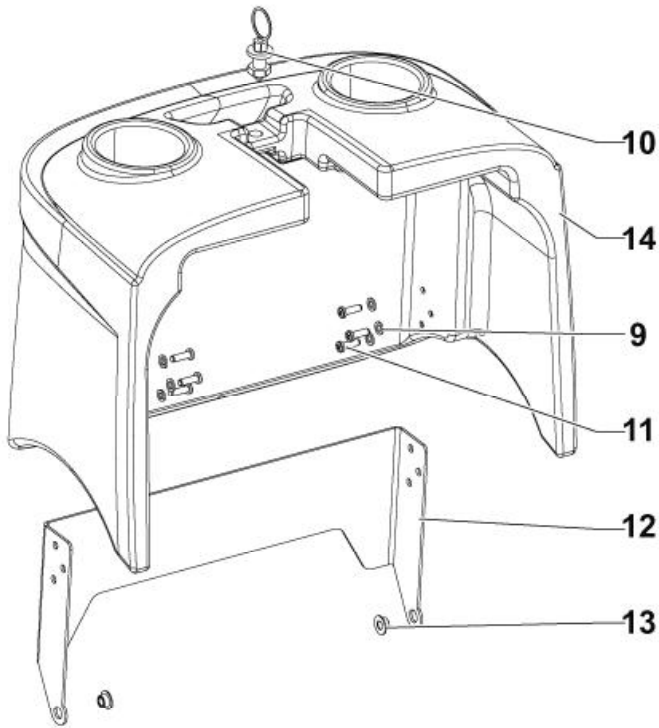
COVER AND TANKS

SCRUBTEC 337

24-02-2014

ET-Liste-Nr. SC337030

5



COVER AND TANKS

SCRUBTEC 337

24-02-2014

ET-Liste-Nr.
SC337030

6

Pos	Artikelnr.	Me	Beschreibung	
7	9099077000	1	GASKET RUBBER L.760MM PKD	
10	146 2449 000	1	Kolbenbolzen	
12	9098309000	1	SUPPORT BATTERY COVER	
14	9099079000	1	COVER BATTERY	
15	9099088000	1	TANK RECOVERY BLUE	
22	9099155000	1	CAP THREADED 70X5	
23	9099087000	1	TANK SOLUTION BLUE	
24	9099089000	1	HANDLE TANK BLUE	
K1	9099302000	1	COVER TANK KIT	Pos 1-2-3-4-5-6-7-8
K2	9099303000	1	Befestigung Tank und Abdeckung	NOT SHOWN - Pos 9-11-13-16-17-18-19-20-21

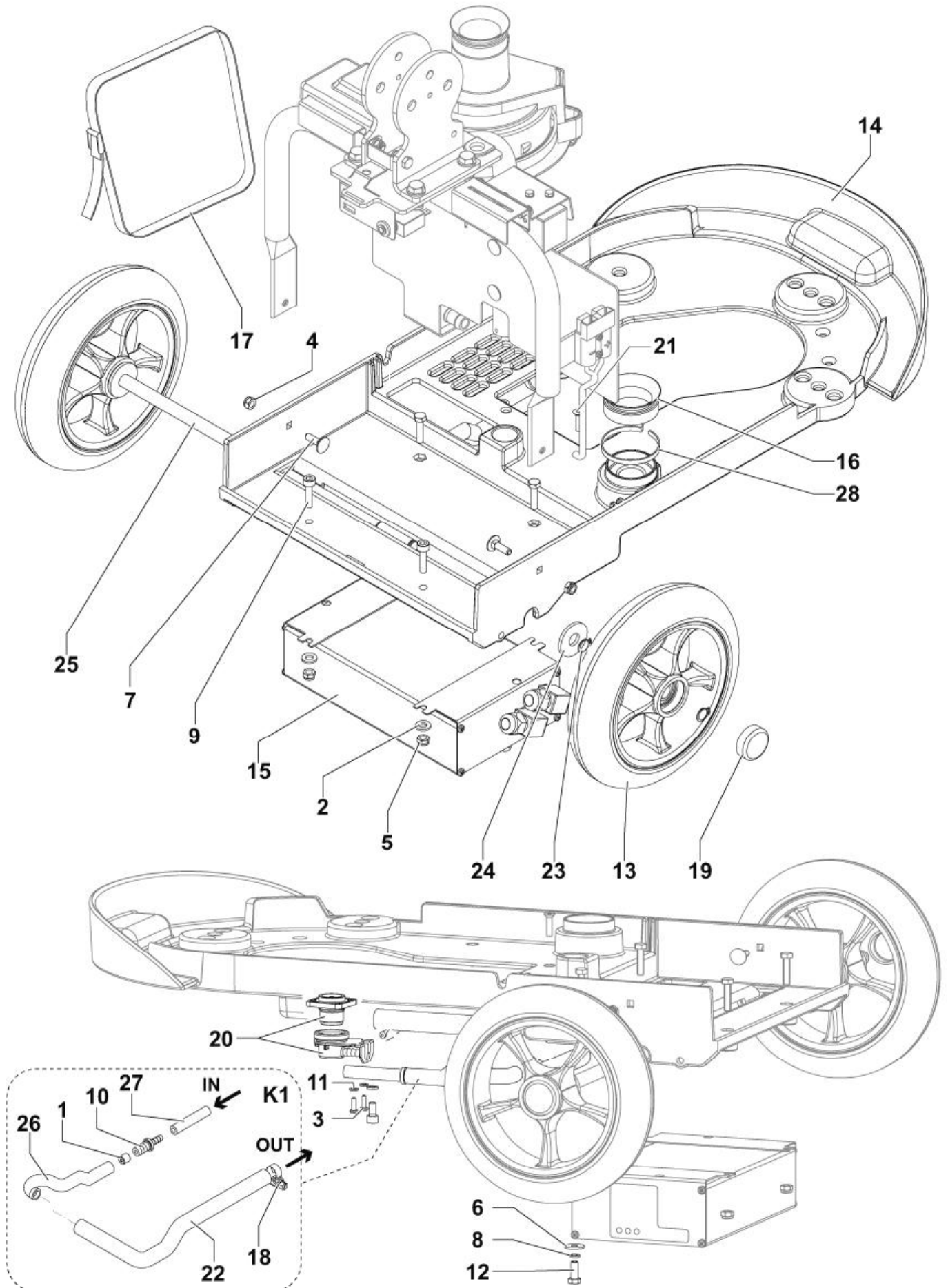
Rahmen

SCRUBTEC 337

24-02-2014

ET-Liste-Nr.
SC337050

7



Rahmen

SCRUBTEC 337

24-02-2014

ET-Liste-Nr.
SC337050

8

Pos	Artikelnr.	Me	Beschreibung	
0	9099926000	1	SUPPORT FOR GASKET KIT	
13	9098237000	2	Rad D.200mm	
14	9099927000	1	CHASSIS KIT	
15	9099793000	1	Ladegerät 12V 12A EU	SEE TSB FC 2013-118
16	9098319000	1	Abdichtung	
17	146 3054 000	1	BELT BATTERY FIXING	
19	9098915000	2	PLUG WHEEL	
20	9098697000	1	Wasserventil	
25	9098310000	1	Anschlagrad	
K1	9098992000	1	RohrleitungsKit	Pos 1-10-18-22-26-27
K2	9098993000	1	HARDWARE FRAME KIT	NOT SHOWN - Pos 2-3-4-5-6-7-8-9-11-12-21-23-24-28

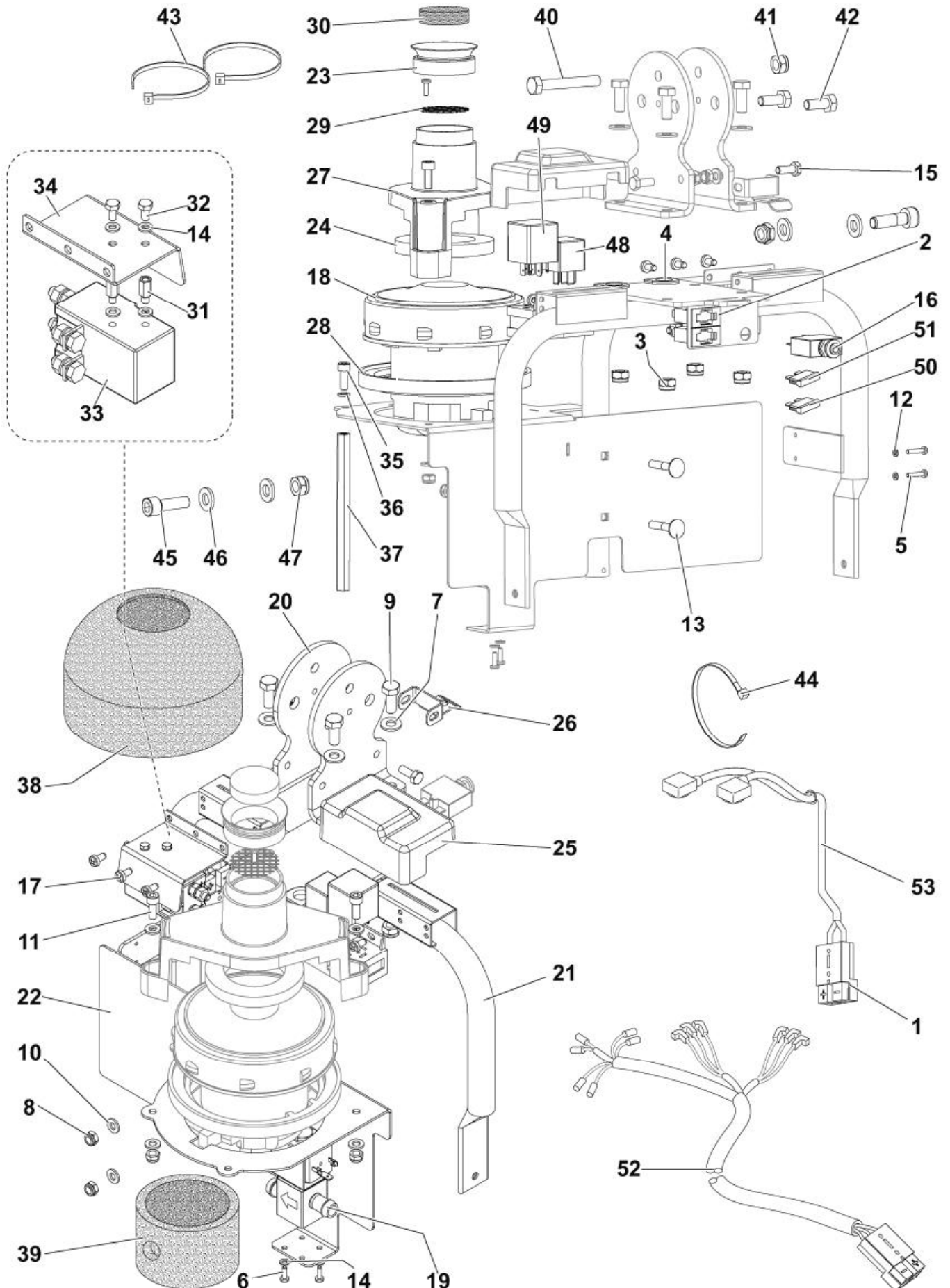
HANDLE SUPPORT

SCRUBTEC 337

24-02-2014

ET-Liste-Nr.
SC337070

9



HANDLE SUPPORT

SCRUBTEC 337

24-02-2014

ET-Liste-Nr.
SC337070

10

Pos	Artikelnr.	Me	Beschreibung
1	9098760000	2	CONNECTOR 50A GREY
2	9098924000	2	FUSE HOLDER
4	909 6542 000	2	Abdichtung Kabel
16	909 5706 000	1	Sicherung 30A
18	9098111000	1	Saugmotor 12V 200W
19	9098112000	1	Magnetventil 12V
20	9099073000	2	BRACKET HANDLE
21	9098267000	1	SUPPORT HANDLE
22	9098268000	1	SUPPORT VACUUM MOTOR
23	9098319000	1	Abdichtung
24	9098327000	1	Abdichtung Saugmotor
25	9098365000	1	COVER RELAY
26	9098482000	1	BRACKET PLUNGER BLOCK
27	9099074000	1	COVER VACUUM MOTOR
28	9098554000	1	GASKET VACUUM MOTOR
29	9098654000	1	Schutz
30	9098655000	1	Filter Saugmotor
33	9098424000	1	Magnetschalter 12V
34	9098560000	1	PLATE SUPPORT ELECTR.SWITCH
37	9098559000	1	SPACER SUPPORT VACUUM MOTOR
38	9098656000	1	Schuzthülle f. Motor
39	9098925000	1	CASING LOWER VACUUM MOTOR
48	9098441000	1	Relais 12V
49	9098375000	1	Timer
50	145 8513 000	1	Sicherung 30A
51	145 9852 000	1	Sicherung 5A
52	9098387000	1	Kabelbaum
53	9098849000	1	Batteriekabel
K1	9098994000	1	Befestigungskit

NOT SHOWN - Pos 3-5-6-7-8-9-10-11-12-13-14-15-17-3

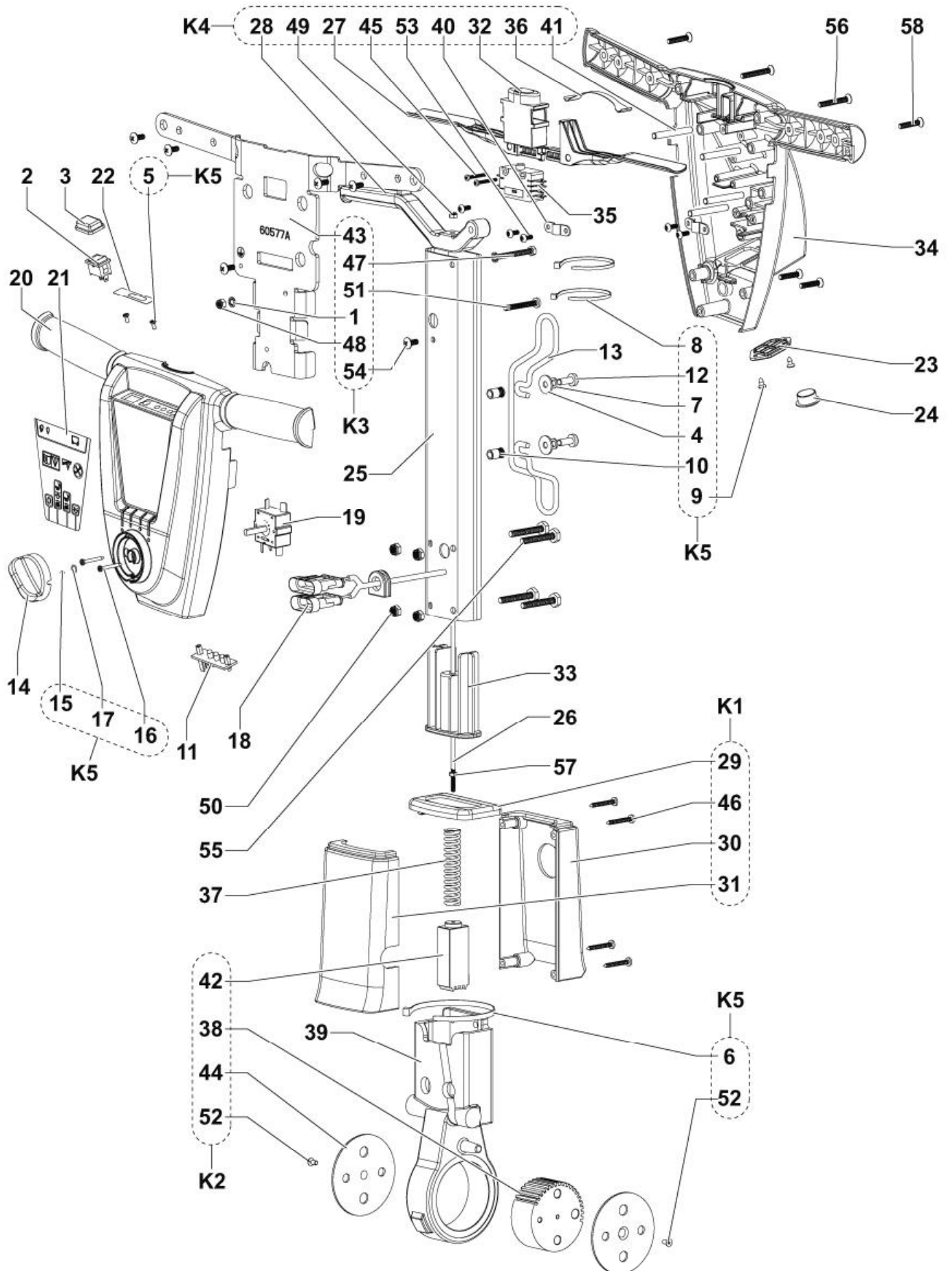
GRIFSTANGE

SCRUBTEC 337

24-02-2014

ET-Liste-Nr.
SC337090

11



GRIFFSTANGE

SCRUBTEC 337

24-02-2014

ET-Liste-Nr.
SC337090

12

Pos	Artikelnr.	Me	Beschreibung	
2	L08603153	1	Kippschalter	
3	L08603154	1	SCHUTZKAPPE	
11	146 3073 000	1	BOARD LED	
13	909 5149 000	1	Kabelführung	
14	9097283000	1	Drehknopf	
18	9098386000	1	Steuerkabel	
19	9098405000	1	Drehschalter 4 Pos.	
20	9099129000	1	COVER HANDLE FRONT	
21	9099242000	1	DECAL CONTROL PANEL	
22	9098616000	1	DECAL BATTERY LED	
23	9098812000	1	CAP FOR HANDLE	
24	9098813000	1	CAP D.18.5/D.24MM BLACK	
25	9098835000	1	TUBE OF HANDLE	
26	9098836000	1	ROD INDEX	
33	VF47033	1	RETAINER	
34	910000102	1	COVERS HANDLE BLUE KIT	
35	40263A	1	SWITCH DPST	
37	VF47007	1	SPRING LEVELING	
39	60408A	1	HOUSING GEAR INDEX	
50	VF14506	4	NUT LOCK SS M6	
55	GT13019	4	HEX SCREW M6x45	
56	80398A	2	SCREW M5X35 SS HEAD PHILLIPS	
57	VV13609	1	NUT M4	
58	80407A	4	SCREW M5X25 SS FLAT HEAD PHILLIPS	
K1	11271A	1	Abdeckungskit	Pos 29-30-31-46
K2	11272A	1	Gehäuseunterteil	Pos 38-42-44-52
K3	11273A	1	Befestigungskit für Griff	Pos 1-43-47-48-51-54
K4	11274A	1	Schalterkit	Pos 27-28-32-36-40-41-45-49-53
K5	9098995000	1	HARDWARE HANDLE BAR KIT	Pos 4-5-6-7-8-9-10-12-15-16-17-52

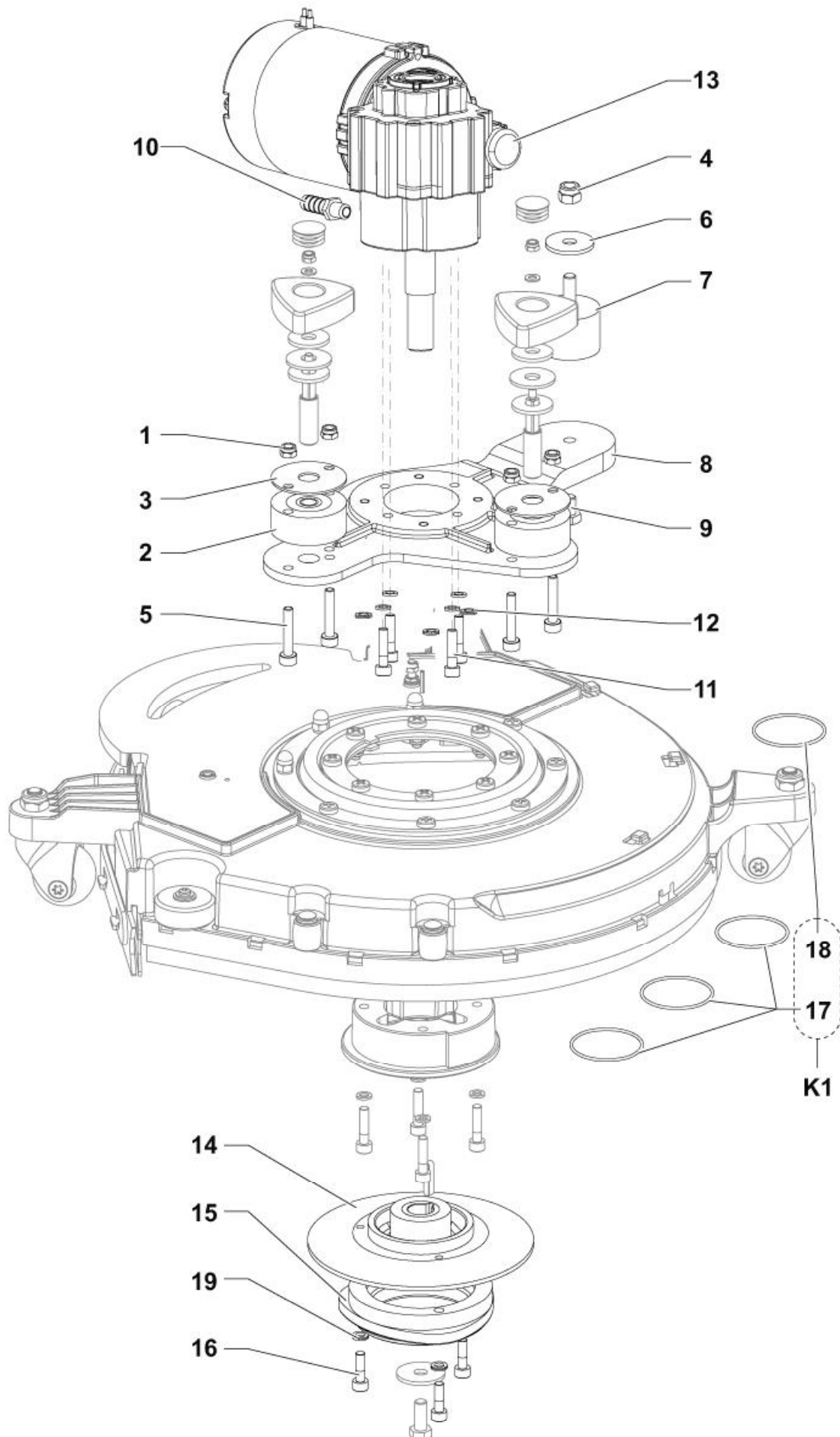
BRUSH DECK 01

SCRUBTEC 337

24-02-2014

ET-Liste-Nr. SC337110

13



BRUSH DECK 01

SCRUBTEC 337

24-02-2014

ET-Liste-Nr.
SC337/110

14

Pos	Artikelnr.	Me	Beschreibung	
0	9099741000	1	Distanzscheibe Abdeckung KIT	INST.INSTR.9097142000
2	L08812213	2	Distanzstück zu BA 530	
3	L08812779	2	Platte Vibrationsdämmung	
7	9097184000	1	VIBRATION DAMPING M8 60SH	
8	9098083000	1	SUPPORT BRUSH DECK	
10	L08601624	1	HOLDER RUBBER 1/4 D.10	
13	9099544000	1	Getriebemotor 12V 260W KIT	
14	L08812306	1	Bürstenbüchse zu Getriebe - s. 08812589 -	
15	L08812480	1	HUB,BRUSH	
K1	9098991000	1	Federscheiben-Kit	Pos 17-18
K2	9098996000	1	BefestigungsKit	NOT SHOWN - Pos 1-4-5-6-9-11-12-16-19

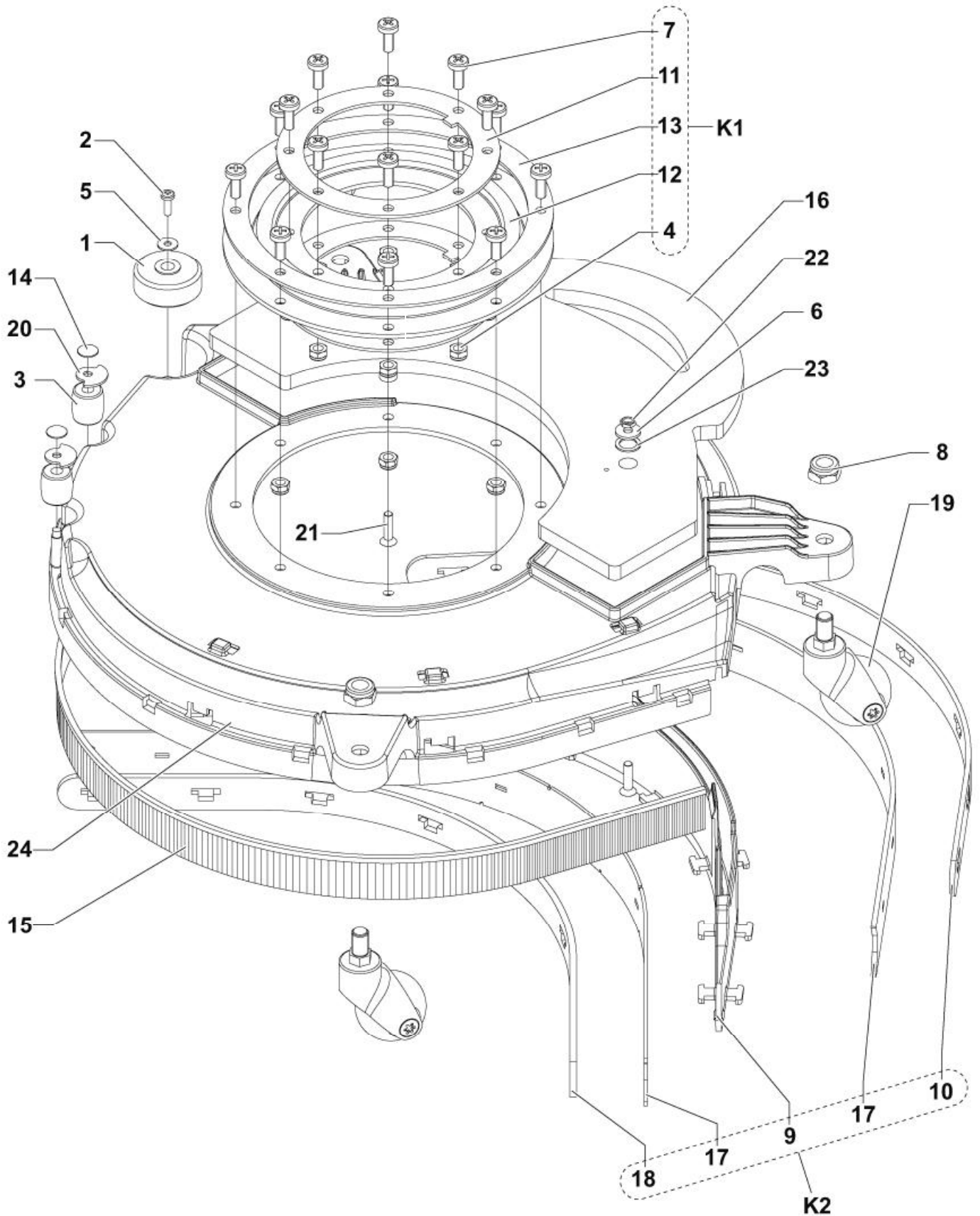
BRUSH DECK 02

SCRUBTEC 337

24-02-2014

ET-Liste-Nr. SC337130

15



BRUSH DECK 02

SCRUBTEC 337

24-02-2014

ET-Liste-Nr.
SC337130

16

Pos	Artikelnr.	Me	Beschreibung	
1	L08603027	1	Abweisrolle CA340	
3	L08603402	2	Roller	
10	9098399000	1	STRAP REAR SQUEEGEE 455MM/18	
14	9098473000	2	Sicherungsscheibe	
15	9098475000	1	Bürstenschutz	
16	9098477000	1	COUNTERWEIGHT	
17	9099027000	1	Gummi Lippen Satz	
18	9098568000	1	STRAP FRONT SQUEEGEE 455MM/18	
19	9099163000	3	Lenkrolle D42	
20	9098633000	2	PLATE BUMPER FIX	
24	9099160000	1	COVER BRUSH DECK	
K1	9099304000	1	COUPLING DECK KIT	Pos 4-7-11-12-13
K2	9098998000	1	Saugleistenkit	Pos 9-10-17-18
K3	9099305000	1	HARDWARE COVER DECK KIT	NOT SHOWN - Pos 2-5-6-8-21-22-23

EMPFOHLENE ERSATZTEILE

SCRUBTEC 337

24-02-2014

ET-Liste-Nr.
SC337150

17

Keine Zeichnung zur ET-Liste

EMPFOHLENE ERSATZTEILE

SCRUBTEC 337

24-02-2014

ET-Liste-Nr.
SC337/150

18

Pos	Artikelnr.	Me	Beschreibung	
	145 8513 000	1	Sicherung 30A	
	145 9852 000	1	Sicherung 5A	
	40263A	1	SWITCH DPST	
	909 5706 000	1	Sicherung 30A	
	9098111000	1	Saugmotor 12V 200W	
	9098112000	1	Magnetventil 12V	
	9098237000	2	Rad D.200mm	
0	9098319000	3	Abdichtung	
	9098327000	1	Abdichtung Saugmotor	
	9098375000	1	Timer	
	9098405000	1	Drehschalter 4 Pos.	
	9098424000	1	Magnetschalter 12V	
	9098441000	1	Relais 12V	
	9098589000	1	Schlauch Saugleiste	
	9098655000	1	Filter Saugmotor	
	9098697000	1	Wasserventil	
	9098760000	2	CONNECTOR 50A GREY	
	9098992000	1	Rohrleitungskit	
	9098998000	1	Saugleistenkit	
	9099027000	1	Gummi Lippen Satz	
	9099077000	1	GASKET RUBBER L.760MM PKD	
	9099163000	3	Lenkrolle D42	
	9099304000	1	COUPLING DECK KIT	
	9099544000	1	Getriebemotor 12V 260W KIT	
0	9099793000	1	Ladegerät 12V 12A EU	SEE TSB FC 2013-118
	L08812480	1	HUB,BRUSH	



heupel Reinigungstechnik GmbH

Gottlieb Daimler Str. 6
88214 Ravensburg

Tel: (049) 0751 - 35905-3

Fax: (049) 0751 - 35905-59

email: info@heupel-gmbh.de
www.heupel-gmbh.de

Shop: www.alto-wap.de

Heupel - Reinigungstechnik - Beratung, Verkauf, Service, *alles aus einer Hand.*