

# ATTIX 965-21 SD XC



Model:  
ATTIX 965-21 SD XC



Part List US-English

06-08-2009

**Nilfisk**  
**ALTO**  
*Why Compromise*



**heupel** **Reinigungstechnik GmbH**

Gottlieb Daimler Str. 6  
88214 Ravensburg  
email: [info@heupel-gmbh.de](mailto:info@heupel-gmbh.de)  
[www.heupel-gmbh.de](http://www.heupel-gmbh.de)

Tel. (+49) 0751-35905-3  
Fax. (+49) 0751-3590-59

**Shop: [www.nilfisk-alto-shop.eu](http://www.nilfisk-alto-shop.eu)**

# Table of Contents

ATTIX 965-21 SD XC



<b>Cabinet SD XC</b>	
<b>Base SD XC</b>	<b>5</b>
<b>Filter system</b>	<b>7</b>
<b>Motor and motor top SD XC</b>	<b>9</b>
<b>Container top and chassis SD XC</b>	<b>11</b>
<b>Container SD XC</b>	<b>13</b>
<b>Accessories</b>	<b>15</b>



**heupel** **Reinigungstechnik GmbH**

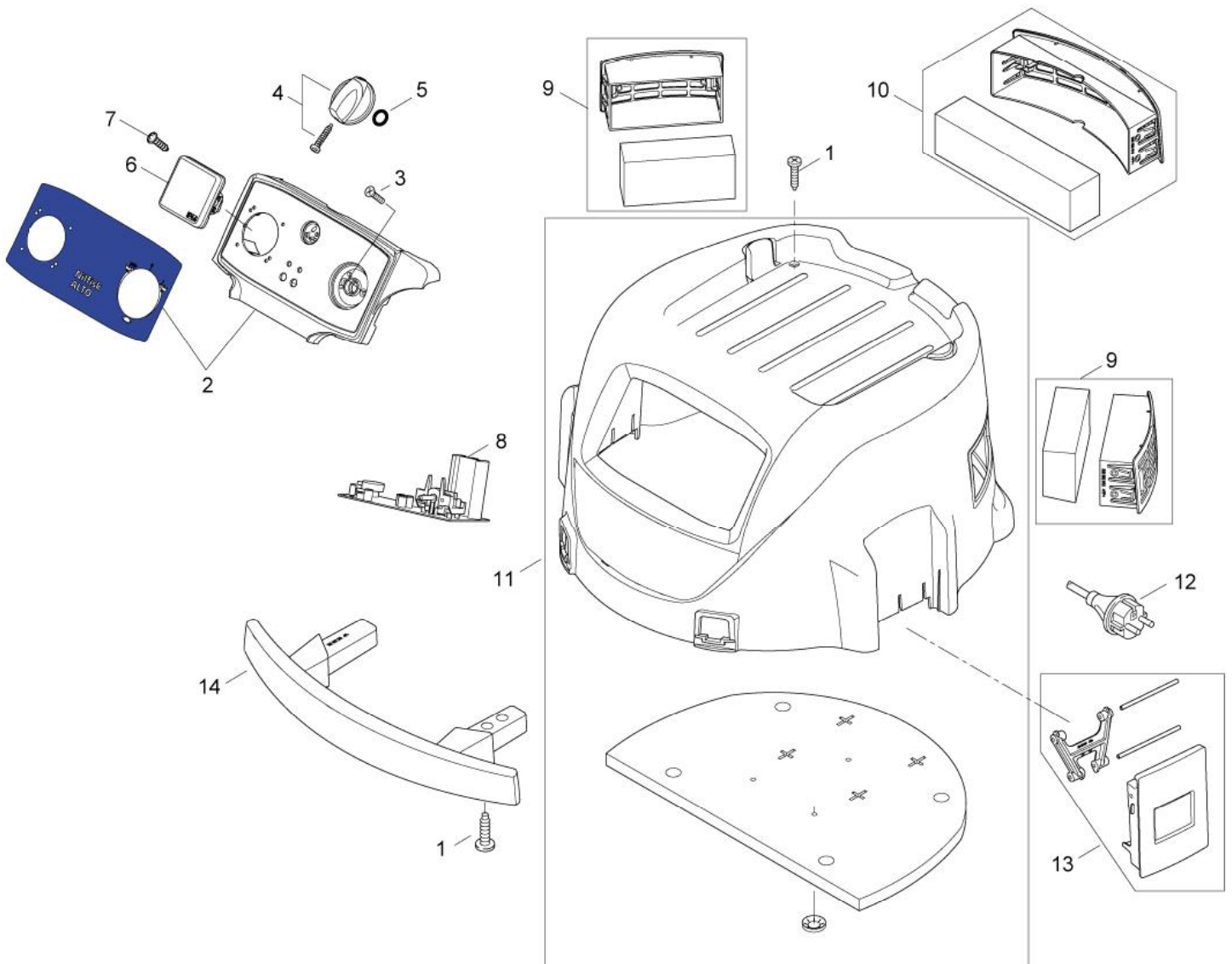
Gottlieb Daimler Str. 6  
88214 Ravensburg  
email: [info@heupel-gmbh.de](mailto:info@heupel-gmbh.de)  
[www.heupel-gmbh.de](http://www.heupel-gmbh.de)

**Tel. (+49) 0751-35905-3**  
**Fax. (+49) 0751-3590-59**

**Shop: [www.nilfisk-alto-shop.eu](http://www.nilfisk-alto-shop.eu)**

# Cabinet SD XC

ATTIX 965-21 SD XC



**heupel** Reinigungstechnik GmbH

Gottlieb Daimler Str. 6  
88214 Ravensburg  
email: [info@heupel-gmbh.de](mailto:info@heupel-gmbh.de)  
[www.heupel-gmbh.de](http://www.heupel-gmbh.de)

Tel. (+49) 0751-35905-3  
Fax. (+49) 0751-3590-59

Shop: [www.nilfisk-alto-shop.eu](http://www.nilfisk-alto-shop.eu)

# Cabinet SD XC

ATTIX 965-21 SD XC



Pos	Part no.	Qty	Description	
1	302003319	1	SCREW KIT ATTIX/IVB	
2	302003381	1	DISPLAY AUTO-0-I+SD ATTIX9	4005337136
3	18274	2	COUNTERSUNK SCREW M4X12	4005337182
4	909100204	1	ROTARY KNOB 6X5 BLUE	4005337689
5	9868	1	O RING DIA 10X2,5	4005337098
6	302000151	1	SOCKET 2-P.+PE 16A/250V -DE	4005337008
7	11256	4	SCREW 3.5X18	4005337112
8	107401081	1	ELEKTRONIK AUTO-0-I KIT	7319519675
9	302003397	2	CARTRIDGE ATTIX9 / IVB9	4005337136
10	302003398	1	EXHAUST AIR FILTER ATTIX9/IVB9	4005337136
11	302003425	1	HOOD KIT ATTIX 9 XC	4005337139
12	302002787	1	POWERCORD 1.5X10.8M CEE7 EU	4005337129
12	302002788	1	LTG NETZ H07RN-F3G1.5X10.6M	4005337129
12	302002789	1	CABLE 10.6 METER CH	4005337158
12	302002790	1	LTG NETZ H07BQ-F3G2.5X10.8MCEE YELLOW GB	4005337129
12	302002791	1	WIRE NETZ H07RN-F3G1.0X10.8M SRAF1962 D	4005337158
13	302003383	1	CLAMP KIT ATTIX 9/IVB 9	4005337136
14	302002590	1	HANDLE BAR ATTIX 9 BLACK PP	4005337128



**heupel** Reinigungstechnik GmbH

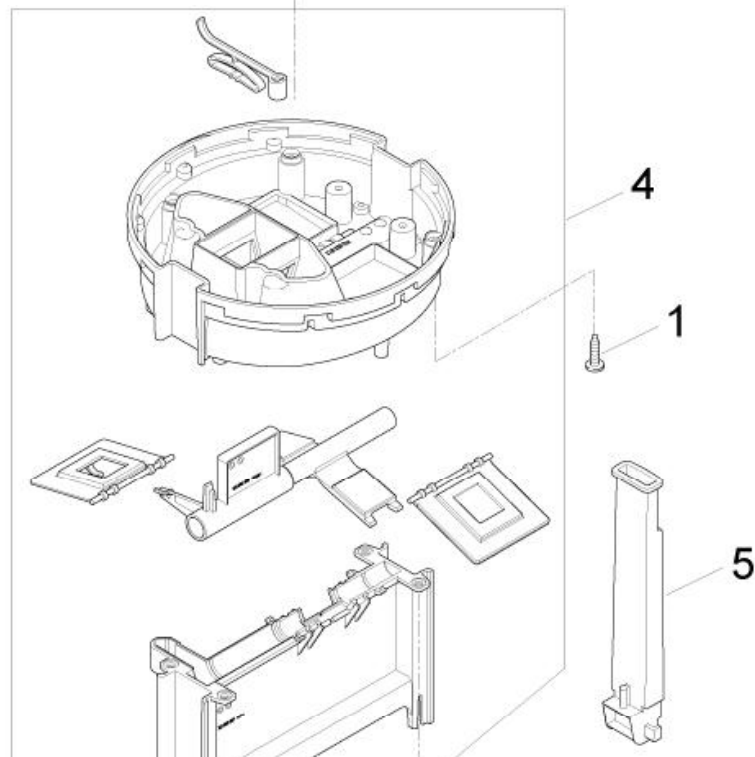
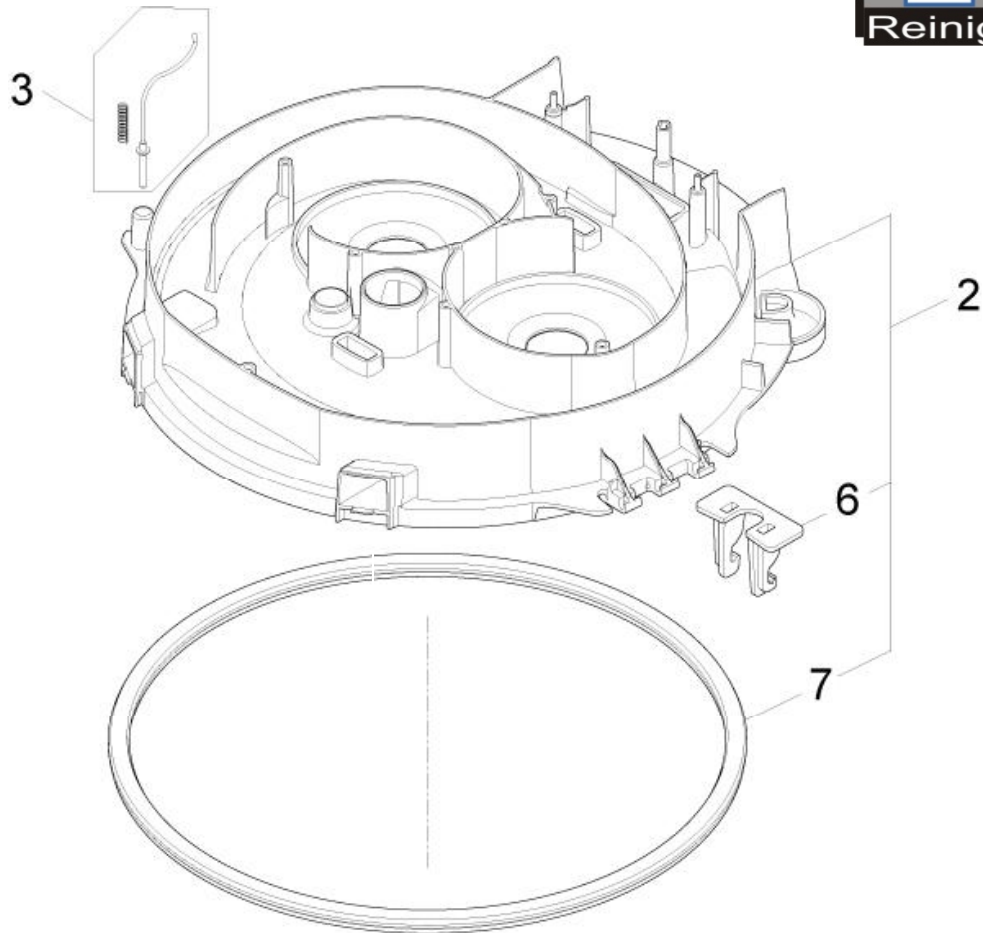
Gottlieb Daimler Str. 6  
88214 Ravensburg  
email: [info@heupel-gmbh.de](mailto:info@heupel-gmbh.de)  
[www.heupel-gmbh.de](http://www.heupel-gmbh.de)

Tel. (+49) 0751-35905-3  
Fax. (+49) 0751-3590-59

**Shop: [www.nilfisk-alto-shop.eu](http://www.nilfisk-alto-shop.eu)**

# Base SD XC

ATTIX 965-21 SD XC



**heupel** Reinigungstechnik GmbH

Gottlieb Daimler Str. 6  
88214 Ravensburg  
email: [info@heupel-gmbh.de](mailto:info@heupel-gmbh.de)  
[www.heupel-gmbh.de](http://www.heupel-gmbh.de)

Tel. (+49) 0751-35905-3  
Fax. (+49) 0751-3590-59

Shop: [www.nilfisk-alto-shop.eu](http://www.nilfisk-alto-shop.eu)

# Base SD XC

ATTIX 965-21 SD XC



Pos	Part no.	Qty	Description	
1	302003319	1	SCREW KIT ATTIX/MB	
2	302003598	1	BASE PLATE XC	4005337158
3	302002678	1	CONTACT SPRING WITH WIRE	4005337128
4	302003422	1	FILTER CLEAN SYSTEM XC	4005337139
5	302000514	2	GASKET	4005337023
6	302000512	1	FIXTURE 72X32X52	4005337020
7	302001432	1	GASKET CONTAINER	4005337067



**heupel** Reinigungstechnik GmbH

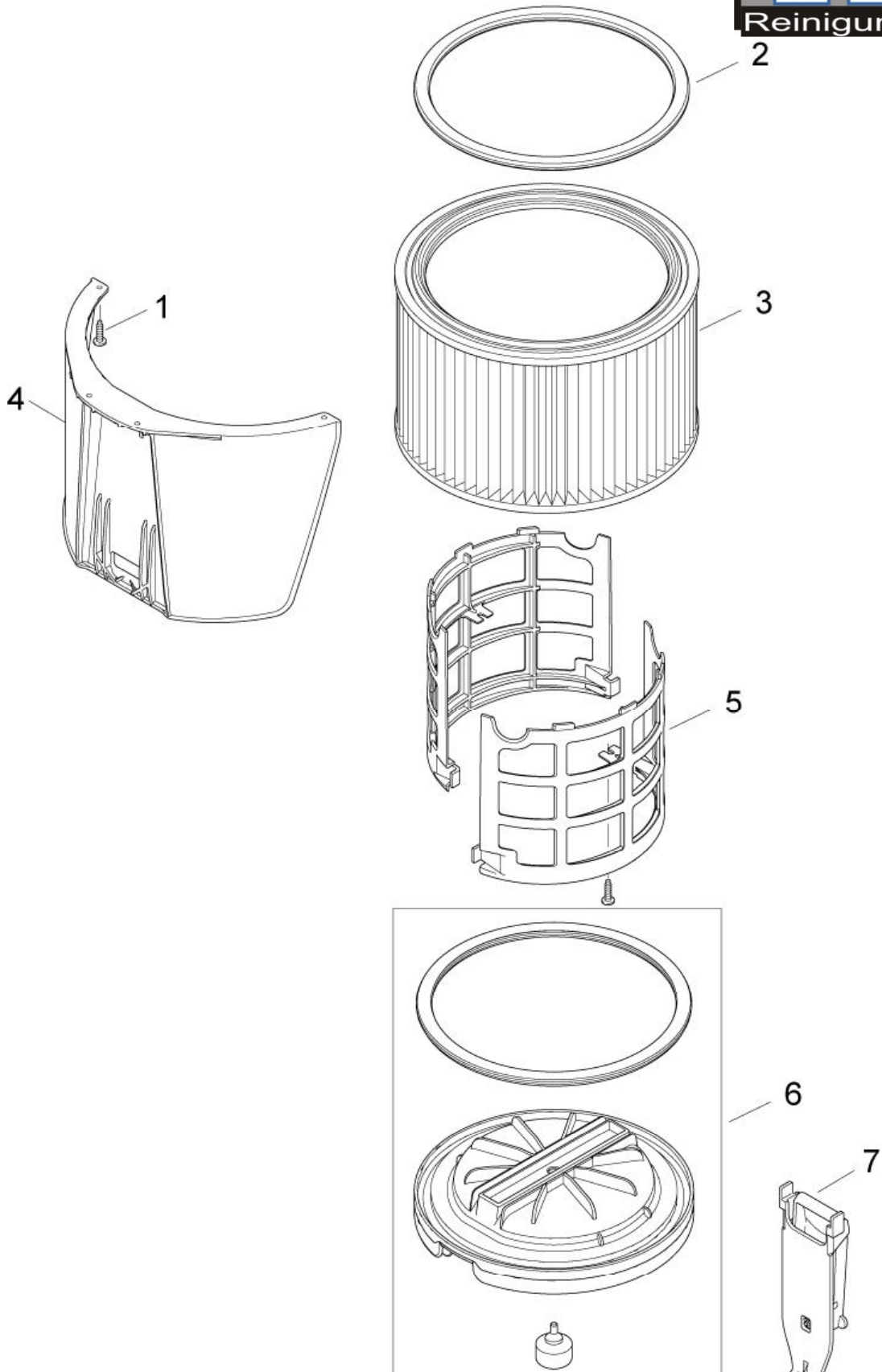
Gottlieb Daimler Str. 6  
88214 Ravensburg  
email: [info@heupel-gmbh.de](mailto:info@heupel-gmbh.de)  
[www.heupel-gmbh.de](http://www.heupel-gmbh.de)

Tel. (+49) 0751-35905-3  
Fax. (+49) 0751-3590-59

**Shop: [www.nilfisk-alto-shop.eu](http://www.nilfisk-alto-shop.eu)**

# Filter system

ATTIX 965-21 SD XC



**heupel** Reinigungstechnik GmbH

Gottlieb Daimler Str. 6  
88214 Ravensburg  
email: [info@heupel-gmbh.de](mailto:info@heupel-gmbh.de)  
[www.heupel-gmbh.de](http://www.heupel-gmbh.de)

Tel. (+49) 0751-35905-3  
Fax. (+49) 0751-3590-59

Shop: [www.nilfisk-alto-shop.eu](http://www.nilfisk-alto-shop.eu)

# Filter system

ATTIX 965-21 SD XC



Pos	Part no.	Qty	Description		
1	302003319	1	SCREW KIT ATTIX/MB	BASIC	
1	302003376	1	SCREW KIT	SD XC	4005337136
2	302000697	1	GASKET FILTER		4005337690
3	302000751	1	FILTER ELEMENTD275X1853		4005337020
4	302000383	1	DEFLECTOR 318X180X212		4005337020
5	302000385	1	FILTER SUPPORT CAGE 216X		4005337020
6	302000844	1	FILTER SURFACE PLATE Ø251X74		4005337027
7	302000702	1	TENSION JACK		4005337020



**heupel** Reinigungstechnik GmbH

Gottlieb Daimler Str. 6  
88214 Ravensburg  
email: [info@heupel-gmbh.de](mailto:info@heupel-gmbh.de)  
[www.heupel-gmbh.de](http://www.heupel-gmbh.de)

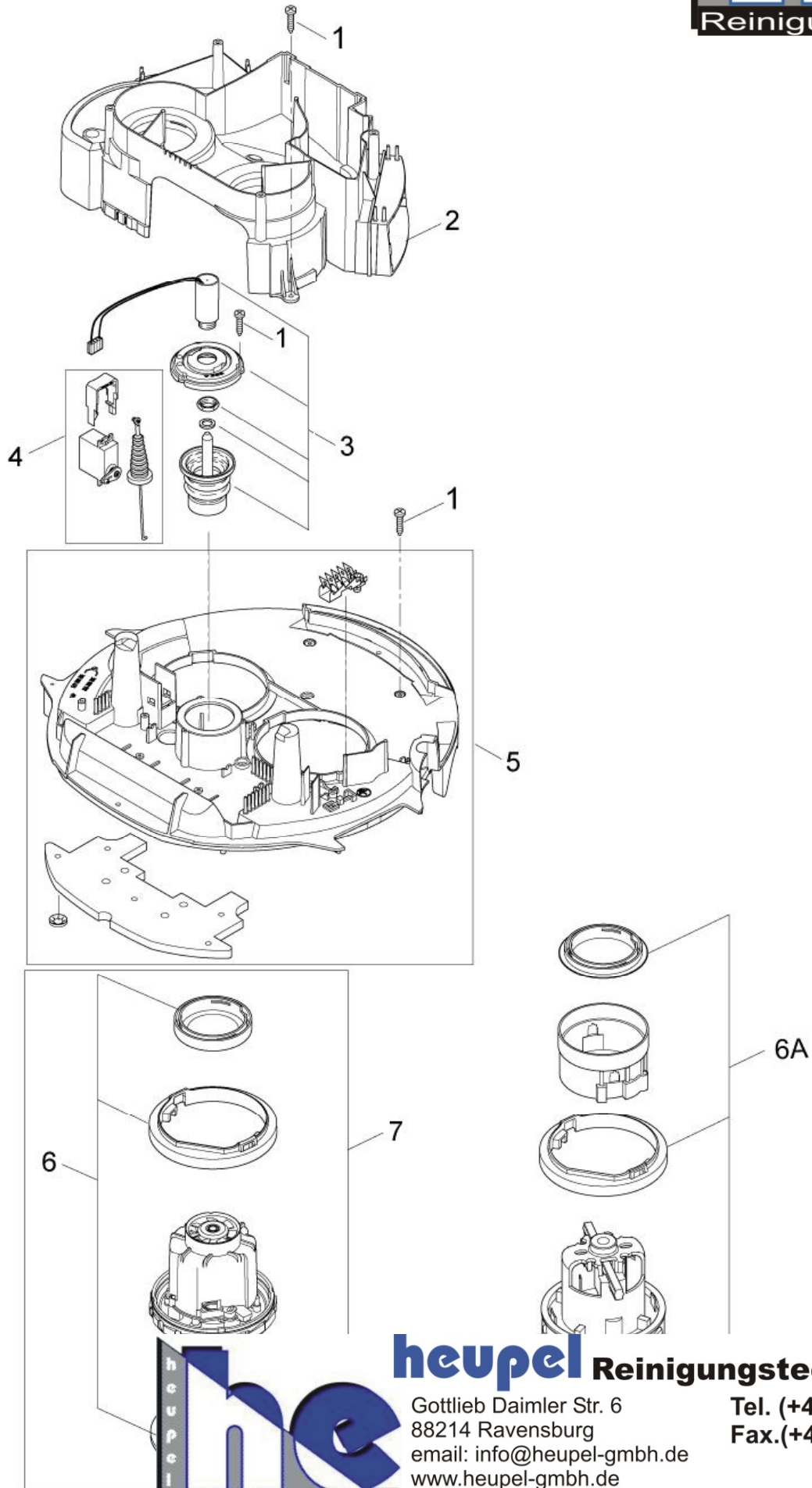
Tel. (+49) 0751-35905-3  
Fax. (+49) 0751-3590-59

**Shop: [www.nilfisk-alto-shop.eu](http://www.nilfisk-alto-shop.eu)**



# Motor and motor top SD XC

ATTIX 965-21 SD XC



**heupel** Reinigungstechnik GmbH

Gottlieb Daimler Str. 6  
88214 Ravensburg  
email: [info@heupel-gmbh.de](mailto:info@heupel-gmbh.de)  
[www.heupel-gmbh.de](http://www.heupel-gmbh.de)

Tel. (+49) 0751-35905-3  
Fax. (+49) 0751-3590-59

Shop: [www.nilfisk-alto-shop.eu](http://www.nilfisk-alto-shop.eu)

# Motor and motor top SD XC

ATTIX 965-21 SD XC



Pos	Part no.	Qty	Description	
1	302003319	1	SCREW KIT ATTIX/MB	
2	302002582	1	AIRGUIDE ATTIX 9	4005337128
3	107400291	1	MAGNET 230V	4005337153
4	302003421	1	SERVO MOTOR	4005337139
5	302003423	1	CLAMPING PLATE XC	4005337139
6	302003385	1	SEALING KIT R	4005337136
7	302003384	1	TURBINE KIT 1200 230	4005337136
7	302003386	1	TURBINE KIT 1000 230	4005337136
7	302003388	1	TURBINE KIT 1000 120	4005337136
6A	302003390	1	SEALING KIT S	4005337136



**heupel** Reinigungstechnik GmbH

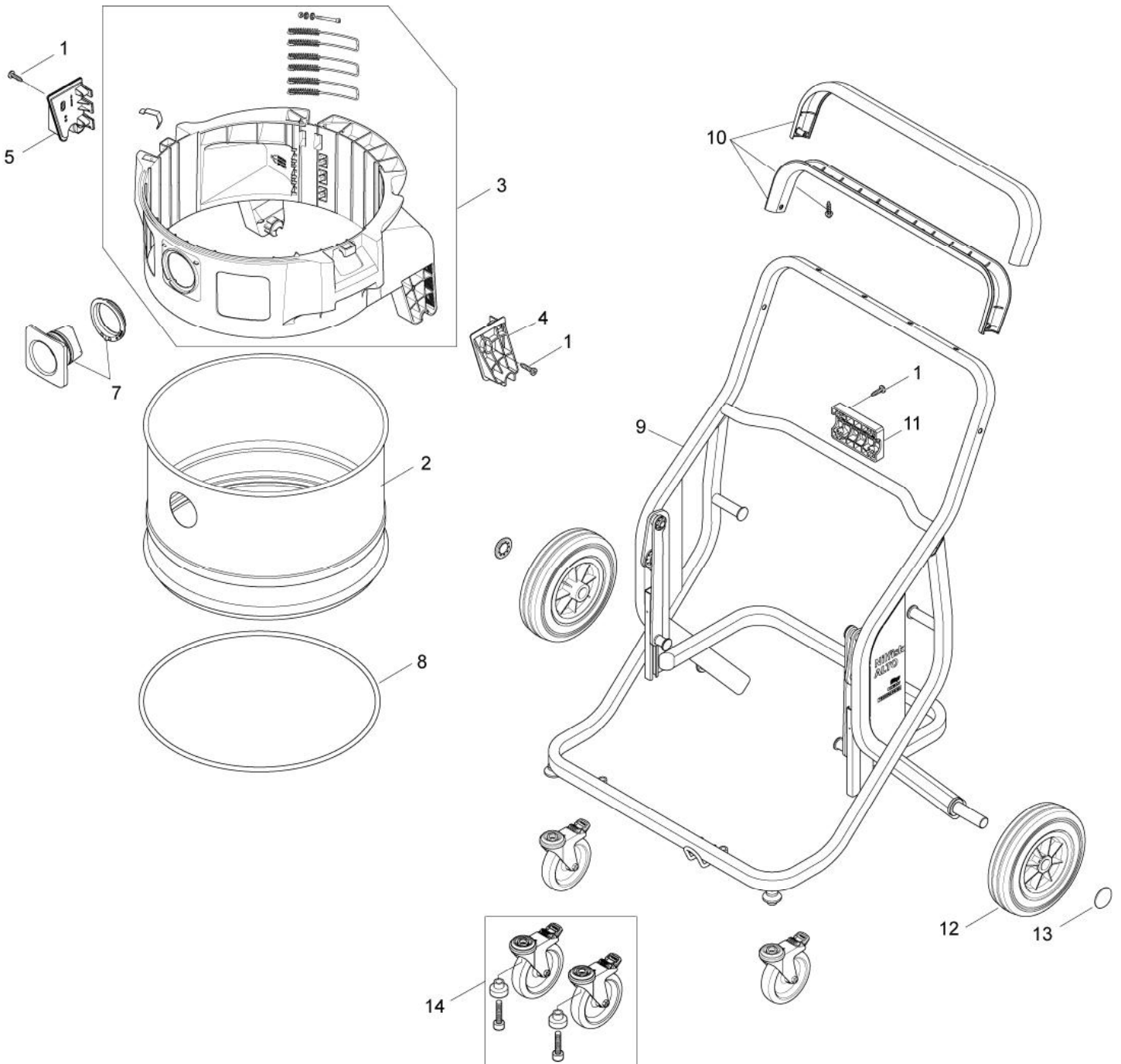
Gottlieb Daimler Str. 6  
88214 Ravensburg  
email: [info@heupel-gmbh.de](mailto:info@heupel-gmbh.de)  
[www.heupel-gmbh.de](http://www.heupel-gmbh.de)

Tel. (+49) 0751-35905-3  
Fax. (+49) 0751-3590-59

Shop: [www.nilfisk-alto-shop.eu](http://www.nilfisk-alto-shop.eu)

# Container top and chassis SD X

ATTIX 965-21 SD XC



**heupel** Reinigungstechnik GmbH

Gottlieb Daimler Str. 6  
88214 Ravensburg  
email: [info@heupel-gmbh.de](mailto:info@heupel-gmbh.de)  
[www.heupel-gmbh.de](http://www.heupel-gmbh.de)

Tel. (+49) 0751-35905-3  
Fax. (+49) 0751-3590-59

Shop: [www.nilfisk-alto-shop.eu](http://www.nilfisk-alto-shop.eu)

# Container top and chassis SD X

ATTIX 965-21 SD XC



Pos	Part no.	Qty	Description	
1	302003319	1	SCREW KIT ATTIX/IVB	
2	302002580	1	CONTAINER RING	4005337128
3	302003419	1	BELT WITH RING KIT	4005337140
4	302002895	1	FITTING PLATE RH /ATTIX 9/	4005337129
5	302002896	1	FITTING PLATE LH /ATTIX 9/	4005337129
7	302003380	1	INLET FITTING KIT ATTIX 9/IVB9	4005337136
8	302002608	1	GASKET D8 X D394	4005337129
9	302003087	1	PREASSEMBLED ATTIX 9 SD CHASSI	4005337130
10	302003418	1	HANDLE KIT	4005337140
11	302002769	1	SD CHASSIS MOUNT ATTIX 9	4005337158
12	302000334	2	WHEEL D200X45	4005337674
13	3750	2	CAP Ø20	4005337037
14	107401054	2	CASTOR TURNABLE WITH BRAKE KIT	7319519676



**heupel** Reinigungstechnik GmbH

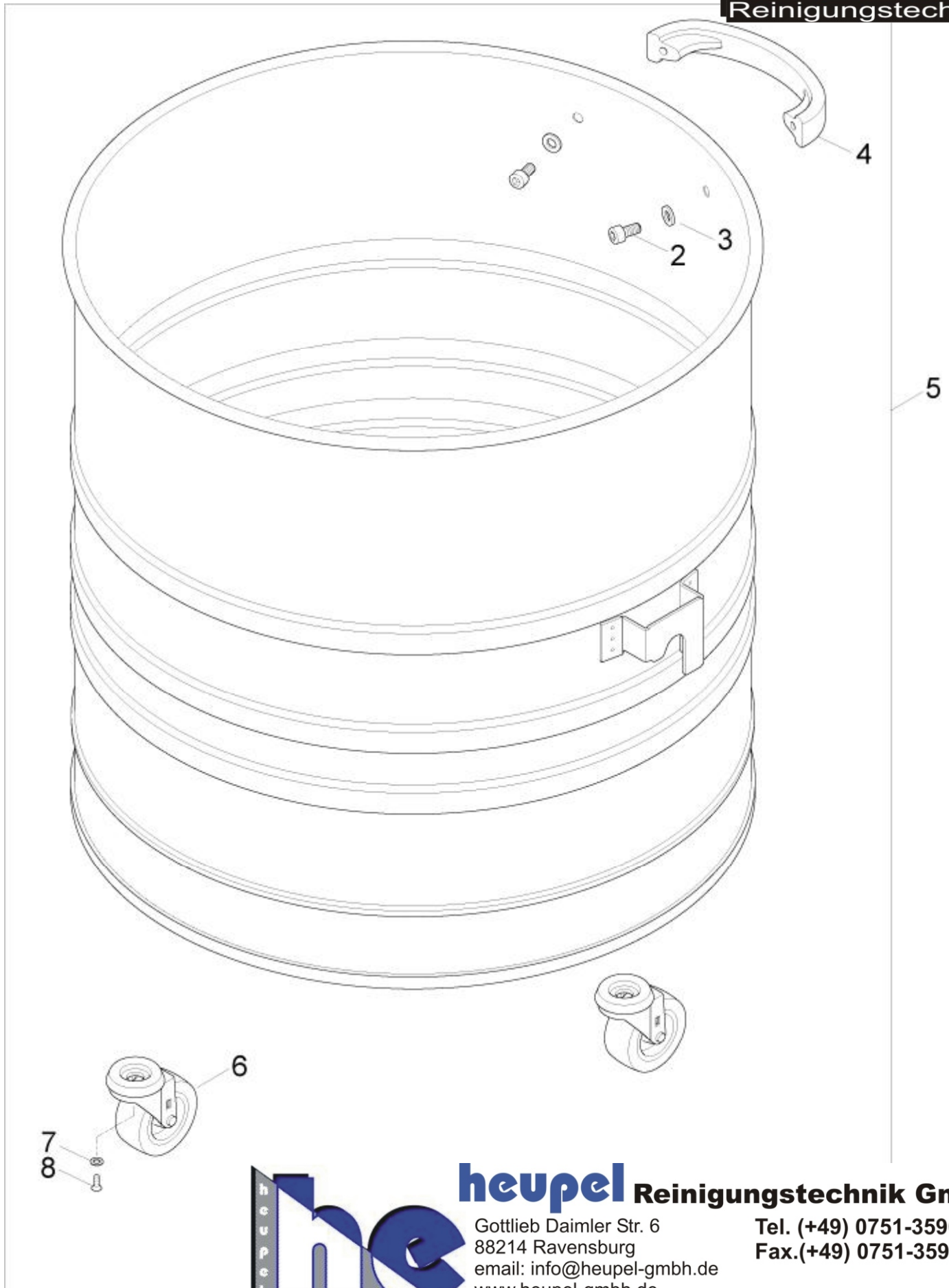
Gottlieb Daimler Str. 6  
88214 Ravensburg  
email: [info@heupel-gmbh.de](mailto:info@heupel-gmbh.de)  
[www.heupel-gmbh.de](http://www.heupel-gmbh.de)

Tel. (+49) 0751-35905-3  
Fax. (+49) 0751-3590-59

**Shop: [www.nilfisk-alto-shop.eu](http://www.nilfisk-alto-shop.eu)**

# Container SD XC

ATTIX 965-21 SD XC



**heupel** Reinigungstechnik GmbH

Gottlieb Daimler Str. 6  
88214 Ravensburg  
email: [info@heupel-gmbh.de](mailto:info@heupel-gmbh.de)  
[www.heupel-gmbh.de](http://www.heupel-gmbh.de)

Tel. (+49) 0751-35905-3  
Fax. (+49) 0751-3590-59

Shop: [www.nilfisk-alto-shop.eu](http://www.nilfisk-alto-shop.eu)

# Container SD XC

ATTIX 965-21 SD XC



Pos	Part no.	Qty	Description	
1	302003319	1	SCREW KIT ATTIX/MB	
2	14664	2	LENS HEAD COUNTERS. SCREW	4005337146
3	14805	2	WASHER 6.4X1.6	4005337148
4	14663	1	BOW-TYPE HANDLE M6 TURBO-D	4005337146
5	302003127	1	COINTAINER ATTIX9 SD COMPLETE	4005337131
6	29714	3	CASTER Ø75 H100 Ø10.3	4005337297
7	6100718	3	WASHER 10X16X1	5701715063
8	24310	3	COUNTERSUNK SCREW M8X16	4005337243



**heupel** Reinigungstechnik GmbH

Gottlieb Daimler Str. 6  
88214 Ravensburg  
email: [info@heupel-gmbh.de](mailto:info@heupel-gmbh.de)  
[www.heupel-gmbh.de](http://www.heupel-gmbh.de)

Tel. (+49) 0751-35905-3  
Fax. (+49) 0751-3590-59

Shop: [www.nilfisk-alto-shop.eu](http://www.nilfisk-alto-shop.eu)

## Accessories

ATTIX 965-21 SD XC



No Drawing For Part List



**heupel** Reinigungstechnik GmbH

Gottlieb Daimler Str. 6  
88214 Ravensburg  
email: [info@heupel-gmbh.de](mailto:info@heupel-gmbh.de)  
[www.heupel-gmbh.de](http://www.heupel-gmbh.de)

Tel. (+49) 0751-35905-3  
Fax. (+49) 0751-3590-59

**Shop: [www.nilfisk-alto-shop.eu](http://www.nilfisk-alto-shop.eu)**

# Accessories

## ATTIX 965-21 SD XC



Pos	Part no.	Qty	Description	
0	302001480	1	DISPOSAL BAG SET5 ATTIX 7	
1	302001612	1	CHIP COLLECTION BASKET	4005337068
2	302002624	1	ACCESSORY BASKET	4005337128
3	302002621	1	EXHAUST FITTING D50 ATTIX 9	4005337128
4	107400041	1	MOTOR COOLING AIR FILTER ATTIX9/IVB9	Type 22 4005337147
5	302002622	1	FORKLIFT ACCESSORY	4005337128
6	302003127	1	COINTAINER A TTIX9 SD COMPLETE	4005337131
7	302002796	1	SUCTION HOSE 38X4000	4005337129
8	302002888	1	EXTENSION TUBES R38 2X500 MM	4005337146
9	302002889	1	CURVED HAND TUBE	4005337129
10	302002890	1	CREVICE NOZZLE	4005337129
11	302002884	1	TOOL ADAPTER 38/50 MM	4005337129
12	302002798	1	FLOOR NOZZLE 38 MM BASIC	4005337129
13	302000751	1	FILTER ELEMENTD275X1853	4005337020
15	302002892	1	FLEECE FILTER BAG PU 5 PCS	4005337129
7a	107400049	1	MULTIFIT ADAPTER SET	for 3020002796 4005337147



**heupel** Reinigungstechnik GmbH

Gottlieb Daimler Str. 6  
88214 Ravensburg  
email: [info@heupel-gmbh.de](mailto:info@heupel-gmbh.de)  
[www.heupel-gmbh.de](http://www.heupel-gmbh.de)

Tel. (+49) 0751-35905-3  
Fax. (+49) 0751-3590-59

**Shop: [www.nilfisk-alto-shop.eu](http://www.nilfisk-alto-shop.eu)**