

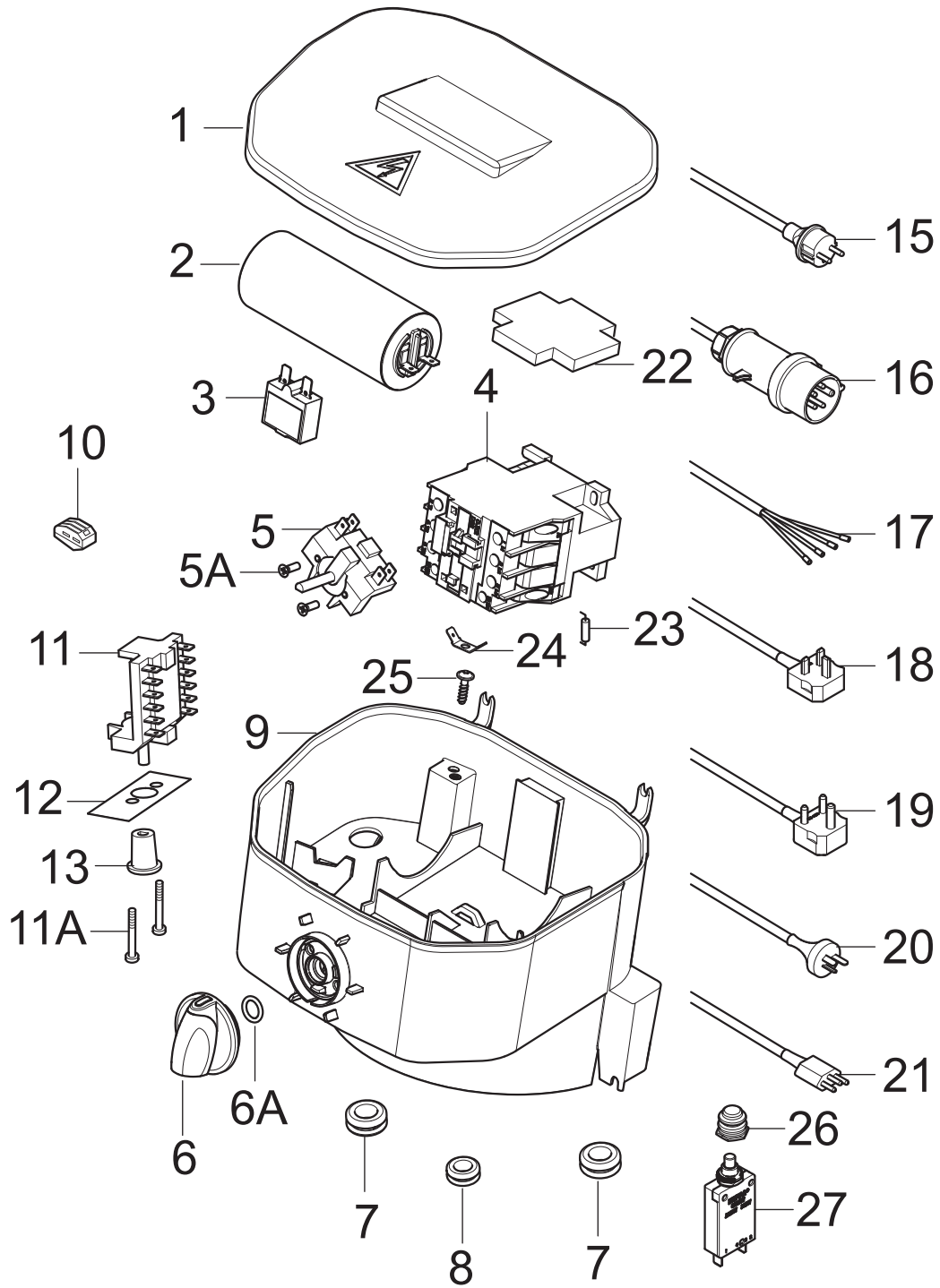
PARTS LIST



2016.01.13

TABLE OF CONTENTS

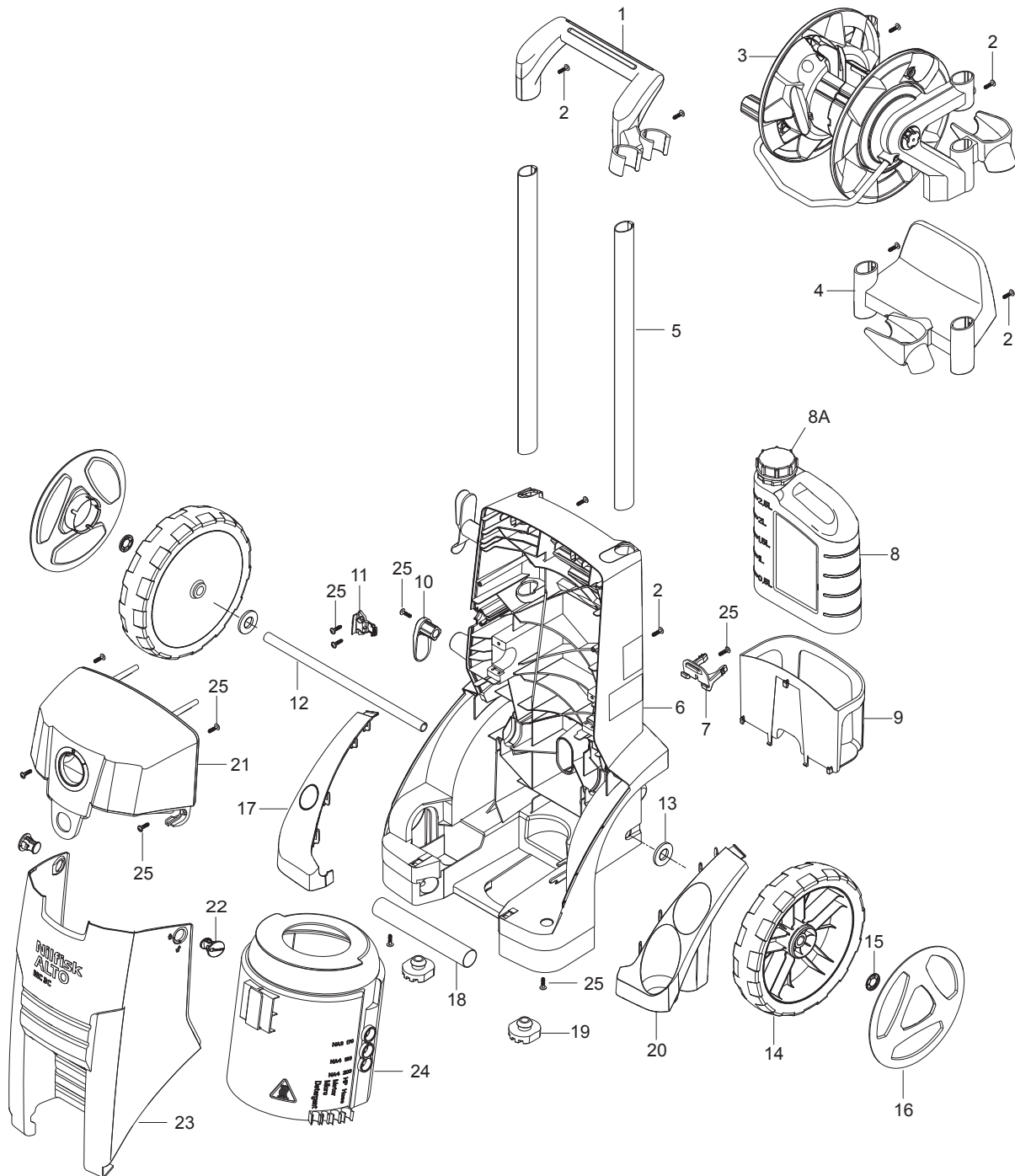
Electric box	1
Overview	3
Hose reel	5
Pump with easy start and without injector	7
Recommended spare part	9
Motor MC3	11
Accessories	13



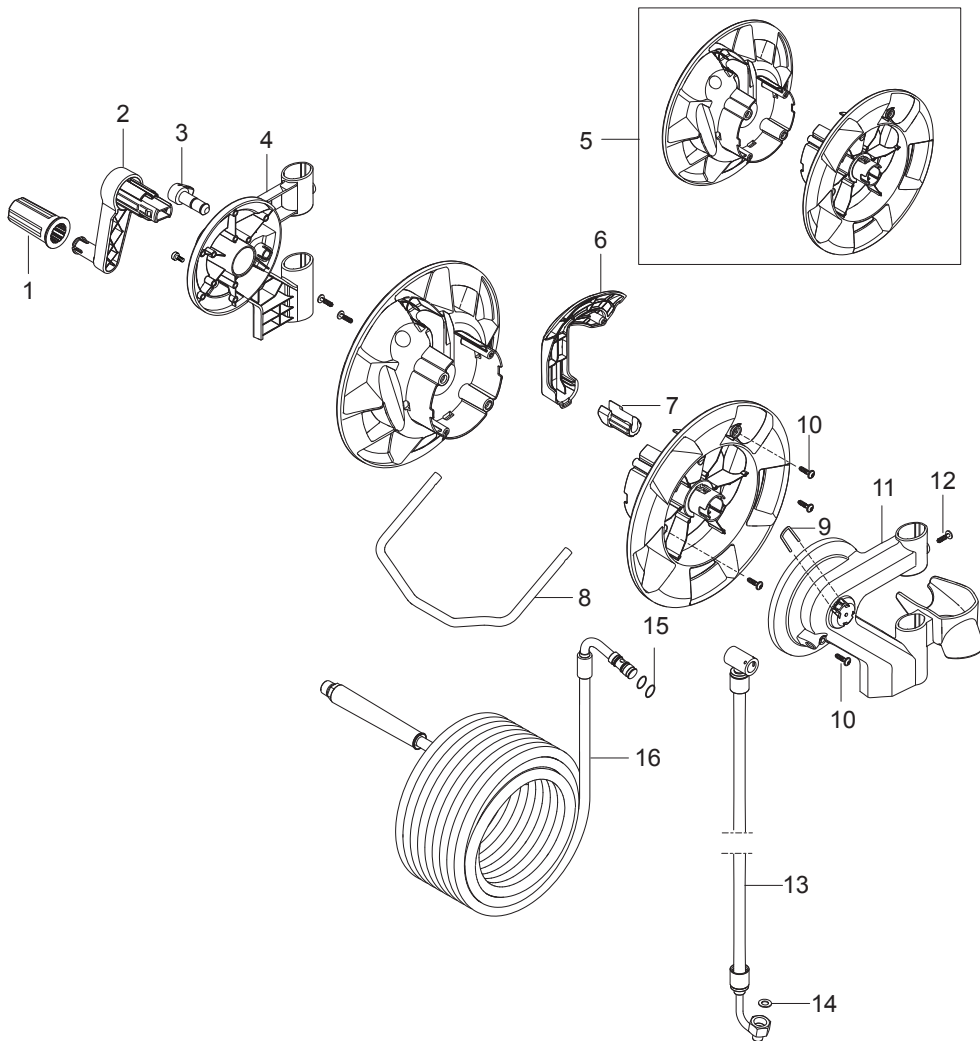
Pos.	Artikel-Nr.	Menge	Variante	Notes
1	107142547	1	E-BOX LID MC 3-4	
2	301002320	1	Kondensator 70 µF	
3	301002322	1	Sicherung 16 A	
3	107142548	1	FUSE 16 AMPS TYPE 2-5700-IG2-P10-DD-16A	
4	103822300	1	Schütz CJX2-D12-V7 400V	
4	103822303	1	Schütz CJX2-D18 18A 400V 3P+NO	
5	301001058	1	Schalter	
5A	18274	2	Senkschraube M4x12	
6	909100204	1	Drehknopf 6x5 blau	
6A	9868	1	O-Ring 10x2,5	
7	301002284	2	Tülle	
8	3803772	1	Tülle	
9	107142550	1	E-BOX BOTTOM MC 3-4	
10	301001229	1	Klemmleiste	
11	64579	1	Drehschalter Stern-Dreiec	
11A	3389	2	Zylinderschraube M4 x 20 ISO 1207 zn	
12	107142551	1	LABEL 230-400V CHANGE-OVER 74X28	
13	64580	1	Drehknopf	
15	107142552	1	POWER CORD - H07RN-F 3G1.5X6M. CEE 7 1 P	
16	107142553	1	POWER CORD - H07RN-F 4G1.5X6M. CEE 5 3 P	
17	107142554	1	POWER CORD - H07RN-F 4G1.5X6M. Y/D 3PH	
18	107142555	1	POWER CORD H07RN-F 3G1.5X6M BS1363 1PH	
19	107142556	1	POWER CORD H07RN-F 3G1.5X6M SABS 164 1	
20	107142557	1	POWER CORD H07RN-F 3G1.5X6M AS 3112 1P	
21	107142558	1	POWER CORD H07RN-F 3G1.5X6M NBR 14136	
22	64773	1	Hilfskontakt 100-SBL11	
23	301000074	1	Widerstand 470 ohm/3W	
24	107142559	1	FASTON TAB TERMINAL DOUBLE STUD 45°	
25	107141838	1	SCHRAUBE K50X18 WN1451 SCHWARZ TORX 20	
26	107142564	1	FUSE CAP ETA TYPE X 200 801 08 (UNITOR)	[1]
27	107142548	1	FUSE 16 AMPS TYPE 2-5700-IG2-P10-DD-16A	[1]

Part Notes:

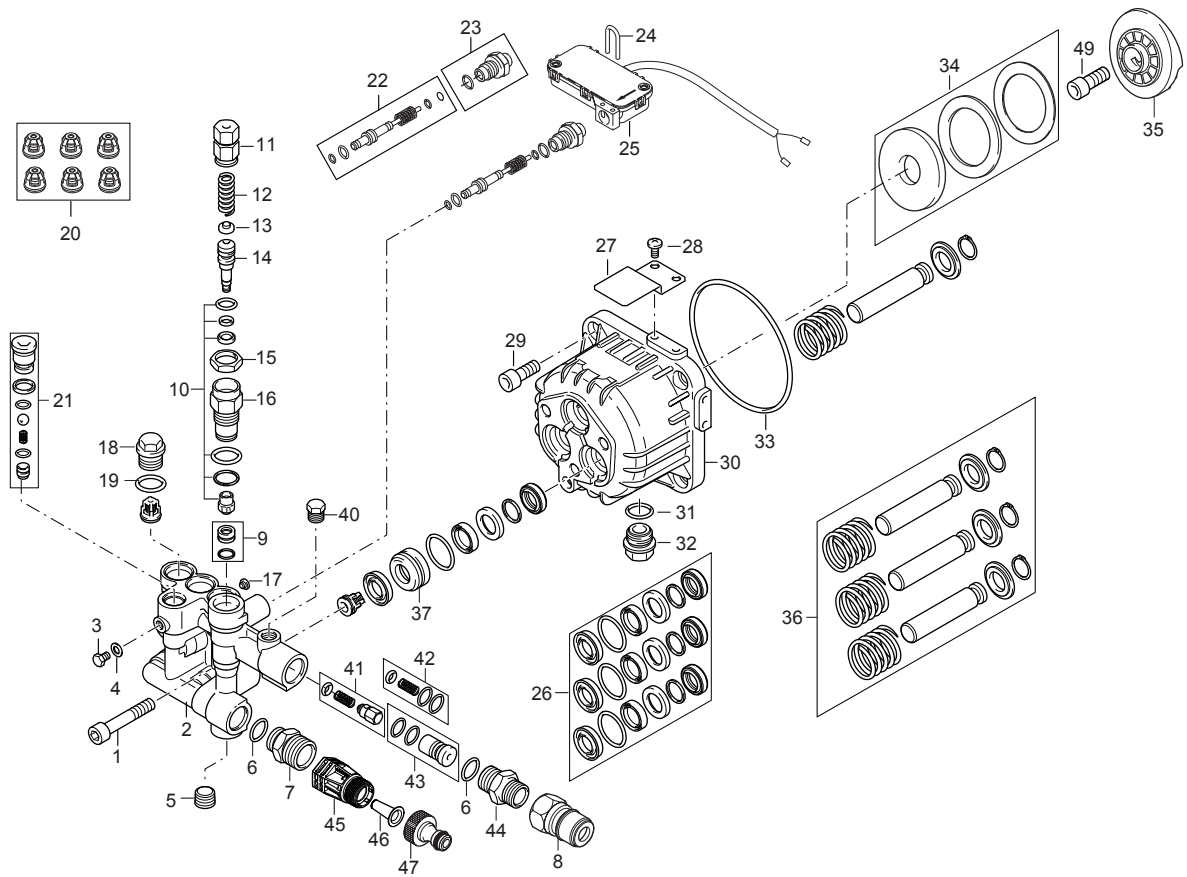
[1] - UNITOR



Pos.	Artikel-Nr.	Menge	Variante	Notes
1	107142500	1	HANDLE MC 3-4	
2	909100425	4	1x Schraube M6X12	
3	107142536	1	HOSE REEL MC 3-4	
4	107142501	1	HOSE HOOK MC 3-4	
5	107142502	2	ALU PROFILE 25X35 MC 3-4	
6	107142503	1	CHASSIS MC 3-4	
7	107142504	1	HOLDER F. FOAM GUN	
8	107141635	1	Reinigungsmitteltank	
8A	107141664	1	Deckel	
9	107142505	1	Halterung Kanister	
10	107142507	1	CABLE HOOK MC 3-4	
11	107142509	1	CABLE CLAMP MC 3-4	
12	301002304	1	Achse	
13	909100426	2	2x Beilagscheibe DIN34815	
14	107142510	2	WHEEL ?250x55	
15	11710	2	Klemmring 15	
16	107142511	2	WHEEL CAP F. WHEEL ?250X55 NILFISK	
17	107142515	1	WHEEL CABINET RIGHT MC 3-4	
18	107142517	1	HANDLE - ALU BAR	
19	301002301	2	Stützfuß	
20	107142518	1	WHEEL CABINET LEFT MC 3-4	
21	107142520	1	CABINET E-BOX MC 3-4	
22	301000584	2	Verriegelung	
23	107142522	1	CABINET MC 3C	
24	107142525	1	FAN CAP	
25	107141838	10	SCHRAUBE K50X18 WN1451 SCHWARZ TORX 20	



Pos.	Artikel-Nr.	Menge	Variante	Notes
0	107145803	1	Schlauchtrommel Set für M	
1	107142530	1	ROTATING HANDLE F. HOSE REEL	
2	107142532	1	HANDLE FOR HOSE REEL MC 3-4	
3	107142533	1	STOPPER PIN CPL. F. HOSE REEL MC 3-4	
4	107142535	1	ADAPTOR FOR HOSE REEL RIGHT MC 3-4	
5	107142536	1	HOSE REEL MC 3-4	
6	107142537	1	HOSE COVER MC 3-4	
7	107142538	1	FITTING GUIDE F. HOSE REEL MC 3-4	
8	107142539	1	HOSE GUIDE MC 3-4	
9	128500592	1	LOCK KIT	
10	107141838	5	SCHRAUBE K50X18 WN1451 SCHWARZ TORX 20	
11	107142540	1	ADAPTOR FOR HOSE REEL LEFT MC 3-4	
12	909100425	2	1x Schraube M6X12	
13	107142541	1	CONNECTION HOSE DN8 F. HOSE REEL MC 3-4	
14	65466	1	Dichtring 8,0x15,0x1,0 DI	
15	3004321	2	O-Ring 10,0 x 2,0 PUR90	
16	107142542	1	HP-HOSE DN6X15M MC 3-4	



Pos.	Artikel-Nr.	Menge	Variante	Notes
1	31000942	1	SCREW M8x45	
2	31000943	1	PUMP HEAD	
3	301003035	1	Verschlussschraube	
4	31000944	2	WASHER	
5	31000645	1	PLUG 1/4 INCH G	
6	31000945	1	O-RING D14x2	
7	31000946	1	FITTING 1/2INCH G M - 3/8INCH G M	
8	1600493	1	Anschlussstück	
9	31000930	1	VALVE SEAT KIT	
10	31000929	1	GASKET KIT FOR UNLOADER	
11	31000947	1	SCREW	
12	31000649	1	SPRING 10.62X6.08X2.8	
13	31000630	1	SPRING PLATE	
14	31000948	1	PISTON	
15	31000949	1	NUT	
16	31000950	1	PISTON GUIDE	
17	31000951	1	PLUG	
18	31000952	1	PLUG	
19	31000953	1	O-RING D13.5x1.8	
20	31000937	1	INLET & OUTLET VALVE KIT	
21	31000928	1	EASY START KIT	
22	31000986	1	PISTON KIT FOR MICROSWITCH	
23	31000987	1	FITTING KIT FOR MICROSWITCH	
24	31000954	1	CLAMP FOR SWITCHBOX	
25	31000955	1	SWITCHBOX ASSEMBLY	
26	31000935	3	GASKET KIT	
27	31000956	1	SUPPORT	
28	31000957	1	SCREW 5x10 UNI 8110	
29	301003063	1	Schraube 5x25	
30	31000958	1	PUMP BODY	
31	31000597	1	O-RING Ø14X1.78	
32	31000959	1	PLUG 3/8INCH G PLASTIC	
33	31001001	1	O-RING Ø92X3	
34	31000936	1	BEARING KIT	
35	31000964	1	WOBBLE DISC 9.5 DEG	[1]
35	31000962	1	WOBBLE DISC 10 DEG	[2]
35	31000963	1	WOBBLE DISC 11.5 DEG	[3]
36	31000938	1	PISTON KIT D14	
37	31000968	1	PISTON GUIDE D14	
40	31000966	1	PLUG	
41	31000932	1	PRESSURE VALVE KIT	
42	31000941	1	KIT FOR INJECTOR	
43	31000933	2	INJECTOR ALTO	
44	31000969	1	FITTING 3/8INCH GM - 3/8INCH G M	
45	107142566	1	WATER INLET TUBE	
46	101117926	1	Sieb	
47	1402809	1	Schlauchstutzen/Nippel	
49	1803337	1	Zylinderschraube M8x 25	
49	1812296	1	SCREW M8X25 STAINLESS	

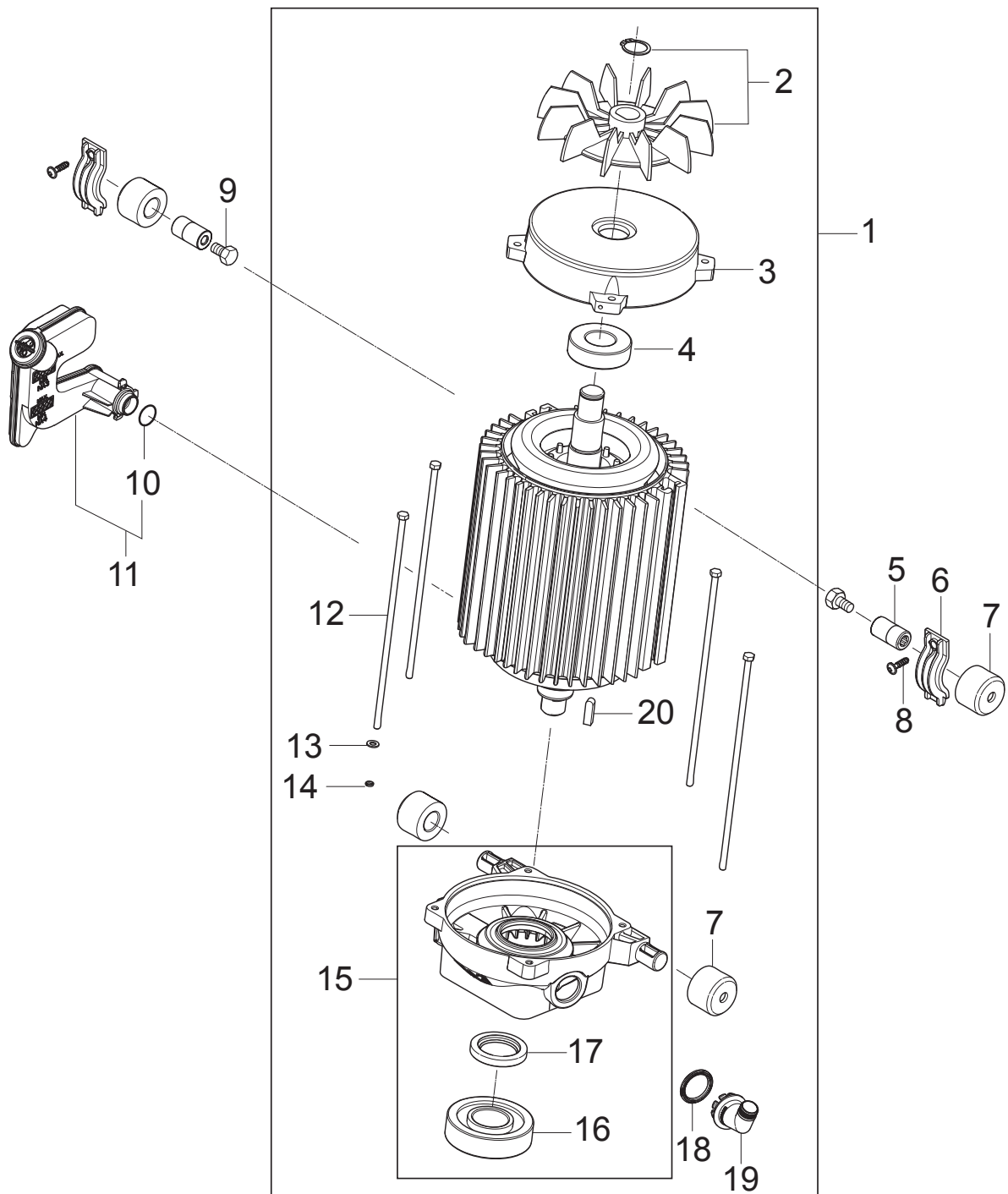
Part Notes:

- [1] - MC 3C-140/660 220/1/60/15 EXPT - UNITOR HPC 30/1 3C - 150/660 220/1/60/16
- [2] - MC 3C-150/570 230/1/50/13 XT UK, MC 3C-140/157
- [3] - MPU ALTO SWEDEN 3C - 130/660 230/1/50/13 - MC 3C-140/660 230/1/50/16 - MC 3C-150/660 230/1/50/16 - MC 3C-150/660 230/1/50/16 XT EU

Pos.	Artikel-Nr.	Menge	Variante	Notes
A	31000630		SPRING PLATE	
A	31000649		SPRING 10.62X6.08X2.8	
A	31000928		EASY START KIT	
A	31000929		GASKET KIT FOR UNLOADER	
A	31000932		PRESSURE VALVE KIT	
A	31000933		INJECTOR ALTO	
A	31000935		GASKET KIT	
A	31000937		INLET & OUTLET VALVE KIT	
A	31000941		KIT FOR INJECTOR	
A	31000948		PISTON	
A	31000968		PISTON GUIDE D14	
A	31001001		O-RING Ø92X3	
A	65466		Dichtring 8,0x15,0x1,0 DI	
A	3004321		O-Ring 10,0 x 2,0 PUR90	
A	107142541		CONNECTION HOSE DN8 F. HOSE REEL MC 3-4	
A	107142542		HP-HOSE DN6X15M MC 3-4	
A	107142548		FUSE 16 AMPS TYPE 2-5700-IG2-P10-DD-16A	
A	301002322		Sicherung 16 A	
A	301003078		Wellendichtring	
B	4029		O-Ring 18,0 X2,5 DIN	[1]
B	31000597		O-RING Ø14X1.78	
B	31000986		PISTON KIT FOR MICROSWITCH	
B	31000987		FITTING KIT FOR MICROSWITCH	
B	31000955		SWITCHBOX ASSEMBLY	
B	31000959		PLUG 3/8INCH G PLASTIC	
B	107145038		FAN INCL. SEAL V-RING	
C	2753		Sechskantschraube M8x 20 ISO 4017 zn	
C	31000927		PLUG KIT	
C	31000936		BEARING KIT	
C	31000938		PISTON KIT D14	
C	31000960		WOBBLE DISC 12 DEG	
C	31000961		WOBBLE DISC 14 DEG	
C	31000962		WOBBLE DISC 10 DEG	
C	31000963		WOBBLE DISC 11.5 DEG	
C	31000964		WOBBLE DISC 9.5 DEG	
C	31000965		WOBBLE DISC 9 DEG	
C	107142544		NUT M8 X D17 X L31 INT. HEX 8	
C	301003080		Lager 6205 ZZ	
C	103822300		Schütz CJX2-D12-V7 400V	
C	103822303		Schütz CJX2-D18 18A 400V 3P+NO	
C	301001058		Schalter	
C	301002320		Kondensator 70 µF	
C	301003079		Kugellager DIN628-7305B	

Part Notes:

[1] - GUARANTEE DATE EXPIRED



Pos.	Artikel-Nr.	Menge	Variante	Notes
1	31001003	1	MOTOR NA3 - 2.5KW/230V/50HZ/1PH	[1]
1	31001004	1	MOTOR NA3 - 2.5KW/220V/60HZ/1PH	[2]
1	31001005	1	MOTOR NA3 - 3.6KW/230/400V/50HZ/3PH	[3]
2	107145038	1	FAN INCL. SEAL V-RING	
3	107145037	1	N-BEARING COVER	
4	301003080	1	Lager 6205 ZZ	
5	107142544	2	NUT M8 X D17 X L31 INT. HEX 8	
6	301002296	2	Halter	
7	107142545	4	SUSPENSION D35 X D17 X L25	
8	107141838	2	SCHRAUBE K50X18 WN1451 SCHWARZ TORX 20	
9	2753	2	Sechskantschraube M8x 20 ISO 4017 zn	
11	107142546	1	OIL CONTAINER MC 3-4	[4]
10	4029	1	O-Ring 18,0 X2,5 DIN	[5]
12	31000923	4	STAY BOLT M5X200	
13	31000918	4	WASHER D5.5XD10 GB/T97.1 ISO7089	
14	31000919	4	LOCK RING D5.1XD7.7 GB/T93 DIN127	
15	31000926	1	D-BEARING COVER P3 INCL SEAL AND BEARING	
16	31001028	1	BEARING 7306	
17	301003078	1	Wellendichtring	
18	31000921	1	SEAL ID 23.4XOD 31 D 2/3.5	
19	31000922	1	CABLE GLAND 23.5 SNAPON 110 DEG	
20	101814798	1	Passfeder	

Part Notes:

- [1] - MPU ALTO SWEDEN 3C - 130/660 230/1/50/13 - MC 3C-140/660 230/1/50/16 - MC 3C-150/660 230/1/50/16 - MC 3C-150/660 230/1/50/16 XT EU - MC 3C-150/570 230/1/50/13 XT UK, MC 3C-140/157
- [2] - MC 3C-140/660 220/1/60/15 EXPT - UNITOR HPC 30/1 3C - 150/660 220/1/60/16
- [3] - MC 3C-160/770 400/3/50 - MC 3C-170/820 400/3/50 - MC 3C-170/820 400/3/50 XT - MC 3C-170/820 230-400/3/50 XT NO - MC 3C-170/820 220-440/3/60
- [4] - TSB-PPW-2015-007 MC 3C MC 4M, Oil Container leaking oil at O-ring seal
DE TSB-PPW-2015-007 MC 3C und MC 4M, Öl Behälter Leckage bei dem O-Ring
- [5] - GUARANTEE DATE EXPIRED

Pos.	Artikel-Nr.	Menge	Variante	Notes
1	106403122	1	ERGO 2000 STANDARD W. HOSE SWIVEL	[1]
2	301002275	1	HD-Schlauch DN6x10m 3/8	[2]
2	107142542	1	HP-HOSE DN6X15M MC 3-4	[3]
3	107142576	1	HP-NOZZLE 1/8-27NPT MEG 25034	[4]
3	107142579	1	HP-NOZZLE 1/8-27NPT MEG 25045	[5]
3	106402282	1	FLEXOPOWER PLUS 960	[6]
3	106403011	1	TORNADO PLUS 1000 gebogen	[7]
3	106403035	1	UNIVERSAL PLUS LANCE 1090	[8]
3	101119735	1	HD-Düse 0340 TORNADO	[9]
3	101119737	1	HD-Düse 0370 TORNADO	[10]
3	101119738	1	Düse NT0400	[11]
3	101119739	1	HD-Düse 0435 TORNADO	[12]
4	106408250	1	4-IN-1 LANCE INCL 0340 ALUMINUM HEAD	[13]
4	106408252	1	Universal Plus Strahlrohr mit 4-in-1 Düs	[14]
4	106408254	1	4-IN-1 LANCE INCL 0435 ALUMINUM HEAD	[15]
5	107145803	1	Schlauchtrommel Set für M	
	32541	1	Schlauchanschluss	
	61369	1	Schlauchtülle ø20 R3/4" vormontiert CuZn	[16]

Part Notes:

- [1] - ERGO 2000 Spray handle
- [2] - Without hose reel
- [3] - X-TRA (with hose reel)
- [4] - MC 3C-140/570 230/1/50/13
- [5] - MC 3C-160/770 400/3/50 EU
- [6] - FLEXOPOWER PLUS lance
- [7] - TORNADO PLUS lance
- [8] - UNIVERSAL PLUS lance
- [9] - MC 3C 150/570
- [10] - MC 3C 140/660, MC 3C 150/660
- [11] - MC 3C 130/660
- [12] - MC 3C 170/820
- [13] - MC 3C 150/570
4 in1 Nozzle
- [14] - MC 3C 150/660
4 in1 Nozzle
- [15] - MC 3C 170/820
4 in1 Nozzle
- [16] - UNITOR

