

ATTIX 550-2M, -0H, 2H, 751-0H, -2M

Model:

ATTIX 550-0H

ATTIX 550-2H

ATTIX 550-2M

ATTIX 751-0H

ATTIX 751-2M



Part List US-English

23-06-2009

Nilfisk
ALTO

Why Compromise

Table of Contents

ATTIX 550-2M, -0H, 2H, 751-0H, -2M

Cabinet 0H	3
Cabinet 2H, 2M	5
Motor and filter	7
Container 550	9
Container 751	11
Frame 751	13
Accessories	15

Cabinet 0H

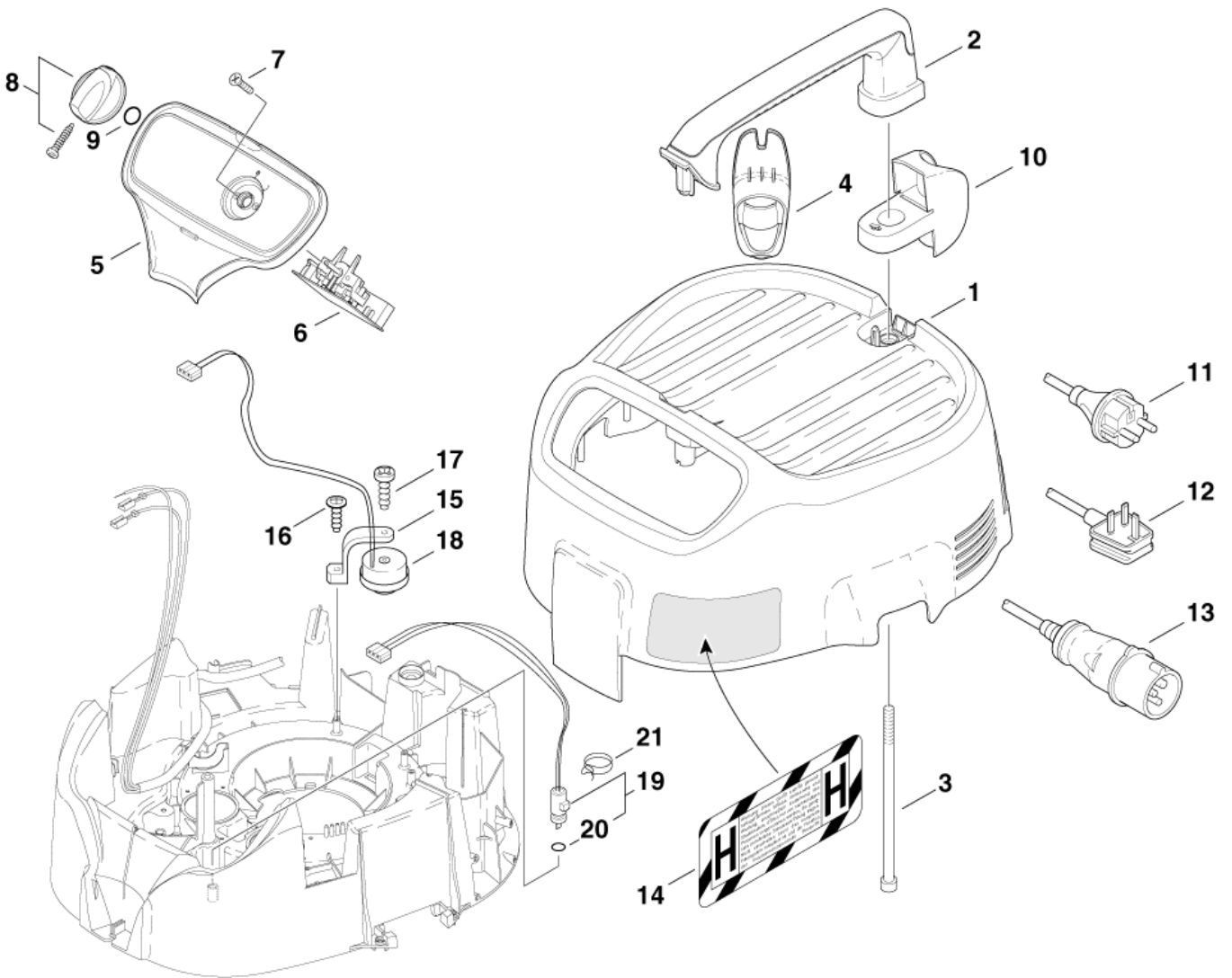
ATTIX 550-2M, -0H, 2H, 751-0H, -2M

23-06-2009

Part List ID
ATTIX5502M02

3

ATTIX 550-0H, 751-0H



Cabinet 0H

ATTIX 550-2M, -0H, 2H, 751-0H, -2M

23-06-2009

Part List ID
ATTIX5502M02

4

Pos	Part no.	Qty	Description		EAN
1	302000703	1	HOOD W.SOUNDPROOFING		4005337690
2	302000638	1	HANDLE ATTIX 5		4005337687
3	909100084	2	SCREW M6X140		4005337679
4	302000380	1	CABLE CLIP		4005337674
5	302000756	1	SWITCH BOX -01 ATTIX 5		4005337020
6	302001292	1	ELECTR. FLOW MEASUREMENT	550-0H*GB,110V*	4005337044
6	302001293	1	INSTALLATION KIT, 2 SOCKETS	550-0H *EU*GB,230V*, 751-0H *EU*DK*	4005337044
7	18274	2	COUNTERSUNK SCREW M4X12		4005337182
8	909100204	1	ROTARY KNOB 6X5 BLUE		4005337689
9	9868	1	O RING DIA 10X2,5		4005337098
10	302000382	1	TUBE FASTENER		4005337674
11	107400573	1	CORD H07RN-F 3G1.5 CEE EU	550-0H*EU*, 751-0H*EU*	7319519672
11	302000440	1	POWER CORD H05RR-F 3G1.0X8.2M SRAF -DK	751-0H*DK*	4005337681
12	302000752	1	POWER CORD H05RR-F 3G1.5X10.7 GB	550-0H*GB,230V*	4005337021
13	302000760	1	POWER CORD H07BQ-F3G1,5X	550-0H*GB,110V*	4005337021
14	302001284	1	LABEL WARNING'H		4005337043
15	25871	1	BRACKET		4005337258
16	11254	1	SCREW 3,5X10		4005337112
17	14418	1	SCREW 4.2X13		4005337144
18	107400579	1	PIEZO BUZZER		7319519672
19	302000428	1	ELECTRONICS FLOW SENSOR SET 1		4005337680
20	55416	1	O-RING Ø 4X1,5		4005337554
21	107400578	1	HOSE CLAMP D10		7319519672

Cabinet 2H, 2M

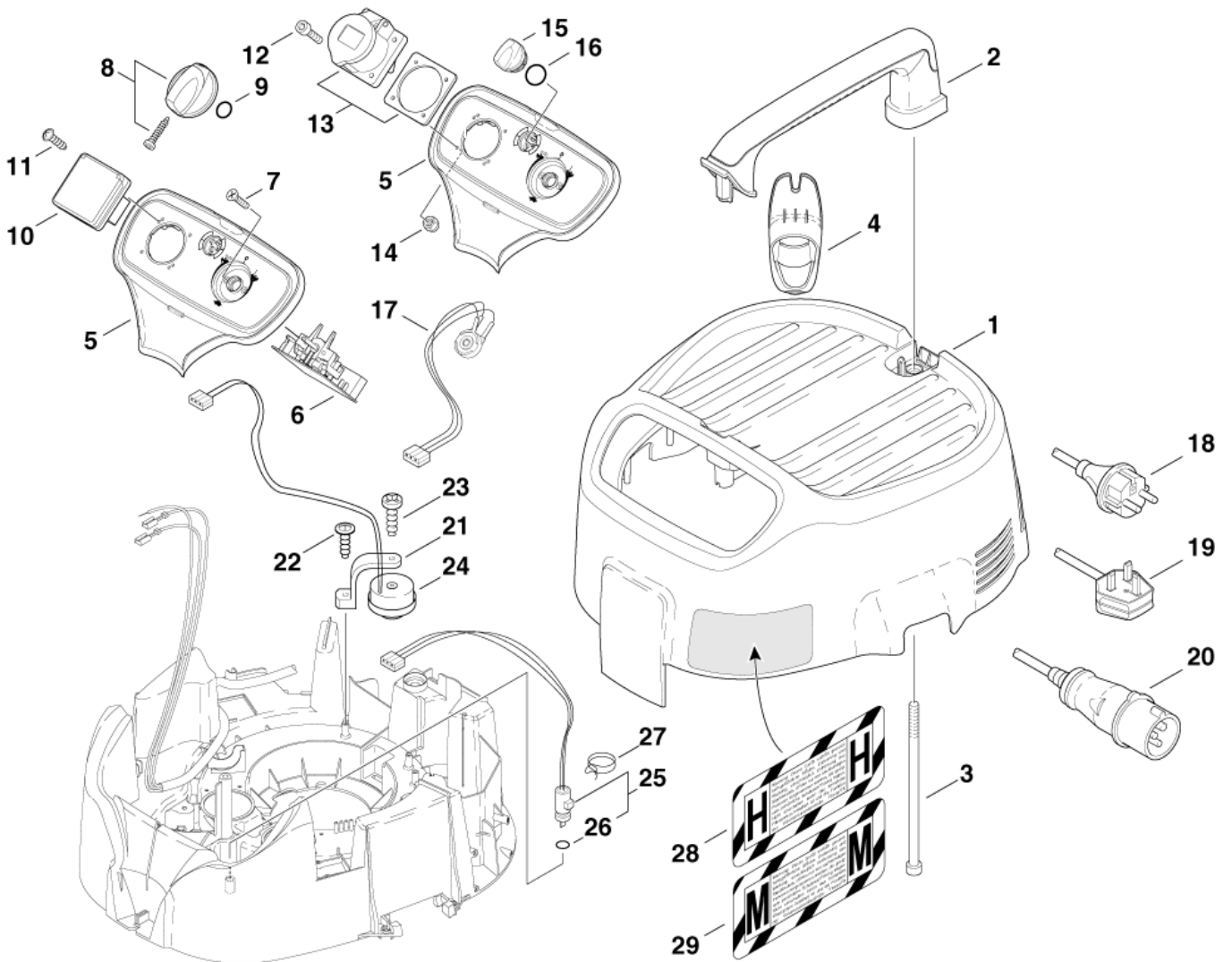
ATTIX 550-2M, -0H, 2H, 751-0H, -2M

23-06-2009

Part List ID
ATTIX5502M04

5

ATTIX 550-2M, 550-2H, 751-2M



Cabinet 2H, 2M

ATTIX 550-2M, -0H, 2H, 751-0H, -2M

23-06-2009

Part List ID
ATTIX5502M04

6

Pos	Part no.	Qty	Description		EAN
1	302000703	1	HOOD W.SOUNDPROOFING		4005337690
2	302000638	1	HANDLE ATTIX 5		4005337687
3	909100084	2	SCREW M6X140		4005337679
4	302000380	1	CABLE CLIP		4005337674
5	302001161	1	SWITCH BOX ATTIX 5,7 -2	550-2M, 550-2H, 751-2M	4005337038
6	302000629	1	ELECTRONIC FLOW MEASUREME	550-2M*GB,110V*	4005337687
6	302000630	1	ELECTRONIC FLOW MEASUREME	* SEE NOTE	4005337687
7	18274	2	COUNTERSUNK SCREW M4X12		4005337182
8	909100204	1	ROTARY KNOB 6X5 BLUE		4005337689
9	9868	1	O RING DIA 10X2,5		4005337098
10	302000148	1	OUTLET BOX 2-P.+PE 13A/250V -GB	550-2M*GB,230V*	4005337008
10	302000151	1	SOCKET 2-P.+PE 16A/250V -DE	550-2M*EU*, 550-2H*EU*, 751-2M*EU*	4005337008
11	11256	2	SCREW 3.5X18		4005337112
12	50598	4	SCREW M5X20	550-2M*GB,110V*	4005337505
13	43238	1	SOCKET 2-POL.16A-4H/110-1	550-2M*GB,110V*	4005337432
14	7417	4	HEXAGON NUT M5	550-2M*GB,110V*	4005337074
15	107400575	1	TURNING KNOB FOR POTI - BLACK		7319519672
16	107400576	1	O-RING 21X1.5		7319519672
17	302000429	1	ELECTRONIC POTENTIOMETER		4005337680
18	302000437	1	POWER CORD H05RR-F 3G1.5X8.2 CEE7/VI-EU	50-2M*EU*, 550-2H*EU*, 751-2M*EU*	4005337681
19	302000752	1	POWER CORD H05RR-F 3G1.5X10.7 GB	550-2M*GB,230V*	4005337021
20	302000760	1	POWER CORD H07BQ-F3G1,5X	550-2M*GB,110V*	4005337021
21	25871	1	BRACKET		4005337258
22	11254	1	SCREW 3,5X10		4005337112
23	14418	1	SCREW 4.2X13		4005337144
24	107400579	1	PIEZO BUZZER		7319519672
25	302000428	1	ELECTRONICS FLOW SENSOR SET 1		4005337680
26	55416	1	O-RING Ø 4X1,5		4005337554
27	107400578	1	HOSE CLAMP D10		7319519672
28	302001284	1	LABEL WARNING'H	550-2H	4005337043
29	302001285	1	LABEL WARNING'M	550-2M, 751-2M	4005337043

* NOTE: 550-2M*EU*, 550-2H*EU*, 550-2M*GB,230V*, 751-2M*EU*

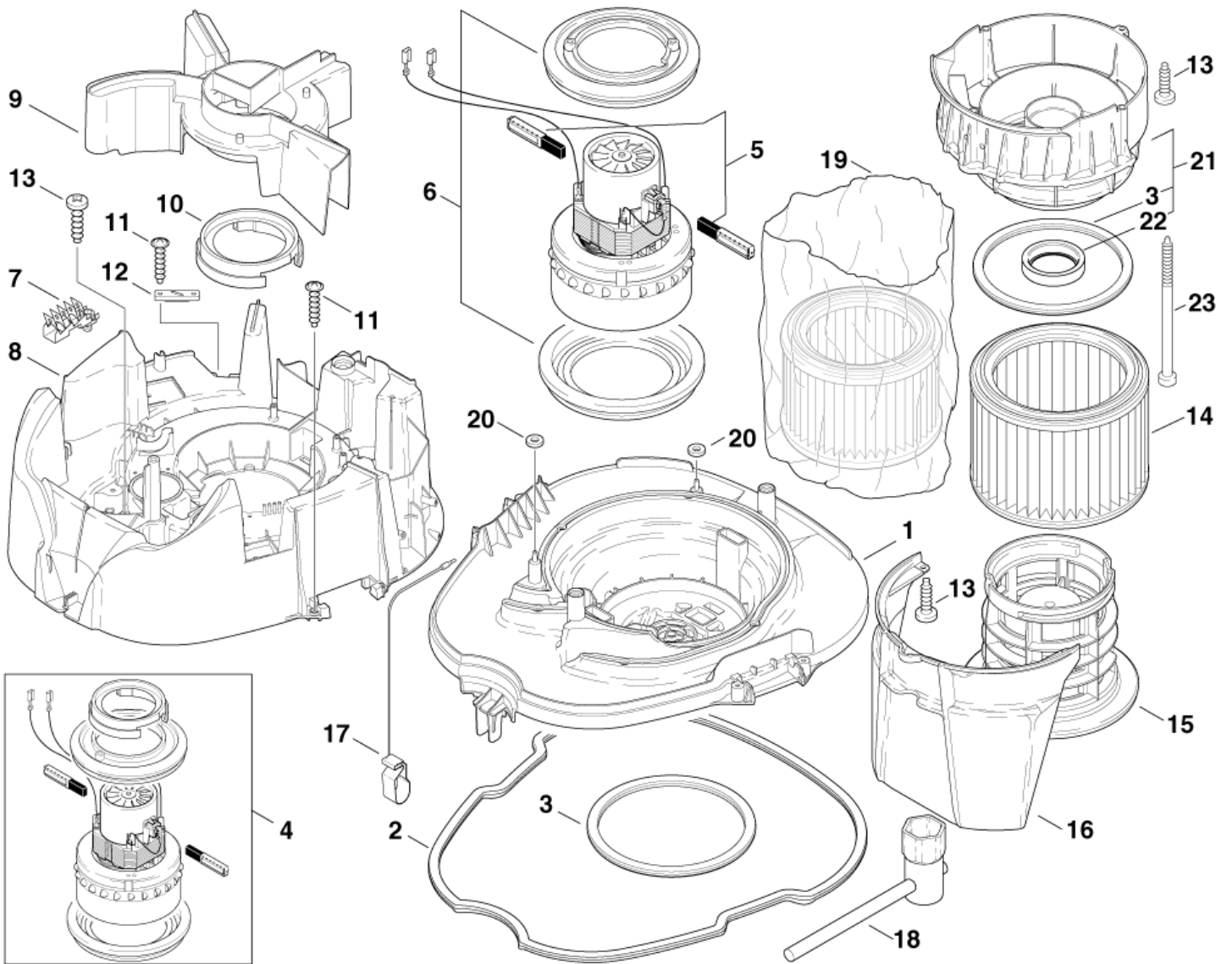
Motor and filter

ATTIX 550-2M, -0H, 2H, 751-0H, -2M

23-06-2009

Part List ID
ATTIX5502M06

7



Motor and filter

ATTIX 550-2M, -0H, 2H, 751-0H, -2M

23-06-2009

Part List ID
ATTIX5502M06

8

Pos	Part no.	Qty	Description		EAN
1	302000372	1	BASE		4005337674
2	302000637	1	GASKET FOR CONTAINER ATTIX 5		4005337687
3	302000460	1	GASKET FILTER		4005337136
4	26784	1	MOTOR 120V 1200W	550-2M*GB,110V*, 550-0H*GB,110V*	4005337267
4	49594	1	MOTOR 230V 1200W	* SEE NOTE	4005337495
4	49598	1	MOTOR 230V 1000W	550-0H*EU*, 751-0H	4005337495
5	26774	1	CARBON BRUSH SET M	FOR IDENTIF.LETTER "M"	4005337267
5	26775	1	CARBON BRUSH SET L	FOR IDENTIF.LETTER "L"	4005337267
5	49625	1	CARBON BRUSHES C	FOR IDENTIF.LETTER "C"	4005337496
6	28875	1	RING	FOR IDENTIF.LETTER "L"+"M"	4005337288
6	42538	1	MOTOR BEARING	FOR IDENTIF.LETTER "C"	4005337425
7	302000755	1	TERMINAL STRIP 6 FH63X08 16A		4005337021
8	302001286	1	SUPPORTING PLATE ATTIX 550 FLOWSENSOR		4005337043
9	302000373	1	AIR CONDUCTION ATTIX 5	PP	4005337674
10	47035	1	COLLAR	550-0H*EU*,751-0H	4005337470
10	47036	1	COLLAR		4005337470
11	11256	6	SCREW 3.5X18		4005337112
12	5697	1	STRAP 3X8X33		4005337056
13	909100138	8	SCREW 5X20		4005337023
14	302000490	1	FILTER ELEMENT LD185X19	550-2M, 751-2M	4005337682
14	302000658	1	FILTER ELEMENT D211X140	550-0H, 550-2H, 751-0H	4005337690
15	107400577	1	FILTER SUPPORT CAGE -H-SET-1	550-0H, 550-2H,751-0H	7319519672
15	302000472	1	FILTER SUPPORT CAGE ATTIX	PP 550-2M, 751-2M	4005337682
16	302000379	1	DEFLECTOR ATTIX 5		4005337674
17	302000823	1	CONTACT SPRING 41.8X14 AS BR	*GB*	4005337025
17	61174	1	EARTHING CABLE		4005337611
18	107400755	1	TEE WRENCH HEXAGON 24MM DIN659	550-0H, 550-2H, 751-0H	7319519673
19	30082	1	DISPOSAL BAG FOR FILTER ELEMENT	550-0H, 550-2H, 751-0H	4005337300
20	62359	2	GASKET 9X4X1		4005337623
21	302001641	1	ADAPTOR SUBASSEMBLE ATTIX	751-0H, 751-2M	4005337069
22	302001546	1	GASKET	751-0H, 751-2M	4005337068
23	909100196	3	SCREW 5X90	751-0H, 751-2M	4005337056

* NOTE: 550-2M*EU, 550-2M*GB,230V*, 550-0H*GB,230V*, 550-2H*EU*, 751-2M

Container 550

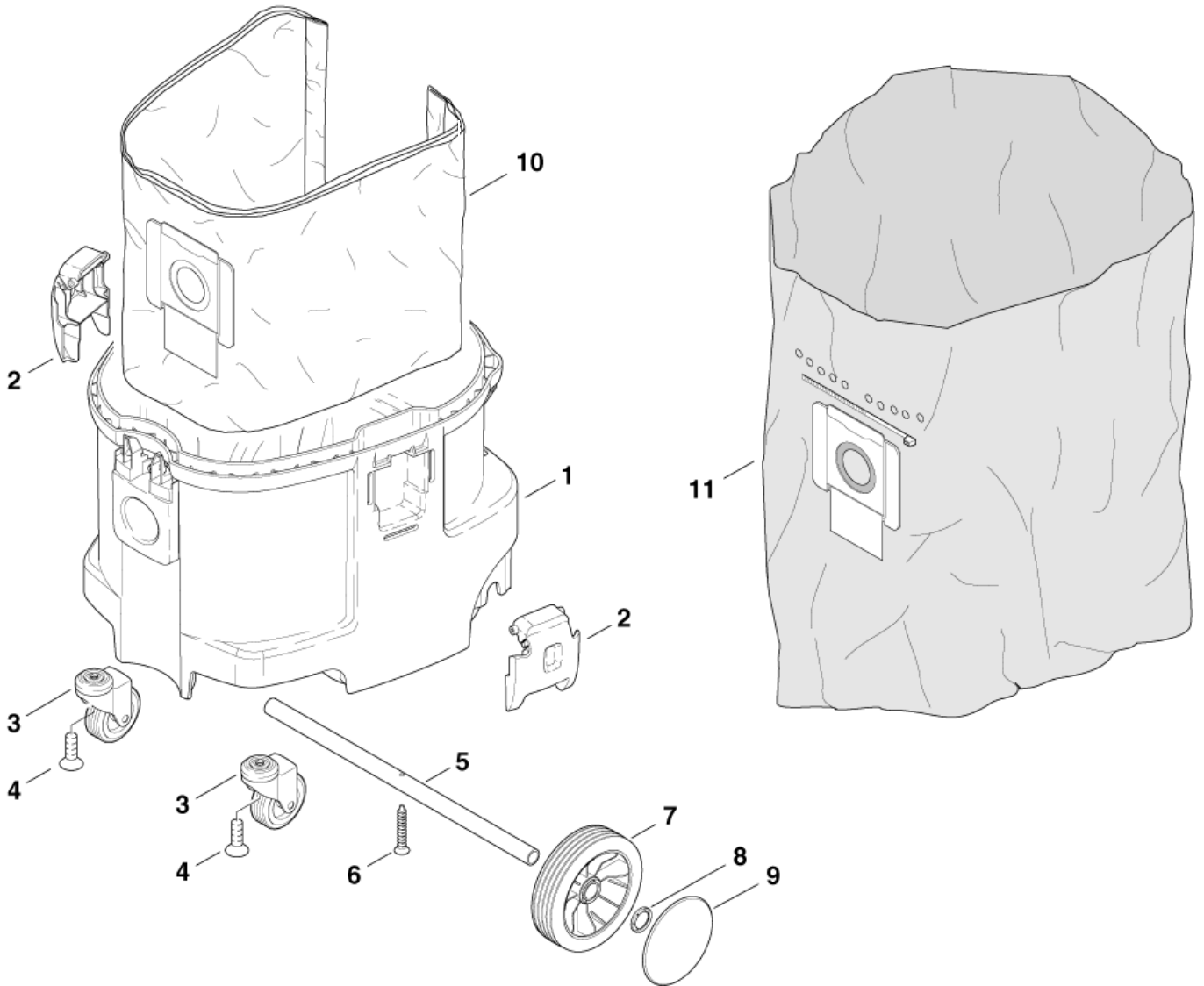
ATTIX 550-2M, -0H, 2H, 751-0H, -2M

23-06-2009

Part List ID
ATTIX5502M08

9

ATTIX 550-2M, 550-0H, 550-2H



Container 550

ATTIX 550-2M, -0H, 2H, 751-0H, -2M

23-06-2009

Part List ID
ATTIX5502M08

10

Pos	Part no.	Qty	Description	EAN
1	302000696	1	CONTAINER	4005337690
2	302000349	2	LOCKING CLAMP	4005337674
3	302000682	2	GUIDE ROLLER Ø 75X100	4005337690
4	909100164	2	COUNTERSUNK SCREW M8X25	4005337036
5	302000636	1	AXLE 20X1.5X440	4005337687
6	909100085	1	SCREW 5X35	4005337679
7	302000639	2	WHEEL Ø150X20 BLACK	4005337687
8	47302	2	CLAMPING RING Ø28,6/Ø20X	4005337473
9	302000701	2	HUB CAP Ø115	4005337690
10	302000527	1	FILTER BAG SET5 ATTIX 5	550-2M 4005337683
11	302001141	1	SAFETY FILTER BAG SET5 AT	550-0H, 550-2H 4005337036

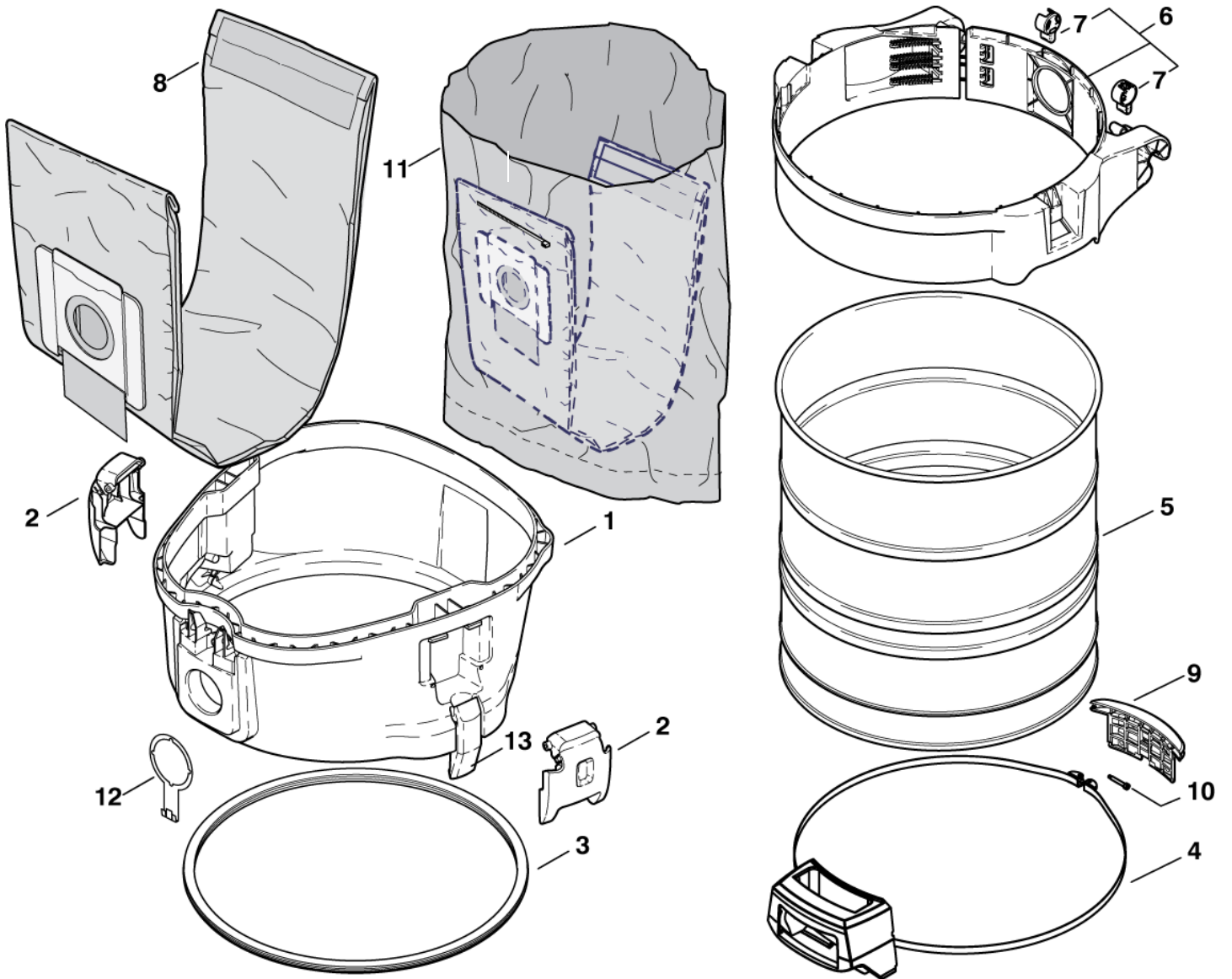
Container 751

ATTIX 550-2M, -0H, 2H, 751-0H, -2M

23-06-2009

Part List ID
ATTIX5502M10

11



Container 751

ATTIX 550-2M, -0H, 2H, 751-0H, -2M

23-06-2009

Part List ID
ATTIX5502M10

12

Pos	Part no.	Qty	Description	EAN
1	302001610	1	ADAPTORRING CPL /ALTO ATTIX 7/	4005337068
2	302000349	1	LOCKING CLAMP	4005337674
3	302001432	1	GASKET CONTAINER	4005337067
4	302001605	1	HANDLE W/ TAPE	4005337068
5	302001362	1	CONTAINER R408X430SS	4005337045
6	302001704	1	BELT CONTAINER D480 SET1	4005337072
7	302001441	1	INTERLOCK ATTIX 7	4005337059
8	302001484	1	FILTER BAG SET5 ATTIX 7 751-2M	4005337061
9	302001363	1	CONTAINER STOPPER ATTIX 7	4005337045
10	302001613	1	SCREW M5X35X5	4005337068
11	302001486	1	SAFETY FILTER BAG SET 5 A 751-0H	4005337061
12	107400145	1	GROUND CONNECTOR ATTIX 7	4005337151

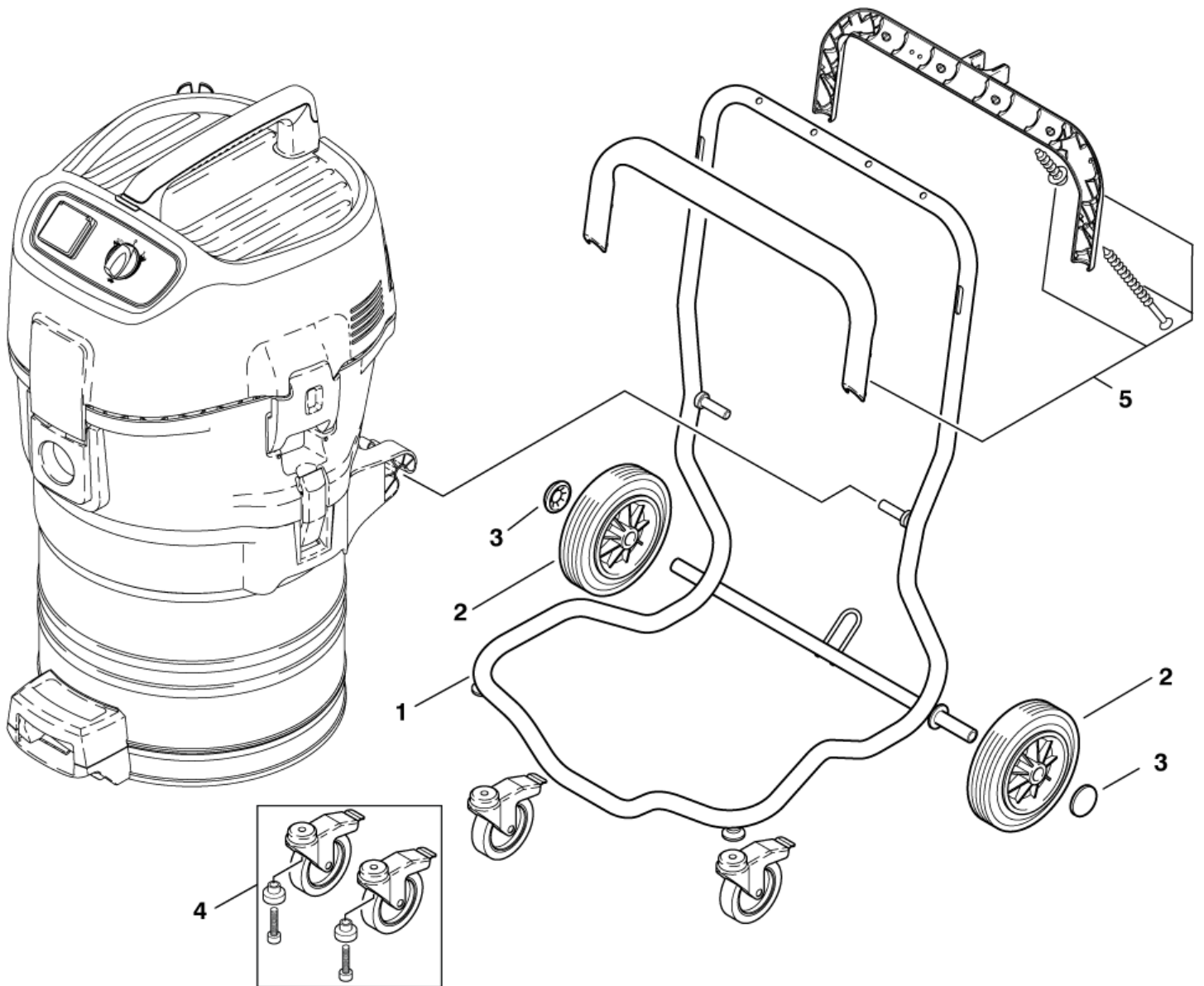
Frame 751

ATTIX 550-2M, -0H, 2H, 751-0H, -2M

23-06-2009

Part List ID
ATTIX5502M12

13



Frame 751

ATTIX 550-2M, -0H, 2H, 751-0H, -2M

23-06-2009

Part List ID
ATTIX5502M12

14

Pos	Part no.	Qty	Description	EAN
1	302001437	1	BASE FRAME ATTIX 7	4005337056
2	302000334	1	WHEEL D200X45	4005337674
3	3750	1	CAP Ø20	4005337037
4	107401054	1	CASTOR TURNABLE WITH BRAKE KIT	7319519676
5	302001706	1	HANDELBAR KIT-1	4005337072

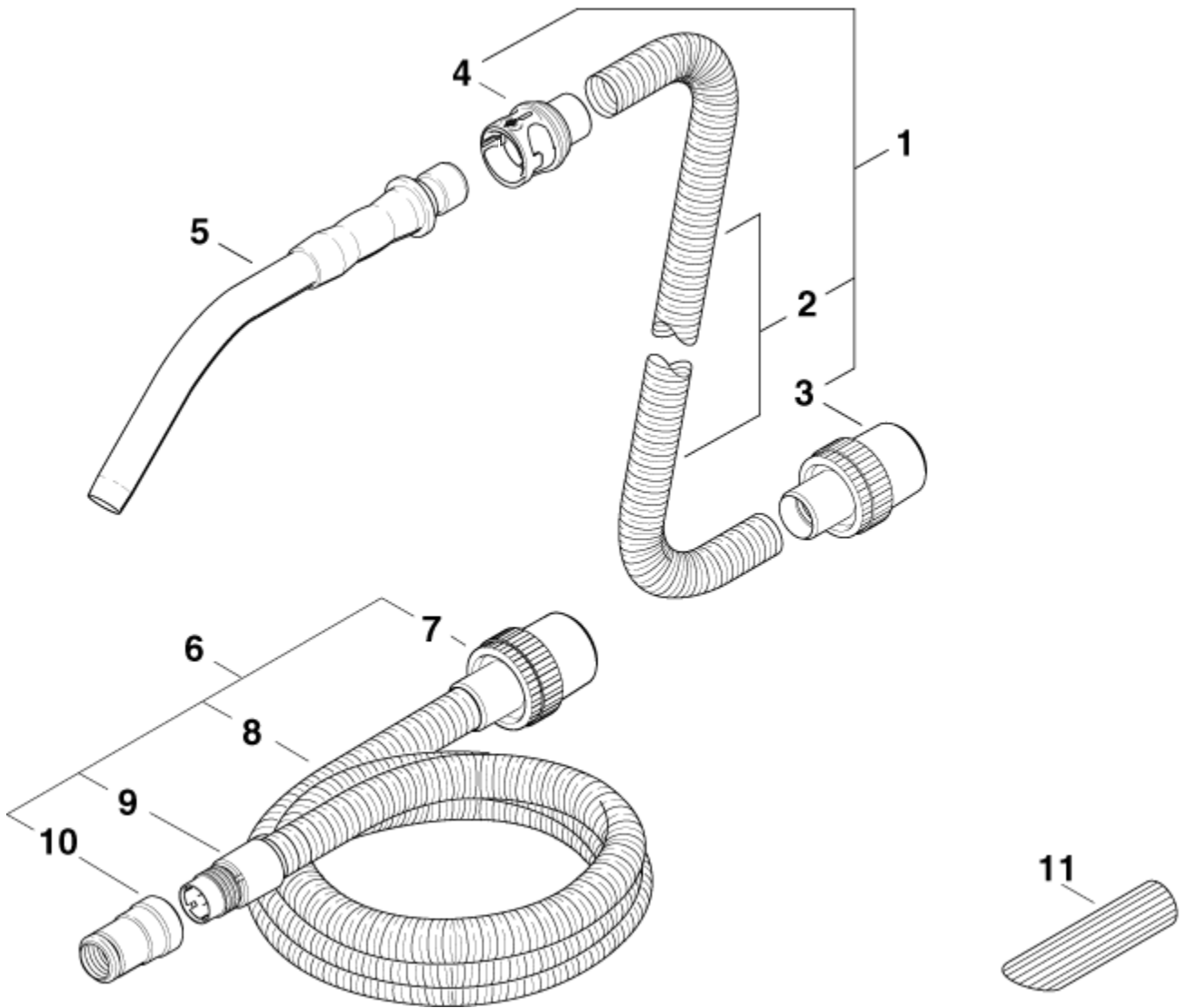
Accessories

ATTIX 550-2M, -0H, 2H, 751-0H, -2M

23-06-2009

Part List ID
ATTIX5502M14

15



Accessories

ATTIX 550-2M, -0H, 2H, 751-0H, -2M

23-06-2009

Part List ID
ATTIX5502M14

16

Pos	Part no.	Qty	Description	EAN
1	46948	1	UNIV HOSED36X3000MM FOR	4005337469
2	11985	1	HOSE UNIVERSAL Ø 36 per meter	4005337119
3	15102	1	HOSE SLEEVE Ø 36/50	4005337151
4	302001345	1	COUPLING SLEEVE Ø 36	4005337045
5	302000528	1	CURVED HAND TUBE Ø36MM CR	4005337683
5	46691	1	CURVED HAND TUBE Ø 36MM SS	4005337466
6	15325	1	AS HOSED27X3500 WITH TOOL A	4005337153
7	15369	1	HOSE SLEEVE Ø 27/50	4005337153
8	15326	1	HOSE AS Ø 27 PER METRE per meter	4005337153
9	63509	1	HOSE SLEEVE 27	4005337635
10	18195	1	TOOL ADAPTER Ø 27	4005337181
11	5067	1	DIAGONAL TUBE NOZZLE Ø 36M	4005337050



heupel Reinigungstechnik GmbH

Gottlieb Daimler Str. 6
88214 Ravensburg
email: info@heupel-gmbh.de
www.heupel-gmbh.de

Tel. (+49) 0751-35905-3
Fax. (+49) 0751-3590-59

Shop: www.nilfisk-alto-shop.eu