

AERO 31



Model:
AERO 31-01 INOX
AERO 31-21 INOX



Part List US-English

18-12-2013

Nilfisk
ALTO
works for you



heupel Reinigungstechnik GmbH

Gottlieb Daimler Str. 6
88214 Ravensburg

email: info@heupel-gmbh.de
www.heupel-gmbh.de

Tel: (049) 0751 - 35905-3
Fax: (049) 0751 - 35905-59

Shop: www.alto-wap.de

Heupel - Reinigungstechnik - Beratung, Verkauf, Service, *alles aus einer Hand.*

Table of Contents

AERO 31

Hood 31-21 PC	3
Motor and filter	5
Container 30L INOX	7
Accessories	9
Recommended Spare Parts	11

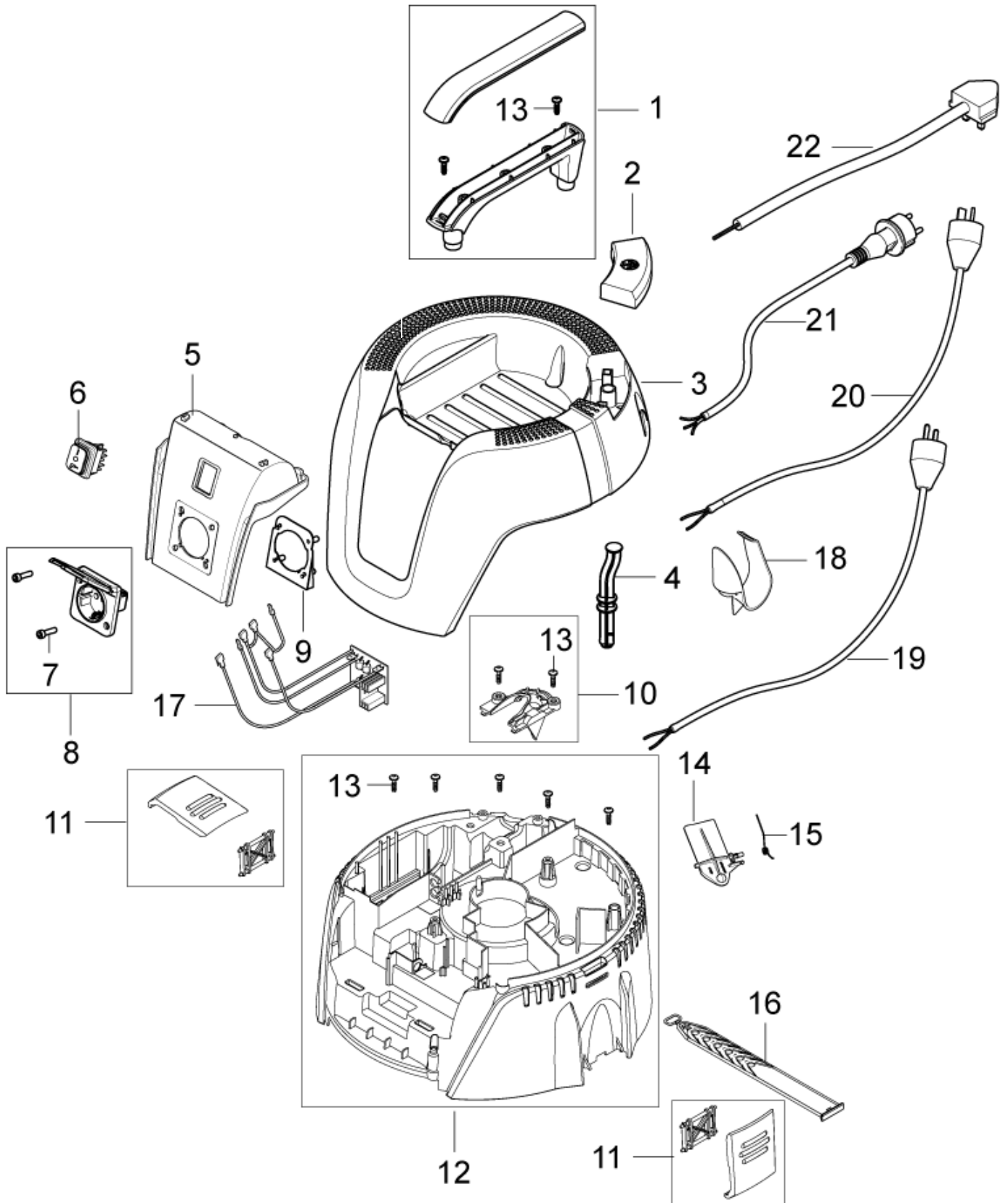
Hood 31-21 PC

AERO 31

18-12-2013

Part List ID
AERO3104

3



Hood 31-21 PC

AERO 31

18-12-2013

Part List ID
AERO3104

4

Pos	Part no.	Qty	Description	
01	107409137	1	HANDLE	
02	107409138	1	PC BUTTON	
03	107409145	1	AERO HEAD COVER 26-2L	
04	107409141	1	PC ROD	
06	107409135	1	SWITCH 1-0-TOOL	
07	302003705	2	SCREW EJOT DELTA PT35X18WN5451	
08	107400059	1	SOCKET 16A/250V CH	
08	302004034	1	SOCKET 16A/250V EU	
08	302004338	1	SOCKET 15A/125V US/CSA	
09	302002052	1	PLUG SOCKET PLATE	
10	107409125	1	CABLE OUTLET	
11	107409130	1	CLAMP	
12	107409132	1	AERO CLAMPING PLATE	
13	302003704	9	SCREW EJOT DELTA PT50X18WN5451	
14	107409129	1	PC FLAP - KIT	
15	909100083	1	TORSION SPRING D0.9X18X45 INOX	
16	107409131	1	RUBBER STRAP	
19	61130	1	POWERCORD H05VV-F 3G1.5X5.7M C	EU
21	61132	1	POWERCORD H05VV-F 3G1.0X5.7 SN	CH
22	61129	1	POWER CORD H05VV-F3G1.5X5	GB, 230V

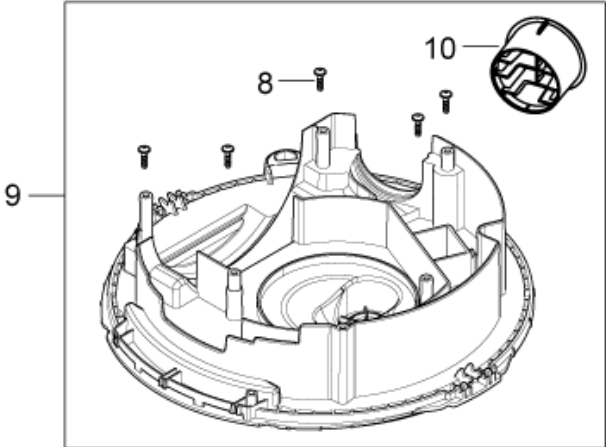
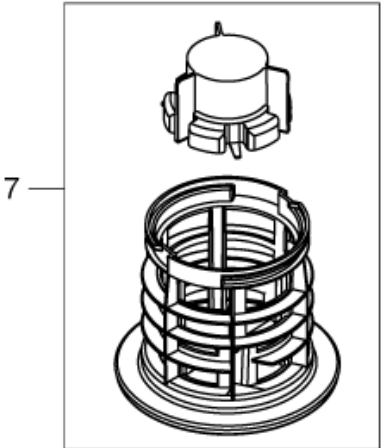
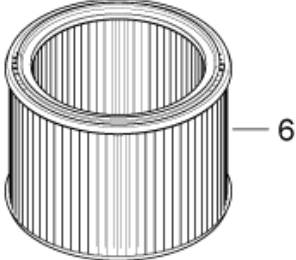
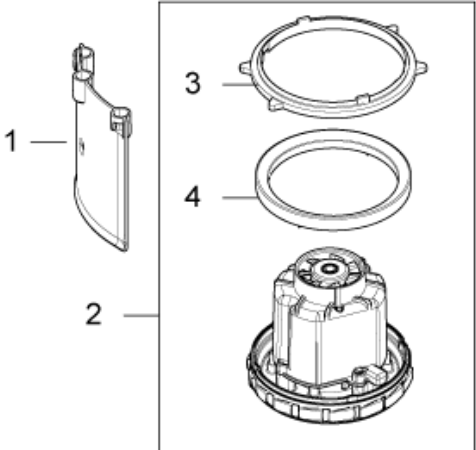
Motor and filter

AERO 31

18-12-2013

Part List ID
AERO3106

5



Motor and filter

AERO 31

18-12-2013

Part List ID
AERO3106

6

Pos	Part no.	Qty	Description
01	107409159	1	DEFLECTOR SHIELD
02	107409160	1	MOTOR 230V
02	107409162	1	MOTOR 120V
03	107409163	1	UPPER MOTOR SEALING
04	107409164	1	LOWER MNOTOR SEALING
05	107409165	1	SEALING FILTER
06	302000490	1	FILTER ELEMENT Ø185X140 PET M-CLASS
07	107402646	1	FILTER SUPPORT CAGE ATTIX PP
08	302003704	5	SCREW EJOT DELTA PT50X18WN5451
09	107409166	1	BASEPLATE WITH OUTLET
10	107409167	1	OUTLET

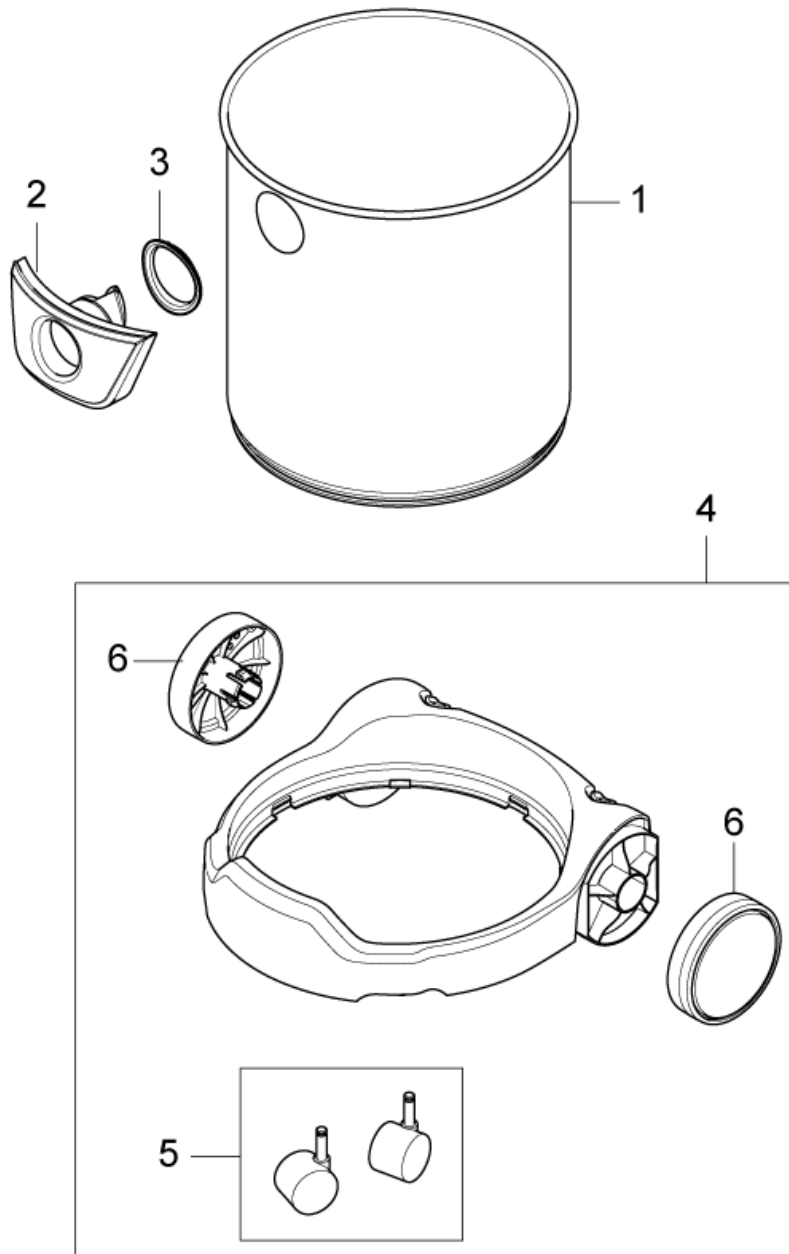
Container 30L INOX

AERO 31

18-12-2013

Part List ID
AERO3108

7



Container 30L INOX

AERO 31

18-12-2013

Part List ID
AERO3108

8

Pos	Part no.	Qty	Description
01	107409176	1	AERO 30L INOX container
02	107409169	1	INLET FITTING
04	107409174	1	TROLLEY CPL.
05	140 6422 500	1	WHEELS LINK 50MM
06	107409170	2	WHEEL D130

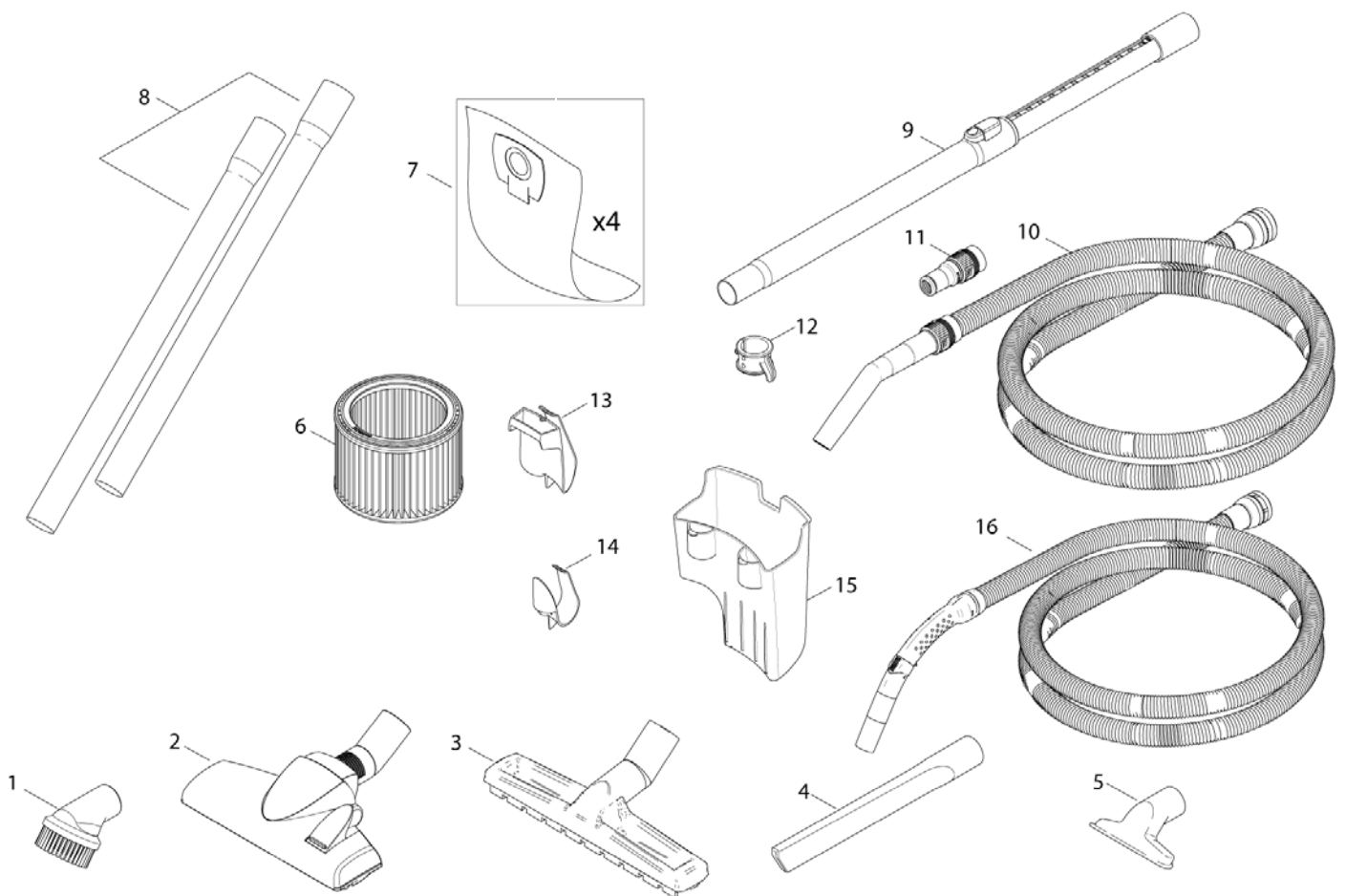
Accessories

AERO 31

18-12-2013

Part List ID
AERO2112

9



Accessories

AERO 31

18-12-2013

Part List ID
AERO2112

10

Pos	Part no.	Qty	Description
01	302002509	1	SUCTION BRUSH D36 BLACK
02	302002365	1	SOIL NOZZLE SWITCHABLE
03	107402706	1	FLOOR NOZZLE D36 W/D -KIT
03	107407310	1	FLOOR NOZZLE D32 RUBBER STRIP
03	107407311	1	FLOOR NOZZLE D32 BRUSH
04	29541	1	CREVICE NOZZLE D36X200
05	14295	1	UNIVERSAL NOZZLE D36X115
06	302000490	1	FILTER ELEMENT Ø185X140 PET M-CLASS
07	302002404	1	FILTER BAG AERO 4 PCS
08	107400032	1	EXTENSION TUBE D36 2X500MM ALU
08	302000529	1	EXTEN TUBE D36 2X505MM ST/CR
08	40696	1	EXTENSION TUBE D36 2X515MM PLASTIC
09	107402654	1	TELESCOPIC TUBE D36 575-930MM CR-ST
09	107402705	1	TELESCOPIC TUBE PLAST.-KIT
10	107409976	1	UNIV HOSE WITH HAND TUBE D32X3500 CPL.
11	107409977	1	TOOL ADAPTER WITH SUCTION REGULATION D32
12	107409978	1	TUBE HOLDER KIT D32
12	107409979	1	TUBE HOLDER KIT D36
13	107409981	1	HOSE/CABLE HOOK. AERO 21
15	107409980	1	TOOL BOX. AERO 26/31
16	107405599	1	SUCTION HOSE D32X2500 CPL.
16	107405600	1	SUCTION HOSE D32x1900 CPL.
16	107406115	1	SUCTION HOSE D32X3500 CPL.

Recommended Spare Parts

AERO 31

18-12-2013

Part List ID
AERO3114

11

No Drawing For Part List

Recommended Spare Parts

AERO 31

18-12-2013

Part List ID
AERO3114

12

Pos	Part no.	Qty	Description
	107400032	1	EXTENSION TUBE D36 2X500MM ALU
	107400059	1	SOCKET 16A/250V CH
0	107402646	1	FILTER SUPPORT CAGE ATTIX PP
	107402654	1	TELESCOPIC TUBE D36 575-930MM CR-ST
	107402706	1	FLOOR NOZZLE D36 W/D -KIT
	107404540	1	SWITCH 0-1 DOUBLE POLE SET
	107404542	1	ANTI-INTEFERENCE CAPACITOR SET
	107405599	1	SUCTION HOSE D32X2500 CPL.
	107405600	1	SUCTION HOSE D32x1900 CPL.
	107406115	1	SUCTION HOSE D32X3500 CPL.
	107409130	1	CLAMP
	107409131	1	RUBBER STRAP
	107409135	1	SWITCH 1-0-TOOL
	107409160	1	MOTOR 230V
	107409162	1	MOTOR 120V
	107409163	1	UPPER MOTOR SEALING
	107409164	1	LOWER MNOTOR SEALING
	107409165	1	SEALING FILTER
	107409976	1	UNIV HOSE WITH HAND TUBE D32X3500 CPL.
	107409977	1	TOOL ADAPTER WITH SUCTION REGULATION D32
	107409978	1	TUBE HOLDER KIT D32
	107409979	1	TUBE HOLDER KIT D36
140 6422 500		1	WHEELS LINK 50MM
	14295	1	UNIVERSAL NOZZLE D36X115
	29541	1	CREVICE NOZZLE D36X200
	302000490	1	FILTER ELEMENT Ø185X140 PET M-CLASS
	302000529	1	EXTEN TUBE D36 2X505MM ST/CR
	302002052	1	PLUG SOCKET PLATE
	302002365	1	SOIL NOZZLE SWITCHABLE
	302002404	1	FILTER BAG AERO 4 PCS
	302002509	1	SUCTION BRUSH D36 BLACK
	302004034	1	SOCKET 16A/250V EU
	40696	1	EXTENSION TUBE D36 2X515MM PLASTIC
	61130	1	POWERCORD H05VV-F 3G1.5X5.7M C
	909100083	1	TORSION SPRING D0.9X18X45 INOX



heupel Reinigungstechnik GmbH

Gottlieb Daimler Str. 6
88214 Ravensburg

email: info@heupel-gmbh.de
www.heupel-gmbh.de

Tel: (049) 0751 - 35905-3
Fax: (049) 0751 - 35905-59

Shop: www.alto-wap.de

Heupel - Reinigungstechnik - Beratung, Verkauf, Service, *alles aus einer Hand.*