

ATTIX 590, 791, EC 12 GALLON

Model:
ATTIX 590 CLEAN ROOM
ATTIX 590-21 EC
ATTIX 791-21 EC



Part List US-English

23-06-2009

Table of Contents

ATTIX 590, 791, EC 12 GALLON

Cabinet, switch box (ATTIX 590-21, EC 12 GALLON AS	3
Buzzer, flow sensor	5
Base, motor, filter	7
Container (ATTIX 590-21, EC 12 GALLON AS/E)	9
Container (ATTIX 791-21)	11
Frame (ATTIX 791-21)	13
Accessories	15

Cabinet, switch box (ATTIX 590-21, EC 12 GALLOI

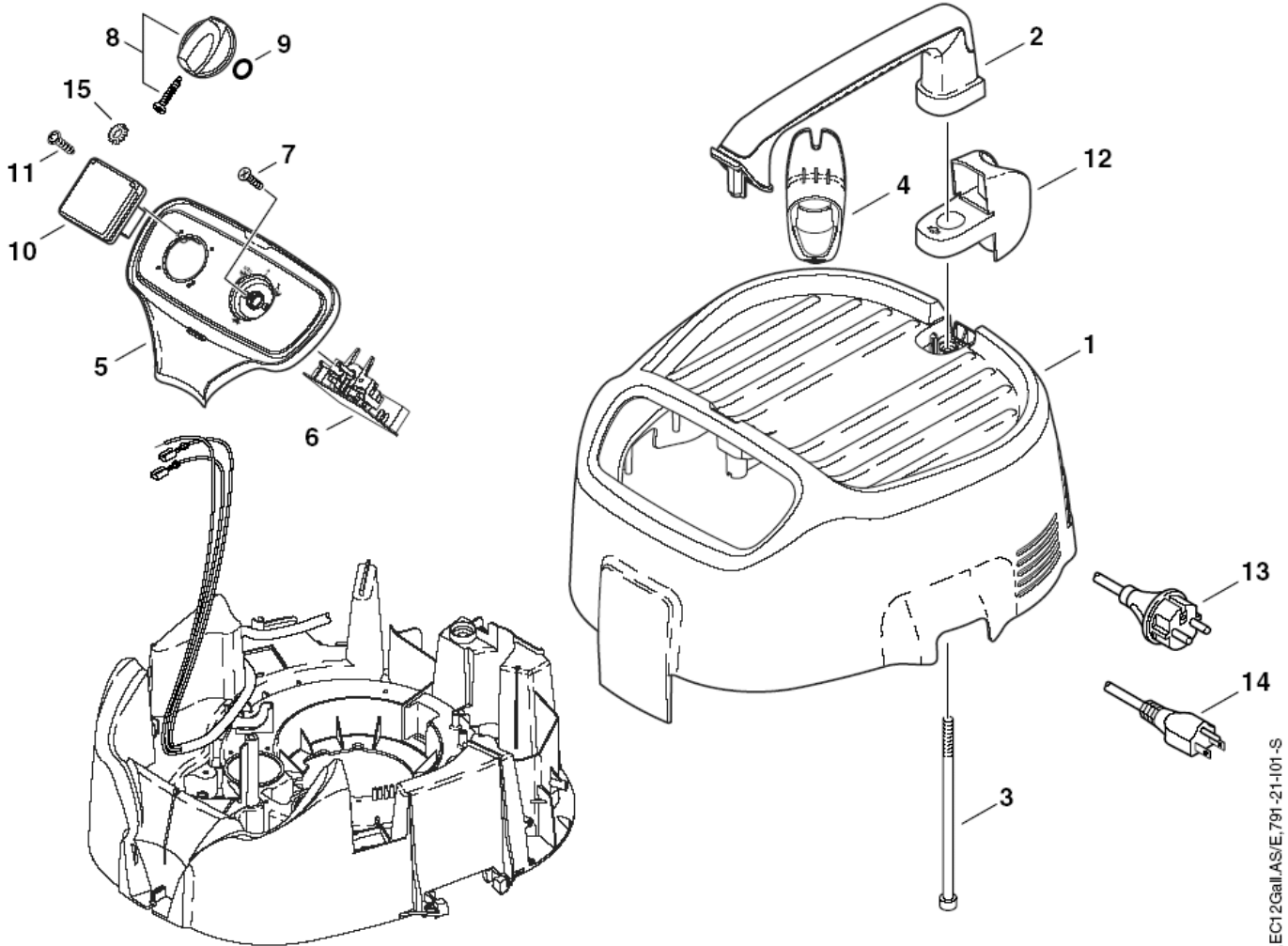
ATTIX 590, 791, EC 12 GALLON

23-06-2009

Part List ID
ATTIX59002

3

ATTIX 590-21, EC 12 Gallon AS/E, 791-21



Cabinet, switch box (ATTIX 590-21, EC 12 GALLOI

ATTIX 590, 791, EC 12 GALLON

23-06-2009

Part List ID
ATTIX59002

4

Pos	Part no.	Qty	Description	EAN
1	302000703	1	HOOD W.SOUNDPROOFING	4005337690
2	302000638	1	HANDLE ATTIX 5	4005337687
3	909100084	2	SCREW M6X140	4005337679
4	302000380	1	CABLE CLIP	4005337674
5	302000757	1	SWITCH BOX -21 ATTIX 5	4005337020
6	302001424	1	ELECTRONIC EA.W.SPEED EC	EC 12GALLON AS/E 4005337055
6	302001425	1	ELECTRONIC EA.W.SPEED EC	590-21, 791-21 4005337054
7	18274	2	COUNTERSUNK SCREW M4X12	4005337182
8	909100204	1	ROTARY KNOB 6X5 BLUE	4005337689
9	9868	1	O RING DIA 10X2,5	4005337098
10	302000149	1	OUTLET BOX 2-P.+PE 15A/125V -US/CSA	*US* -EC 12GALLON AS/E 4005337008
10	302000151	1	SOCKET 2-P.+PE 16A/250V -DE	*EU* -590-21, 791-21 4005337008
11	11256	2	SCREW 3.5X18	4005337112
12	302000382	1	TUBE FASTENER	590-21, EC 12GALLON AS/E 4005337674
13	302000437	1	POWER CORD H05RR-F 3G1.5X8.2 CEE7/VII-EU	EU* -590-21, 791-21 4005337681
14	302004332	1	POWER CORD US	*US* -EC 12GALLON AS/E 7319519675
15	4021	1	SERRATED LOCK WASHER A4,	4005337040

Buzzer, flow sensor

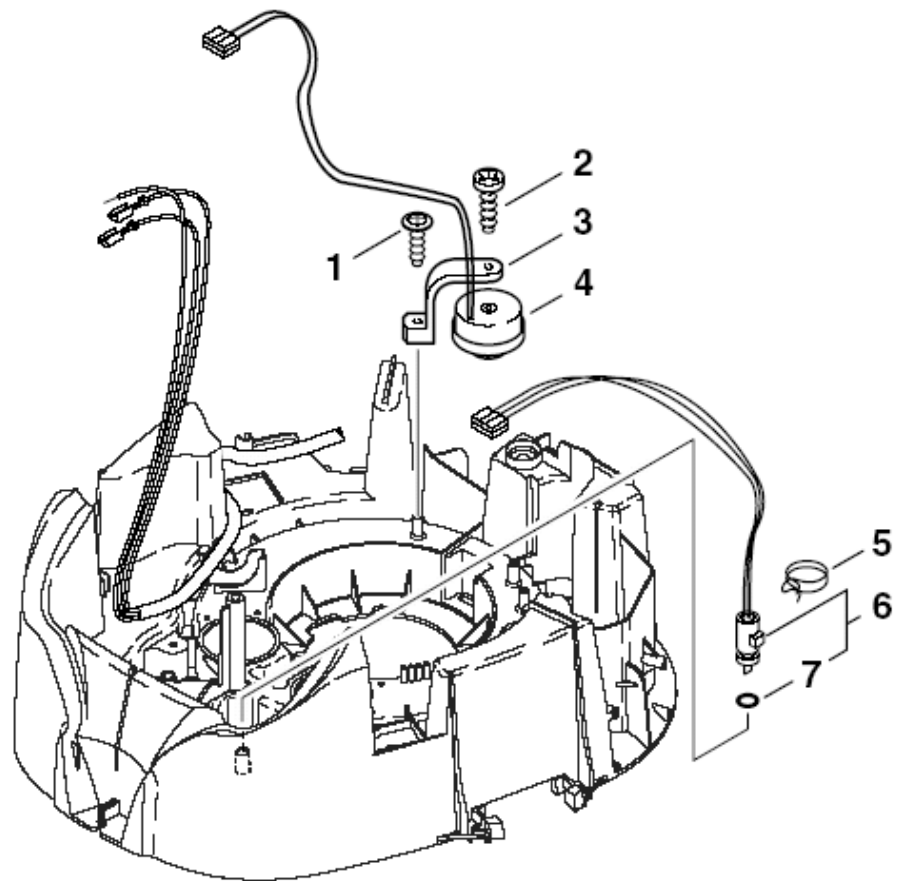
ATTIX 590, 791, EC 12 GALLON

23-06-2009

Part List ID
ATTIX59006

5

ATTIX 791-2M/B1



Buzzer, flow sensor

ATTIX 590, 791, EC 12 GALLON

23-06-2009

Part List ID
ATTIX59006

6

Pos	Part no.	Qty	Description	EAN
1	11254	1	SCREW 3,5X10	4005337112
2	14418	1	SCREW 4.2X13	4005337144
3	25871	1	BRACKET	4005337258
4	107400579	1	PIEZO BUZZER	7319519672
5	107400578	1	HOSE CLAMP D10	7319519672
6	302000428	1	ELECTRONICS FLOW SENSOR SET 1	4005337680
7	55416	1	O-RING Ø 4X1,5	4005337554

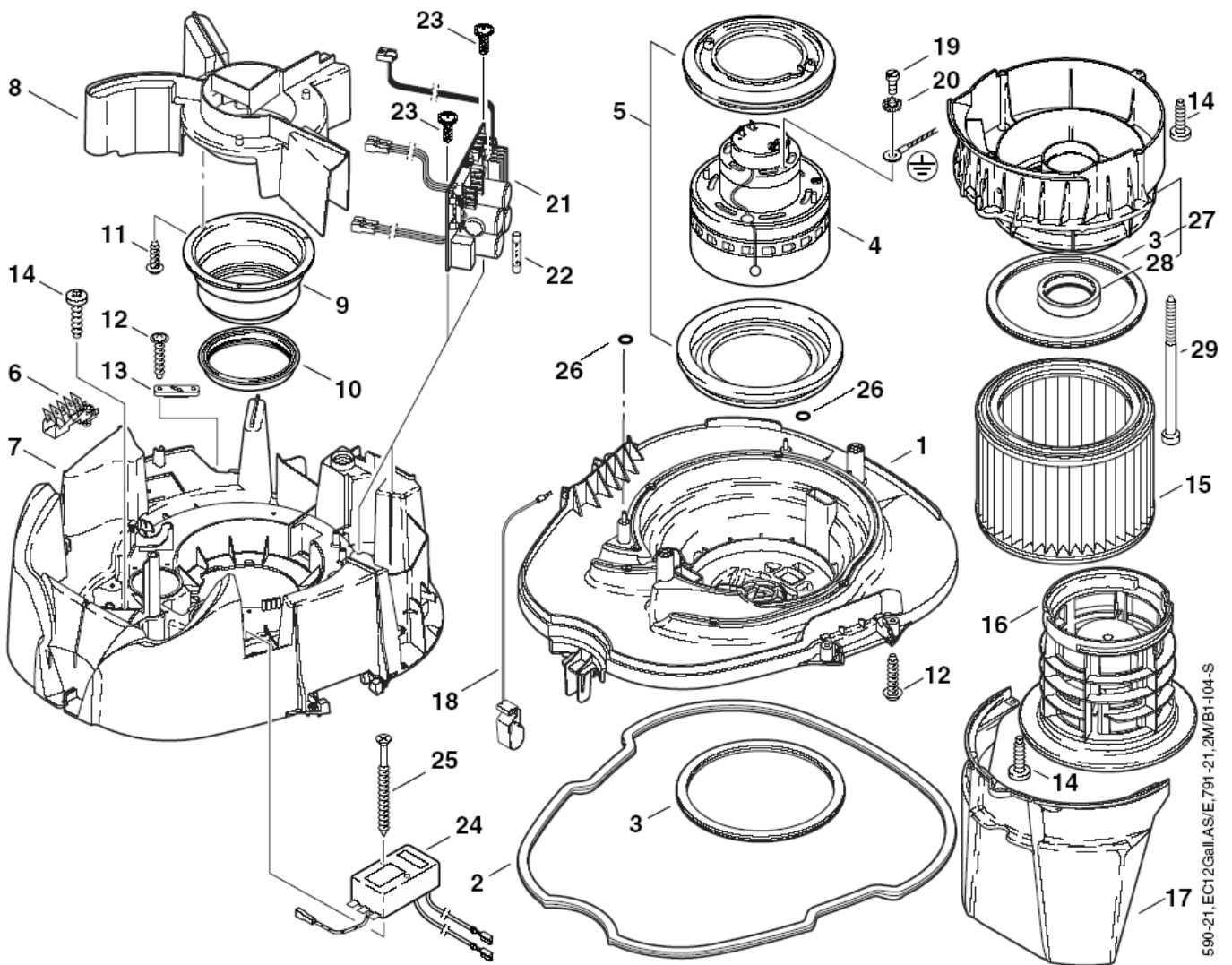
Base, motor, filter

ATTIX 590, 791, EC 12 GALLON

23-06-2009

Part List ID
ATTIX59008

7



590-21, EC12Gall, AS/E, 791-21, 2M/B1-104-S

Base, motor, filter

ATTIX 590, 791, EC 12 GALLON

23-06-2009

Part List ID
ATTIX59008

8

Pos	Part no.	Qty	Description	EAN	
1	302000372	1	BASE	4005337674	
2	302000637	1	GASKET FOR CONTAINER ATTIX 5	4005337687	
3	302000460	1	GASKET FILTER	4005337136	
4	60561	1	MOTOR 220/240V 1200W EC	590-21, 791-21,, 791-2M/B1*EU*GB,230V*	4005337605
4	64938	1	MOTOR TURBINE 1000W 100/120V EC-II	EC 12GALLON AS/E, 791-2M/B1*GB,110V*	4005337649
5	61167	1	MOTOR BEARING RING SET EC		4005337611
6	302000755	1	TERMINAL STRIP 6 FH63X08 16A		4005337021
7	302000371	1	PLATE CHUCK ATTIX 550 PP	590-21, EC 12GALLON AS/E, 791-21	4005337674
7	302001286	1	SUPPORTING PLATE ATTIX 550 FLOWSENSOR	791-2M/B1	4005337043
8	302000373	1	AIR CONDUCTION ATTIX 5 PP		4005337674
9	60877	1	BRACKET		4005337608
10	47364	1	PACKING RING 108X86X18		4005337473
11	11254	3	SCREW 3,5X10		4005337112
12	11256	6	SCREW 3.5X18		4005337112
13	5697	1	STRAP 3X8X33		4005337056
14	909100138	9	SCREW 5X20		4005337023
15	302000490	1	FILTER ELEMENT LD185X19		4005337682
16	302000472	1	FILTER SUPPORT CAGE ATTIX PP		4005337682
17	302000379	1	DEFLECTOR ATTIX 5		4005337674
18	61174	1	EARTHING CABLE		4005337611
19	6163	1	SCREW M4X12		4005337061
20	4021	1	SERRATED LOCK WASHER A4,		4005337040
21	302000833	1	ELECTRONIC EC 230V SET-1	590-21, 791-21, 791-2M/B1*EU*GB,230V*	4005337035
21	302001430	1	ELECTRONIC EC 110V SET-1	EC 12GALLON AS/E, 791-2M/B1*GB,110V*	4005337055
22	48333	1	FINE-WIRE FUSE 6,3X32 10	590-21, 791-21, 791-2M/B1*EU*GB,230V*	4005337483
22	65058	1	FINE-WIRE FUSE	EC 12GALLON AS/E, 791-2M/B1*GB,110V*	4005337650
23	10028	2	SCREW 5X14		4005337100
24	42103	1	SCREENING FILTER	590-21, 791-21, 791-2M/B1*EU*GB,230V*	4005337421
24	64937	1	SCREENING FILTER	EC 12GALLON AS/E, 791-2M/B1*GB,110V*	4005337649
25	11255	2	SCREW 3,5X30		4005337112
26	62359	2	GASKET 9X4X1		4005337623
27	302001641	1	ADAPTOR SUBASSEMBLE ATTIX	791-21, 791-2M/B1	4005337069
28	302001546	1	GASKET	791-21, 791-2M/B1	4005337068
29	909100196	3	SCREW 5X90	791-21, 791-2M/B1	4005337056

Container (ATTIX 590-21, EC 12 GALLON AS/E

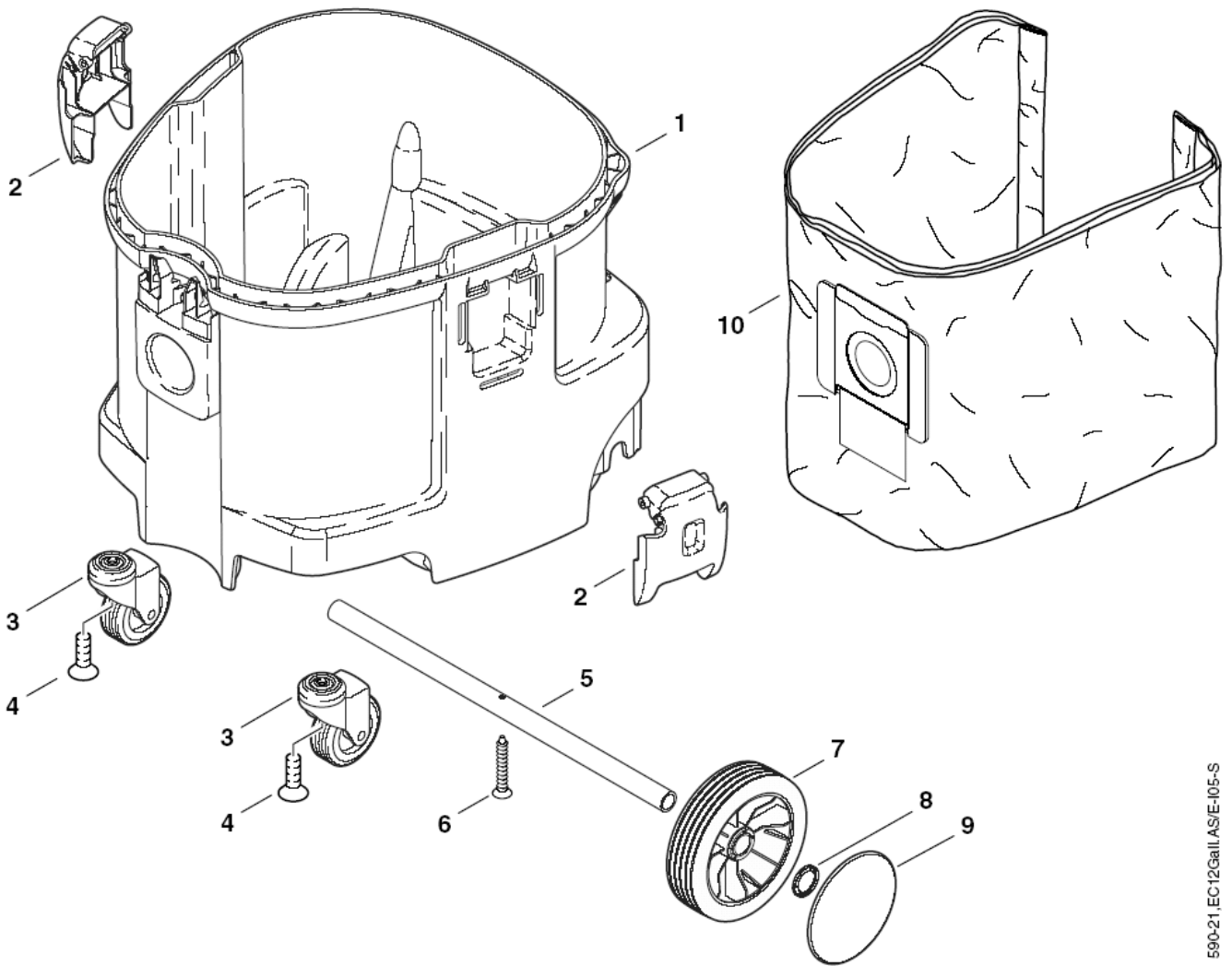
ATTIX 590, 791, EC 12 GALLON

23-06-2009

Part List ID
ATTIX59010

9

ATTIX 590-21, EC 12 Gallon AS/E



Container (ATTIX 590-21, EC 12 GALLON AS/E

ATTIX 590, 791, EC 12 GALLON

23-06-2009

Part List ID
ATTIX59010

10

Pos	Part no.	Qty	Description	EAN
1	302000696	1	CONTAINER	4005337690
2	302000349	2	LOCKING CLAMP	4005337674
3	302000682	2	GUIDE ROLLER Ø 75X100	4005337690
4	909100164	2	COUNTERSUNK SCREW M8X25	4005337036
5	302000636	1	AXLE 20X1.5X440	4005337687
6	909100085	1	SCREW 5X35	4005337679
7	302000639	2	WHEEL Ø150X20 BLACK	4005337687
8	47302	2	CLAMPING RING Ø28,6/Ø20X	4005337473
9	302000701	2	HUB CAP Ø115	4005337690
10	302000527	1	FILTER BAG SET5 ATTIX 5	4005337683

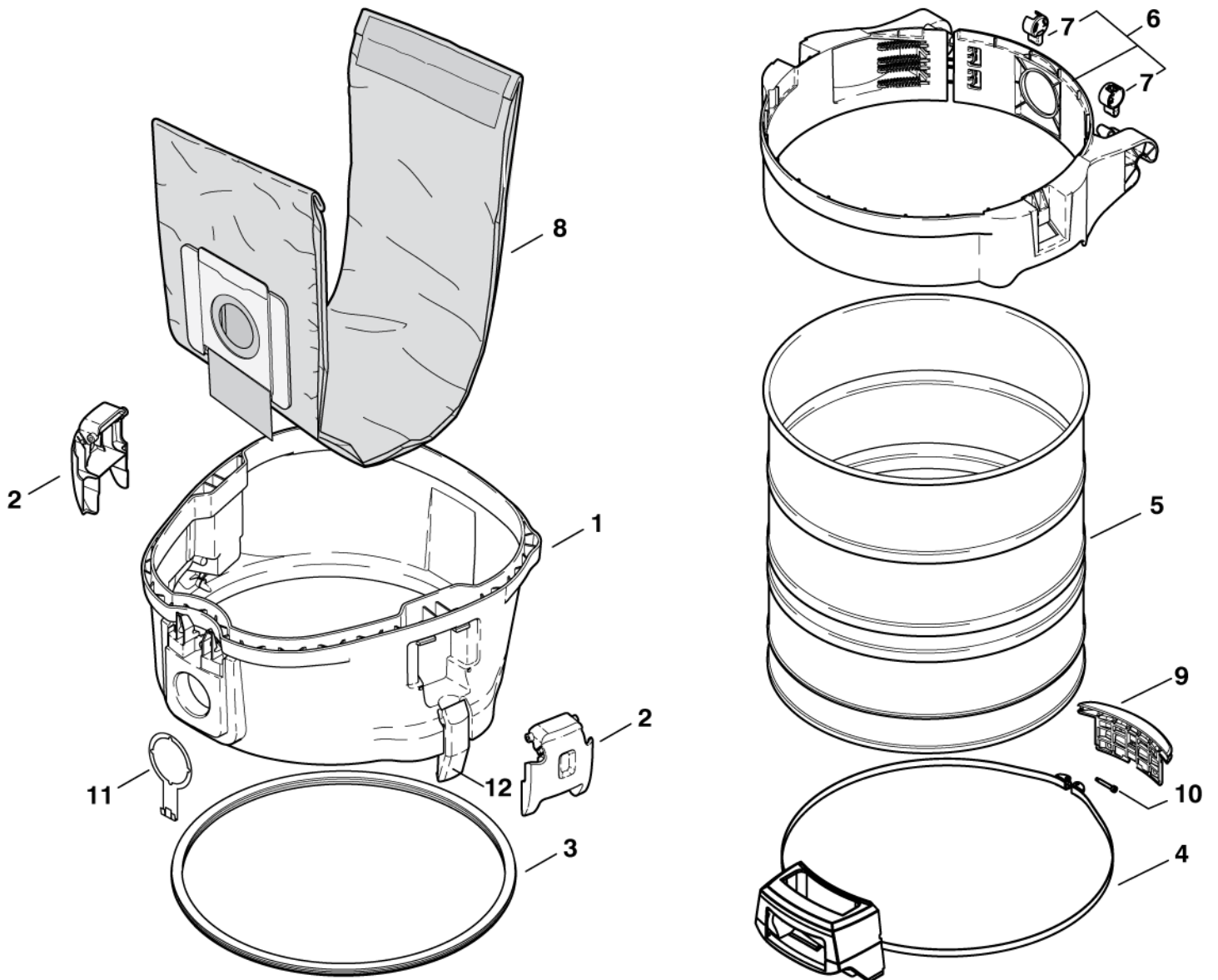
Container (ATTIX 791-21)

ATTIX 590, 791, EC 12 GALLON

23-06-2009

Part List ID
ATTIX59012

11



Container (ATTIX 791-21)

ATTIX 590, 791, EC 12 GALLON

23-06-2009

Part List ID
ATTIX59012

12

Pos	Part no.	Qty	Description	EAN
1	302001610	1	ADAPTORRING CPL /ALTO ATTIX 7/	4005337068
2	302000349	2	LOCKING CLAMP	4005337674
3	302001432	1	GASKET CONTAINER	4005337067
4	302001605	1	HANDLE W/ TAPE	4005337068
5	302001362	1	CONTAINER R408X430SS	4005337045
6	302001704	1	BELT CONTAINER D480 SET1	4005337072
7	302001441	2	INTERLOCK ATTIX 7	4005337059
8	302001484	1	FILTER BAG SET5 ATTIX 7	4005337061
9	302001363	1	CONTAINER STOPPER ATTIX 7	4005337045
10	302001613	1	SCREW M5X35X5	4005337068
11	107400145	1	GROUND CONNECTOR ATTIX 7	4005337151
12	19880	1	FIXING CLAMP WAS 11370/19	4005337198

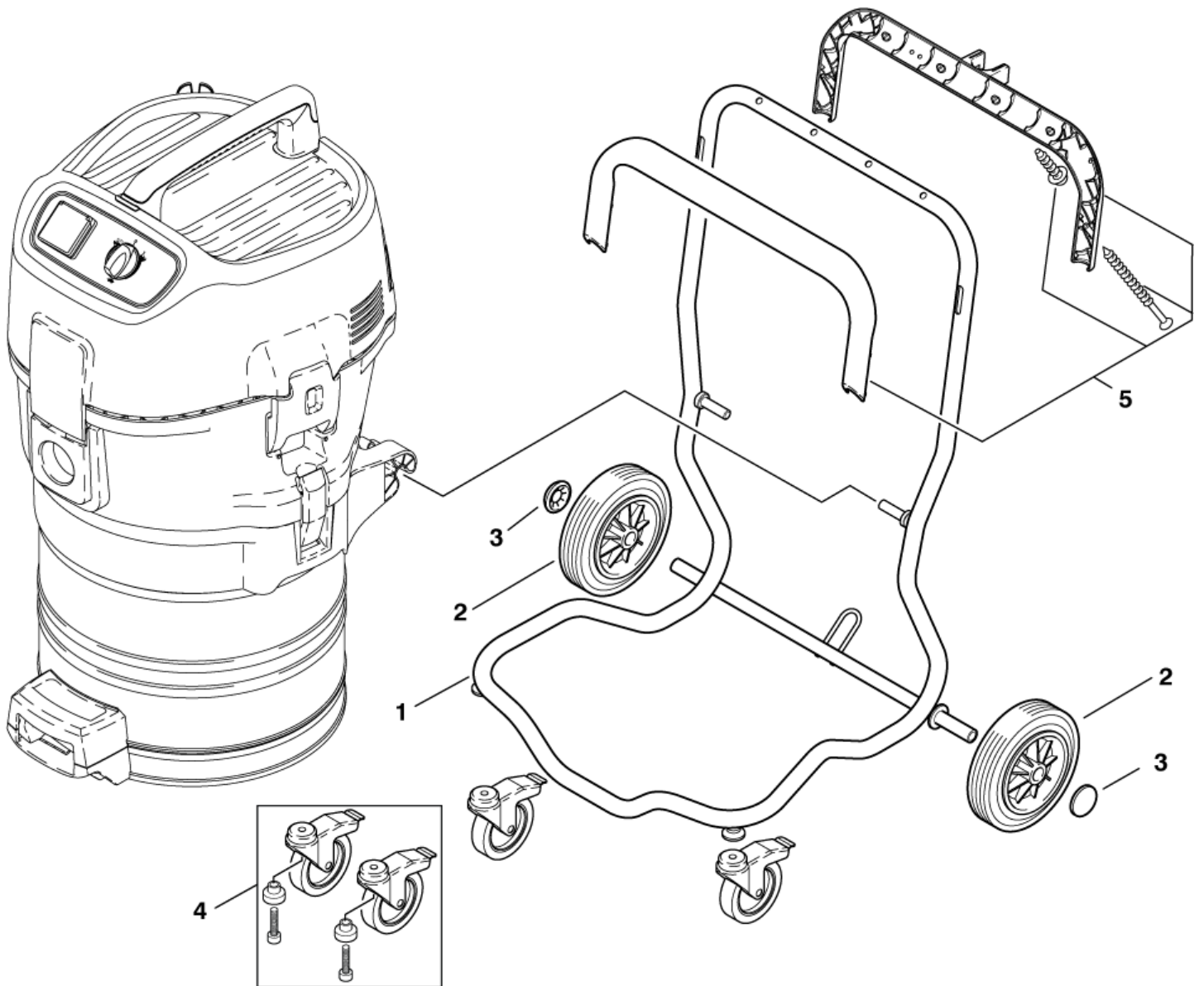
Frame (ATTIX 791-21)

ATTIX 590, 791, EC 12 GALLON

23-06-2009

Part List ID
ATTIX59016

13



Frame (ATTIX 791-21)

ATTIX 590, 791, EC 12 GALLON

23-06-2009

Part List ID
ATTIX59016

14

Pos	Part no.	Qty	Description	EAN
1	302001437	1	BASE FRAME ATTIX 7	4005337056
2	302000334	2	WHEEL D200X45	4005337674
3	3750	2	CAP Ø20	4005337037
4	107401054	2	CASTOR TURNABLE WITH BRAKE KIT	7319519676
5	302001706	1	HANDELBAR KIT-1	4005337072

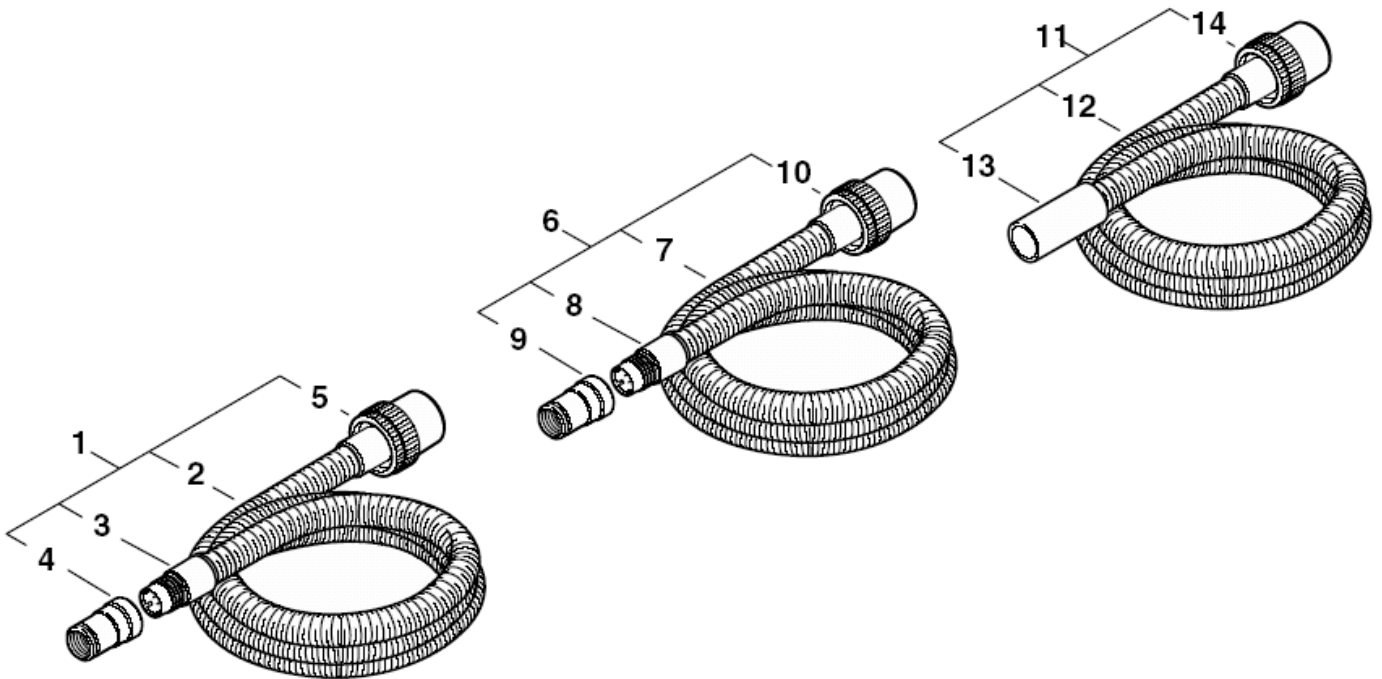
Accessories

ATTIX 590, 791, EC 12 GALLON

23-06-2009

Part List ID
ATTIX59020

15



Accessories

ATTIX 590, 791, EC 12 GALLON

23-06-2009

Part List ID
ATTIX59020

16

Pos	Part no.	Qty	Description		EAN
1	15325	1	AS HOSED27X3500 WITH TOOL A	590-21, 791-21	4005337153
2	15326	1	HOSE AS Ø 27 PER METRE	590-21, 791-21	4005337153
3	63509	1	HOSE SLEEVE 27	590-21, 791-21	4005337635
4	18195	1	TOOL ADAPTER Ø 27	590-21, 791-21	4005337181
5	15369	1	HOSE SLEEVE Ø 27/50	590-21, 791-21	4005337153
6	48132	1	HOSED27X4000 CONDUCTIVE	791-2M/B1	4005337481
7	15326	1	HOSE AS Ø 27 PER METRE	791-2M/B1	4005337153
8	63509	1	HOSE SLEEVE 27	791-2M/B1	4005337635
9	18195	1	TOOL ADAPTER Ø 27	791-2M/B1	4005337181
10	48068	1	HOSE SLEEVE Ø 27 B1	791-2M/B1	4005337480
11	302000693	1	SUCTION HOSE 32X3000 COMPL.	EC 12 GALLON AS/E	4005337690
12	43502	1	HOSE AS Ø32 P/METER	EC 12 GALLON AS/E	4005337435
13	14682	1	HOSE SLEEVE Ø 32	EC 12 GALLON AS/E	4005337146
14	30928	1	HOSE SLEEVE AS Ø 32/50	EC 12 GALLON AS/E	4005337309