

# FLOORTEC 550P

Model:  
FLOORTEC 550 P



## **heupel** Reinigungstechnik GmbH

Gottlieb Daimler Str. 6  
88214 Ravensburg

email: [info@heupel-gmbh.de](mailto:info@heupel-gmbh.de)  
[www.heupel-gmbh.de](http://www.heupel-gmbh.de)

Tel: (049) 0751 - 35905-3  
Fax: (049) 0751 - 35905-59

**Shop: [www.heupel-shop.de](http://www.heupel-shop.de)**

Heupel - Reinigungstechnik - Beratung, Verkauf, Service, alles aus einer Hand.

# Nilfisk ALTO

*Why Compromise*

[www.nilfisk-alto.com](http://www.nilfisk-alto.com)

# Table of Contents

FLOORTEC 550P

<b>Chassis system</b>	<b>3</b>
<b>Main broom assy</b>	<b>5</b>
<b>Side broom assy</b>	<b>7</b>
<b>Drive wheel assy</b>	<b>9</b>
<b>Hopper system</b>	<b>11</b>
<b>Engine assy</b>	<b>13</b>
<b>Transmission assy</b>	<b>15</b>
<b>Belt tensioner system</b>	<b>17</b>
<b>Motor reduction assy</b>	<b>19</b>
<b>Control panel</b>	<b>22</b>
<b>Dust control system</b>	<b>24</b>
<b>Handle system</b>	<b>26</b>
<b>Hub assembly left &amp; right</b>	<b>28</b>
<b>Decals</b>	<b>30</b>
<b>Wear parts</b>	<b>32</b>
<b>Options</b>	<b>34</b>

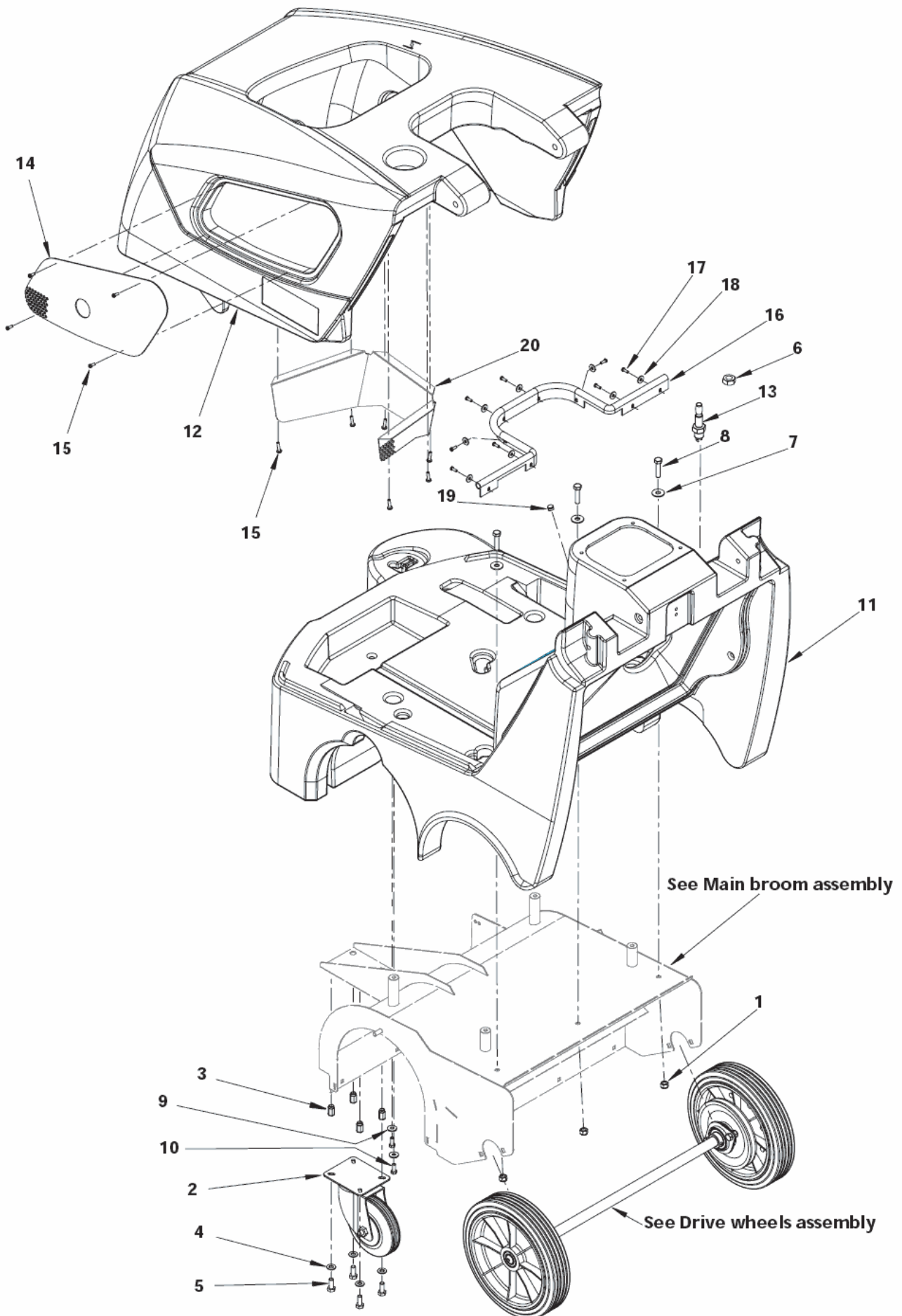
# Chassis system

FLOORTEC 550P

10-07-2009

Part List ID  
550P01

3



# Chassis system

FLOORTEC 550P

10-07-2009

Part List ID

550P01

4

Pos	Part no.	Qty	Description	EAN
1	33005607	3	NUT SELF L. M8 UNI7474	5711140066
2	145 5115 000	1	CASTOR	5711140027
2	146 0569 000	1	WHEEL, CASTOR WITH BRAKE	5715492038
			OPTIONAL	
3	145 6133 000	4	INSERT M8	5711140031
4	33005915	4	WASHER M8 UNI6592	5711140067
5	33005444	4	SCREW M8X20 UNI5739 GALVANIZED	5711140065
6	146 0637 000	1	NUT HEX M14 UNI5589	5711140033
7	L08300000	3	WASHER 8X24 UNI6592	5711140012
8	33003997	3	SCREW M8X35 UNI5739	5711140062
9	L08228600	2	WASHER 6X18 UNI6592	5711140012
10	33003974	2	SCREW M6X16 UNI5739	5711140062
11	146 2324 000	1	CHASSIS ROTOMOLDED	5711140043
12	146 2332 000	1	HOOD ROTOMOLDED.PETROL	5711140043
13	146 0680 000	1	SWITCH.HOOD SAFETY	5711140033
14	146 0688 000	1	GRATE OUTLET	5711140033
15	L08812590	10	SCREW 4.5X19 THD FORM	5711140018
16	146 0662 000	1	GASKET	5711140033
17	146 0669 000	8	SCREW 4X12	5711140033
18	145 1261 000	8	WASHER 5X15X1.5 UNI6593	5711140022
19	145 4260 000	1	CAP D.14.7	5711140011
20	146 0768 000	1	GRATE	5711140033

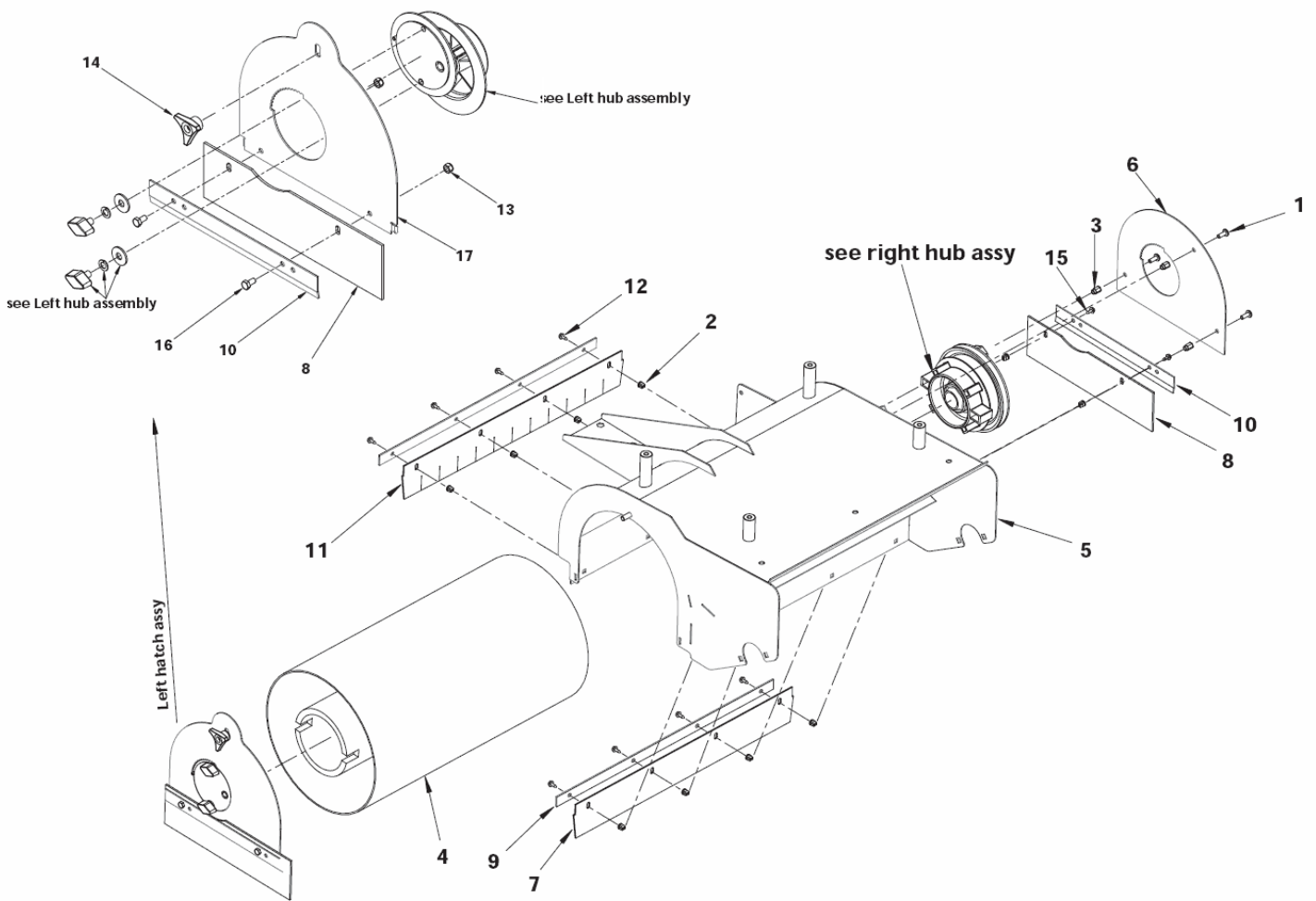
# Main broom assy

FLOORTEC 550P

10-07-2009

Part List ID  
550P02

5



# Main broom assy

FLOORTEC 550P

10-07-2009

Part List ID

550P02

6

Pos	Part no.	Qty	Description	EAN
1	L08812095	3	SCREW M6X16 UNI7687	5711140017
2	145 4652 000	10	SCREW NUT	5711140025
3	145 4772 000	3	INSERT M6	5711140026
4	145 4792 000	1	BROOM MAIN 265X500 PPL 0,7	5715492038
4	145 4973 000	1	BROOM MAIN 265X500 STEEL MIX OPTIONAL	5715492038
4	145 4974 000	1	BROOM MAIN 265X500 NATURAL FIBRE OPTIONAL	5715492038
5	146 0551 000	1	SUPPORT MAIN BROOM	5711140032
6	146 2329 000	1	HATCH RIGHT MAIN BROOM	5711140043
7	146 0554 000	1	SKIRT FRONT/REAR NEOPRENE BLACK	5715492038
8	146 0555 000	2	SKIRT SIDE	5711140032
8	146 0587 000	2	SKIRT SIDE NON MARKING OPTIONAL	5715492038
9	146 2330 000	2	PLATE FRONT SKIRT	5711140043
10	146 2331 000	2	PLATE SIDE SKIRT	5711140043
11	146 0586 000	2	SKIRT FRONT NON MARKING OPTIONAL	5715492038
11	146 0628 000	1	SKIRT FRONT SOFT	5715492038
12	146 0633 000	9	SCREW 3.9X13	5711140033
13	L08603682	2	NUT SELF L. M6 UNI7474	5711140015
14	145 5035 000	1	KNOB M8	5711140012
15	146 2085 000	1	SCREW 3.9X13	5711140042
16	33003972	2	SCREW M6X12 UNI5739	5711140062
17	146 2326 000	1	HATCH LEFT MAIN BROOM	5711140043

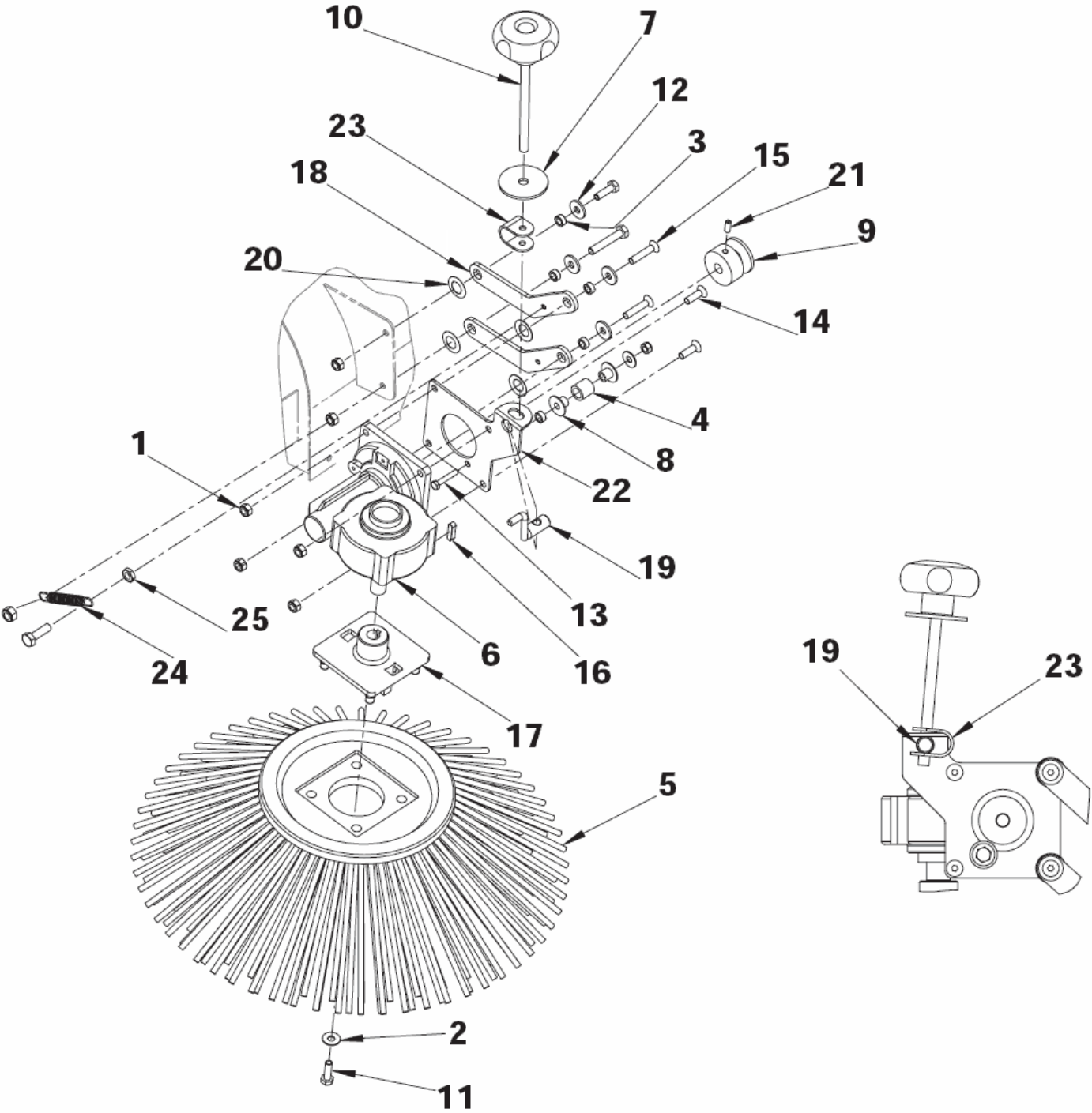
# Side broom assy

FLOORTEC 550P

10-07-2009

Part List ID  
550P03

7



# Side broom assy

FLOORTEC 550P

10-07-2009

Part List ID  
550P03

8

Pos	Part no.	Qty	Description	EAN
1	33005604	9	NUT SELF L. M6 UNI7474	5711140066
2	146 0250 000	1	WASHER 6.4X16.3X1 UNI1739	5711140022
3	145 1252 000	4	SPACER 6.5X10X5	5711140004
4	145 1751 000	1	SPACER D.10.5XD.15X15	5711140004
5	145 1899 000	1	BROOM SIDE 180X420 PPL 0,8	5715492038
5	145 4959 000	1	BROOM SIDE 180X420 STEEL MIX OPTIONAL	5715492038
5	145 4976 000	1	BROOM SIDE 180X420 NATURAL FIBRE OPTIONAL	5715492038
6	145 2324 000	1	GEAR RIGHT	5711140001
7	146 1488 000	1	WASHER 9X45X3 UNI6592	5711140039
8	145 4744 000	2	SPACER D.6.3XD.20X10	5711140026
9	145 5470 000	1	PULLEY GEAR CONTROL	5711140028
10	145 8455 000	1	KNOB M8X112	5711140012
11	33003975	3	SCREW M6X20 UNI5739	5711140062
12	L08228600	4	WASHER 6X18 UNI6592	5711140012
13	33003978	2	SCREW M6X35 UNI5739	5711140062
14	33004578	2	SCREW M6X20 UNI5933	5711140064
15	33004580	2	SCREW M6X30 UNI5933	5711140064
16	145 9774 000	1	KEY 5X5X20 UNI6604A	5711140023
17	146 0402 000	1	FLANGE BROOM HOLDING	5711140032
18	146 0558 000	2	ARM SIDE BROOM	5711140032
19	146 0560 000	1	HOOK SIDE BROOM	5711140032
20	146 0617 000	4	BELLEVILLE WASHER	5711140033
21	146 0622 000	1	SCREW GRUB M5X12 UNI5929	5711140033
22	146 0703 000	1	PLATE	5711140033
23	146 0712 000	1	CLAMP	5711140033
24	145 0274 000	1	SPRING	5711140004
25	33005531	1	NUT HEX M6 UNI5589	5711140066

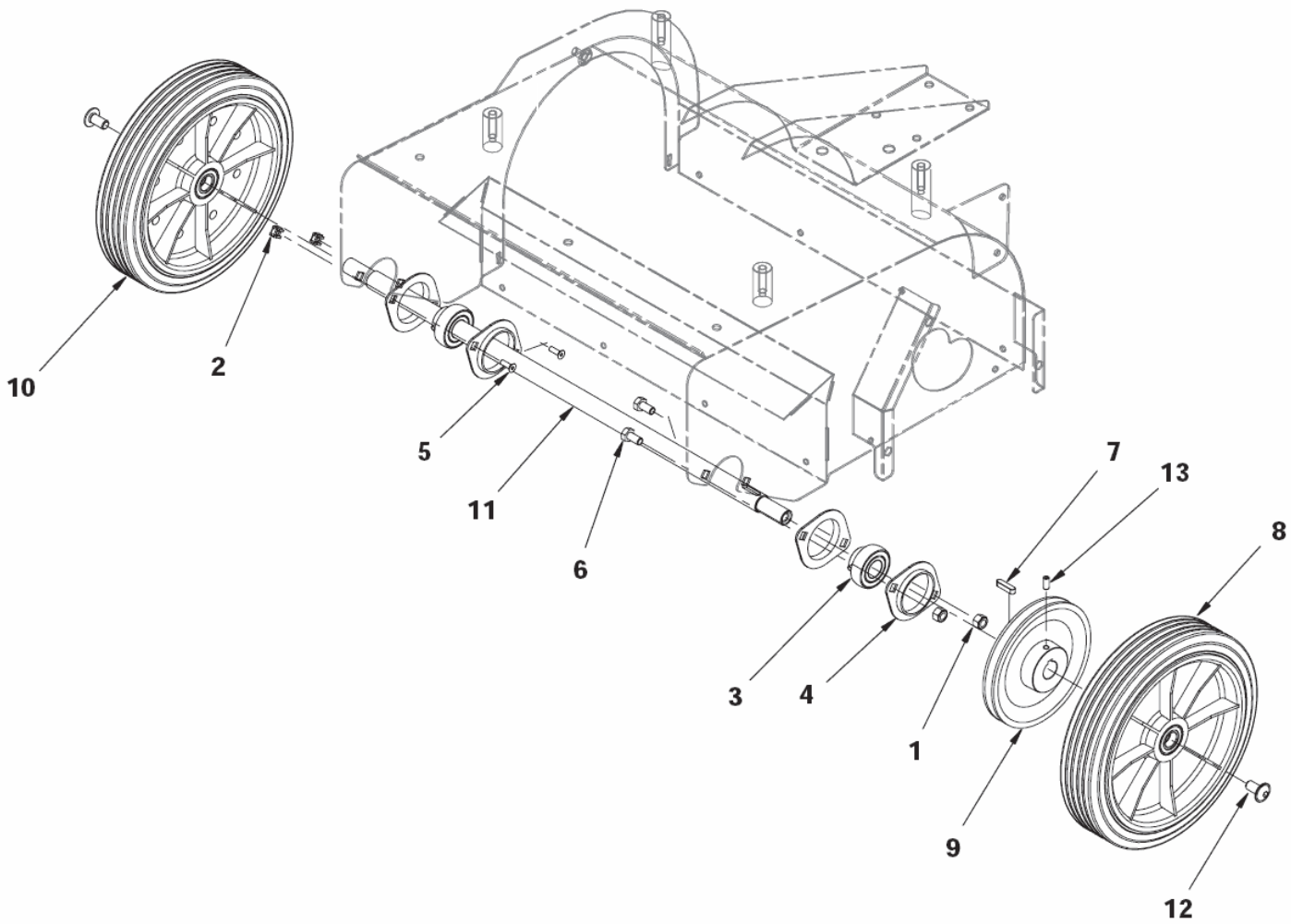
# Drive wheel assy

FLOORTEC 550P

10-07-2009

Part List ID 550P04

9



# Drive wheel assy

FLOORTEC 550P

10-07-2009

Part List ID  
550P04

10

Pos	Part no.	Qty	Description	EAN
1	33005607	2	NUT SELF L. M8 UNI7474	5711140066
2	145 0497 000	2	NUT M5	5711140022
3	145 1123 000	2	BALL BEARING YAT204	5711140002
4	145 8543 000	2	SUPPORT	5711140001
5	33004563	2	SCREW M5X16 UNI5933	5711140064
6	33003993	2	SCREW M8X16 UNI5739	5711140062
7	145 9899 000	1	KEY 6X6X25 UNI6604A	5711140023
8	146 0513 000	1	WHEEL RIGHT	5711140032
9	146 0517 000	1	PULLEY D.140	5711140032
10	146 0518 000	1	WHEEL LEFT	5711140032
11	146 0533 000	1	SHAFT	5711140032
12	146 0582 000	2	SCREW M10X20 ISO7380FLA	5711140033
13	146 0640 000	1	SCREW GRUB M6X14 UNI5929	5711140033

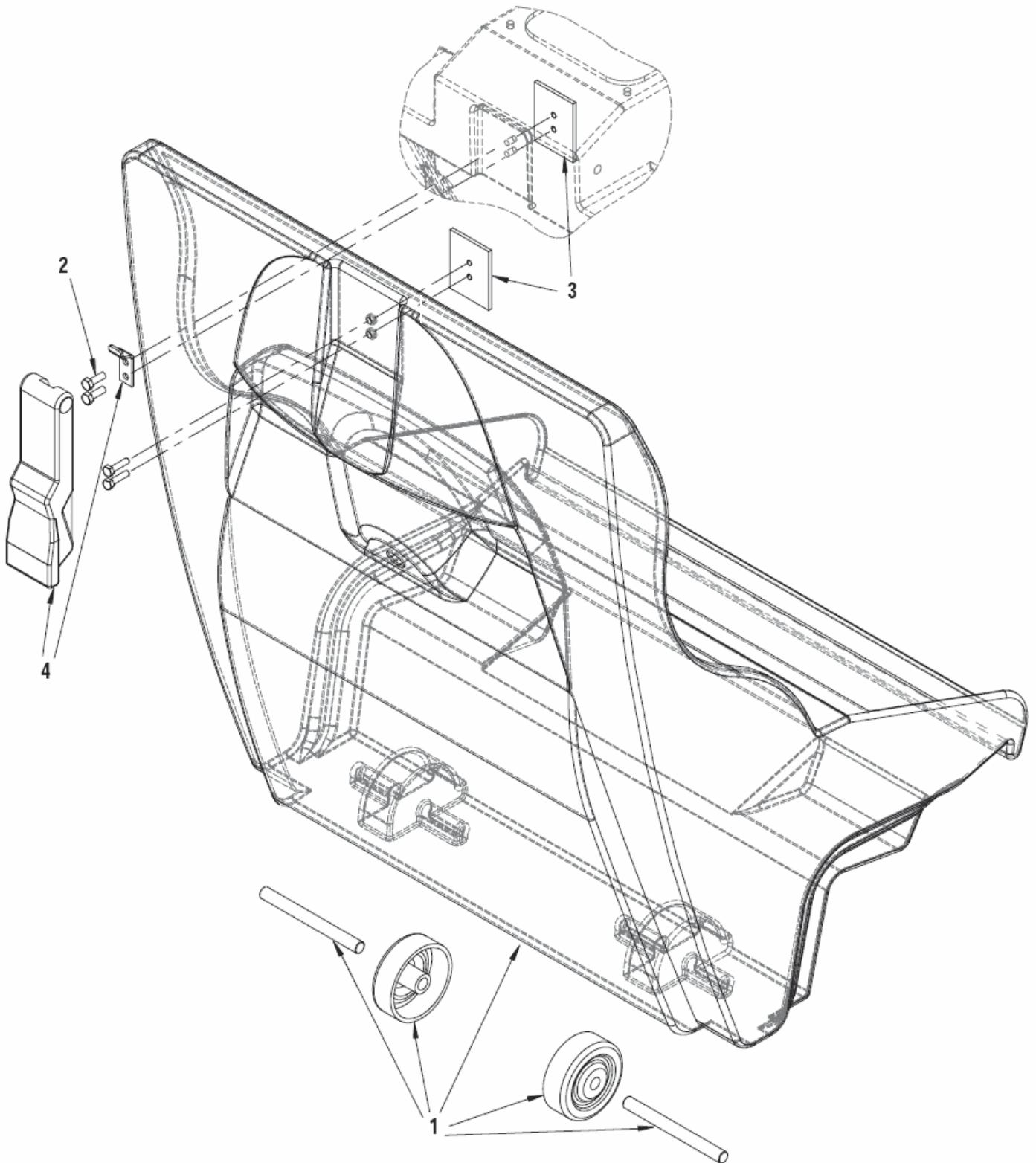
# Hopper system

FLOORTEC 550P

10-07-2009

Part List ID  
550P05

11



# Hopper system

FLOORTEC 550P

10-07-2009

Part List ID

550P05

12

Pos	Part no.	Qty	Description	EAN
1	146 2322 000	1	CONTAINER DIRT ROTOMOLDED	5711140043
2	33003963	4	SCREW M5X20 UN15739	5711140061
3	146 0562 000	2	PLATE	5711140032
4	146 0520 000	1	HOOK RUBBER	5711140032

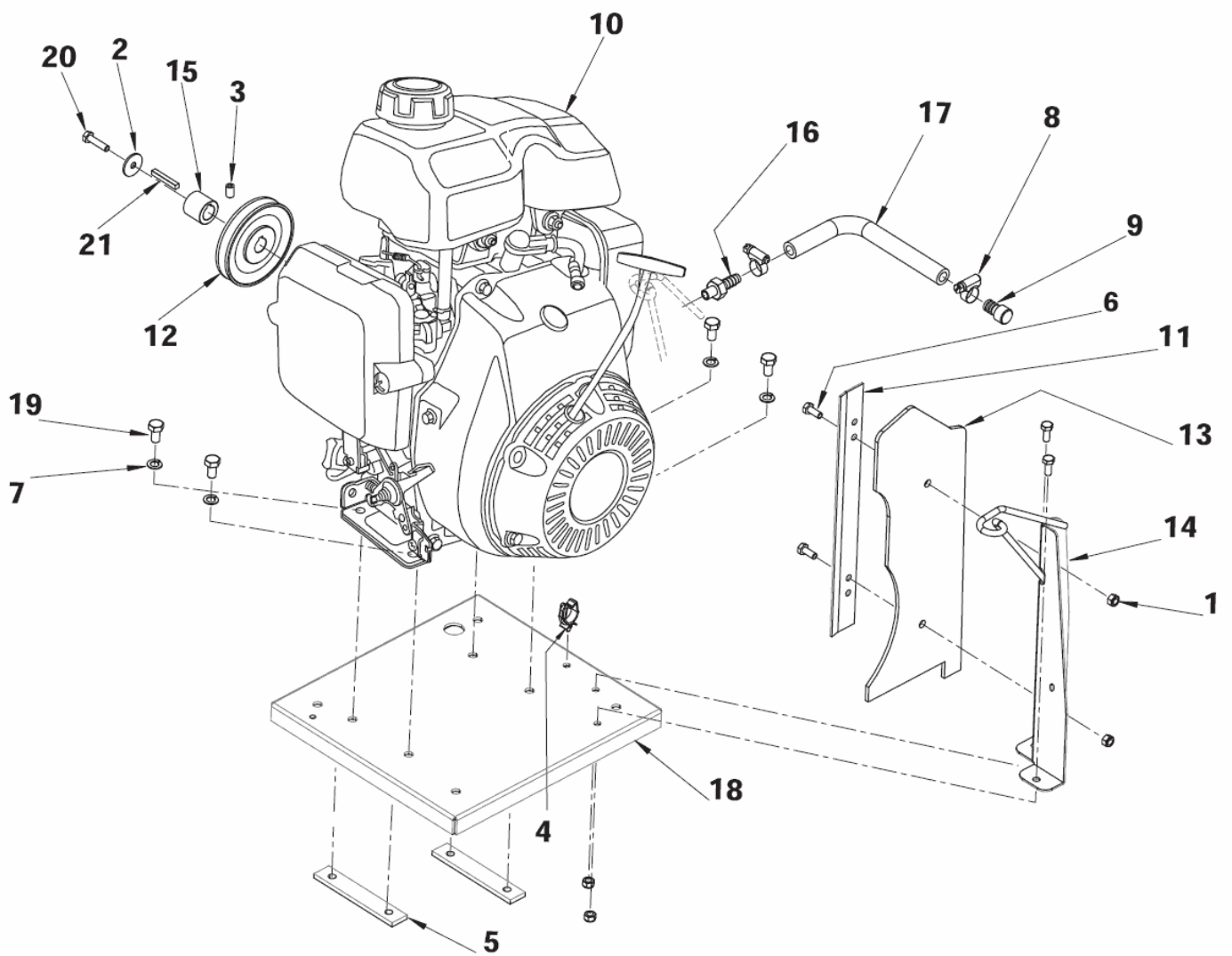
# Engine assy

FLOORTEC 550P

10-07-2009

Part List ID  
550P06

13



# Engine assy

FLOORTEC 550P

10-07-2009

Part List ID  
550P06

14

Pos	Part no.	Qty	Description		EAN
0	146 0822 000	1	PLUG.SPARK	NOT SHOWN	5711140034
0	146 0823 000	1	FILTER.AIR	NOT SHOWN	5711140034
0	146 0824 000	1	PRE-FILTER AIR	NOT SHOWN	5711140034
1	33005604	4	NUT SELF L. M6 UNI7474		5711140066
2	145 0493 000	1	WASHER 6.4X24X1.5 UNI6593		5711140022
3	145 1228 000	1	SCREW GRUB M6X10 UNI5929		5711140022
4	146 0987 000	1	CLAMP		5711140035
5	145 1293 000	2	PLATE. ENGINE FIXING		5711140007
6	33003974	4	SCREW M6X16 UNI5739		5711140062
7	33005842	4	WASHER M8 UNI1751B		5711140067
8	145 8582 000	2	CLAMP 8/ 9-16		5711140023
9	145 9220 000	1	CAP D.10-17		5711140020
10	146 0827 000	1	ENGINE PETROL 3HP		5711140034
11	146 2331 000	1	PLATE SIDE SKIRT		5711140043
12	146 0828 000	1	PULLEY D.85		5711140034
13	146 0684 000	1	PANEL RUBBER		5711140033
14	146 0685 000	1	SUPPORT		5711140033
15	146 0829 000	1	SPACER		5711140034
16	146 0691 000	1	HOLDER RUBBER M10X1.25		5711140033
17	146 0692 000	1	HOSE.OIL DRAIN		5711140033
18	146 2138 000	1	PLATE.ENGINE SUPPORT		5711140042
19	146 0700 000	4	SCREW M8X14 UNI5739		5711140033
20	33003975	1	SCREW M6X20 UNI5739		5711140062
21	146 0830 000	1	KEY 5X5X36 UNI6604A		5711140034

# Transmission assy

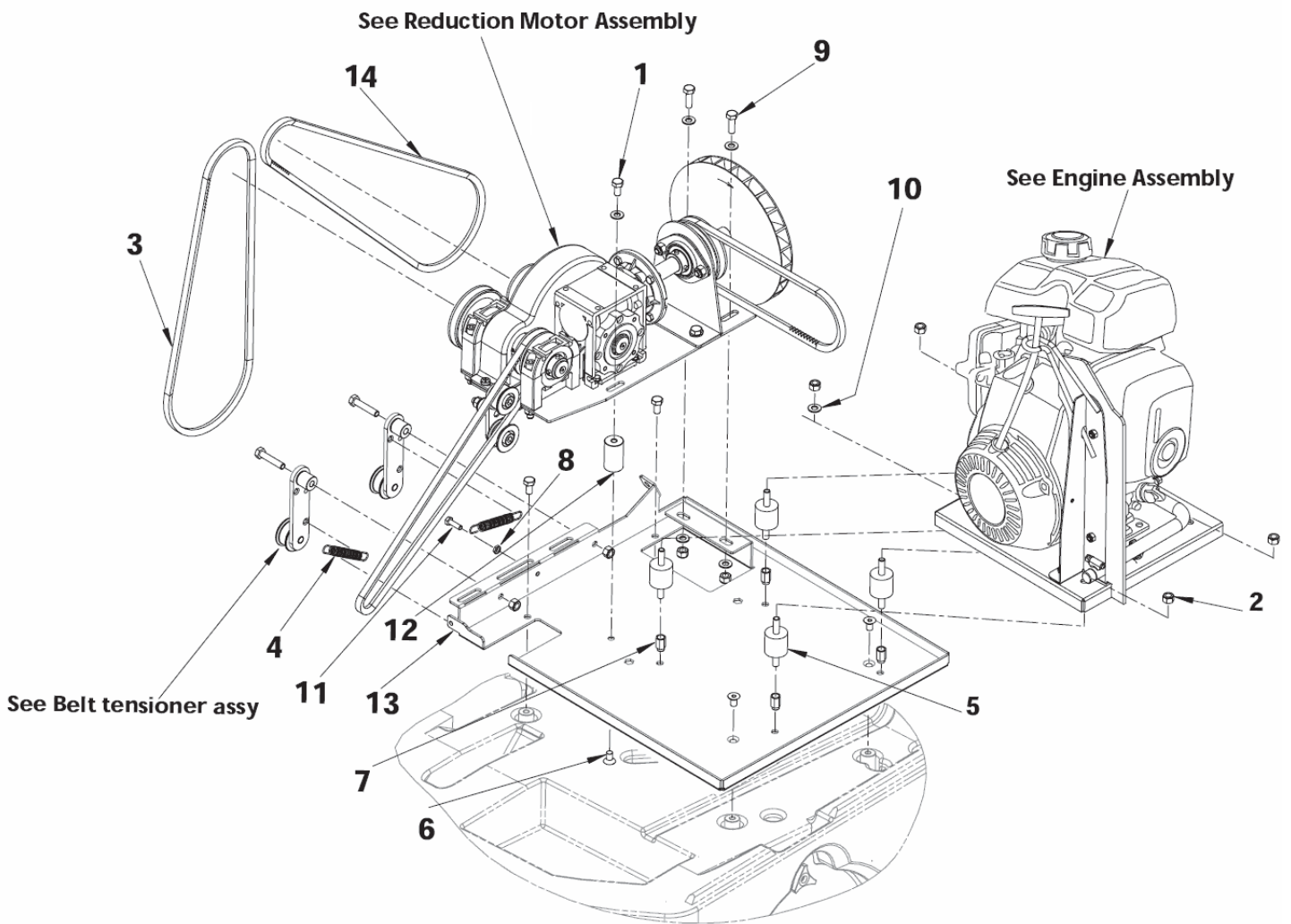
FLOORTEC 550P

10-07-2009

Part List ID

550P07

15



# Transmission assy

FLOORTEC 550P

10-07-2009

Part List ID  
550P07

16

Pos	Part no.	Qty	Description	EAN
1	L08274300	3	SCREW M8X16 UNI5739	5711140012
2	33005607	6	NUT SELF L. M8 UNI7474	5711140066
3	146 0150 00	1	BELT	5711140031
4	145 0274 000	2	SPRING	5711140004
5	146 1318 000	4	VIBRATION DUMPING M8 SH45	5711140037
6	145 4487 000	3	SCREW M8X15 UNI5933	5711140021
7	145 6133 000	4	INSERT M8	5711140031
8	33005531	1	NUT HEX M6 UNI5589	5711140066
9	33005445	2	SCREW M8X25 UNI5739 GALVANIZED	5711140065
10	33005915	6	WASHER M8 UNI6592	5711140067
11	33003975	1	SCREW M6X20 UNI5739	5711140062
12	146 0515 000	1	SPACER	5711140032
13	146 0536 000	1	PLATE	5711140032
14	146 0767 000	1	BELT	5711140033

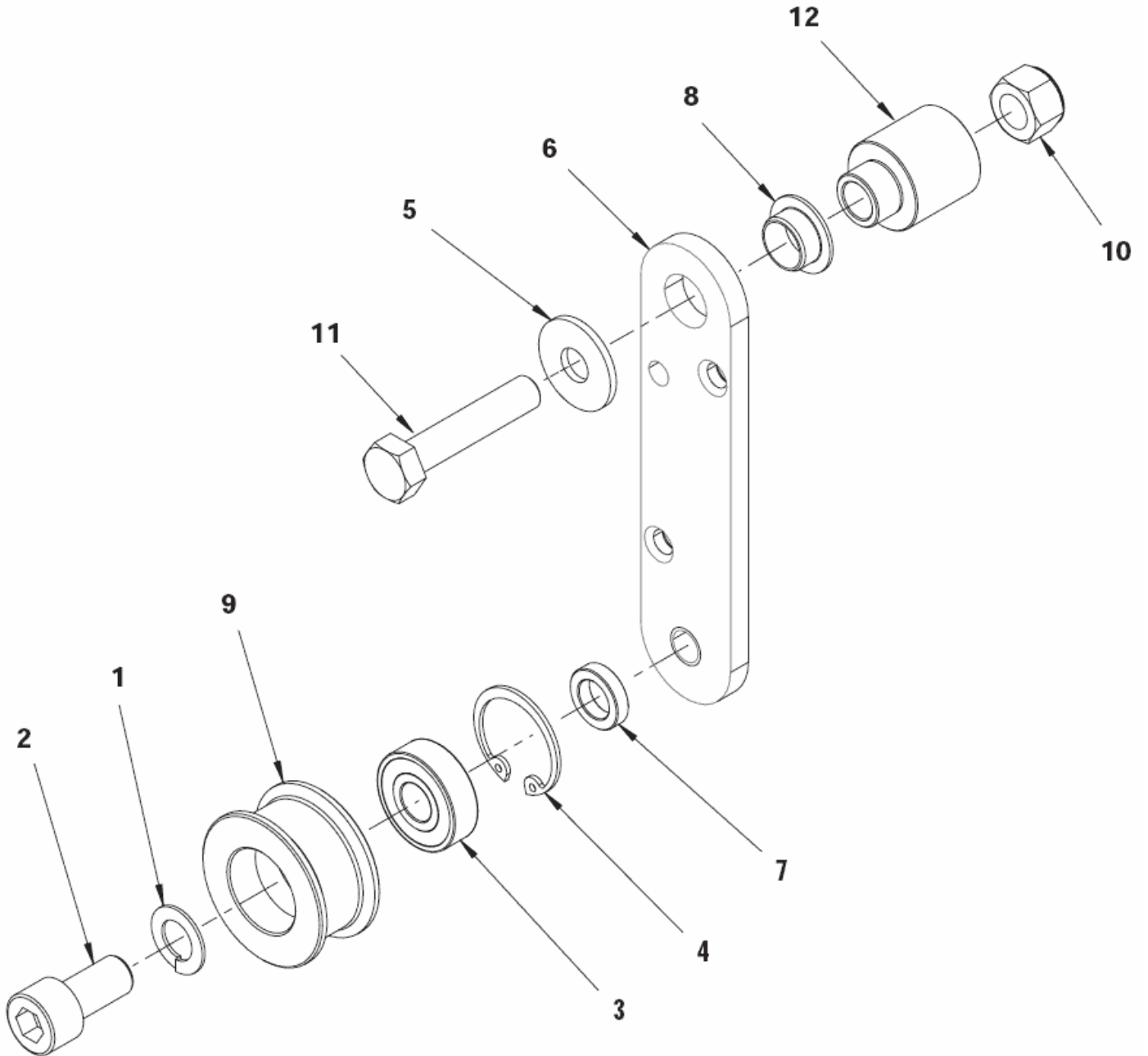
# Belt tensioner system

FLOORTEC 550P

10-07-2009

Part List ID  
550P08

17



# Belt tensioner system

FLOORTEC 550P

10-07-2009

Part List ID

550P08

18

Pos	Part no.	Qty	Description	EAN
1	33005843	1	WASHER M10 UNI1751B	
2	145 5742 000	1	SCREW M10X20 UNI5931	5711140029
3	145 9186 000	1	BALL BEARING 6000 2RS	5711140002
4	33006156	1	RING D 26 UNI7437	5711140067
5	L08300000	1	WASHER 8X24 UNI6592	5711140012
6	146 0547 000	1	ARM BELT TENSIONER	5711140032
7	146 0548 000	1	SPACER 10.1X16X4	5711140032
8	146 0549 000	1	BUSH FLANGED	5711140032
9	146 0583 000	1	ROLLER BELT TENSIONER	5711140033
10	33005607	1	NUT SELF L. M8 UNI7474	5711140066
11	33003998	1	SCREW M8X40 UNI5739	5711140062
12	146 0550 000	1	BUSHING	5711140032

# Motor reduction assy

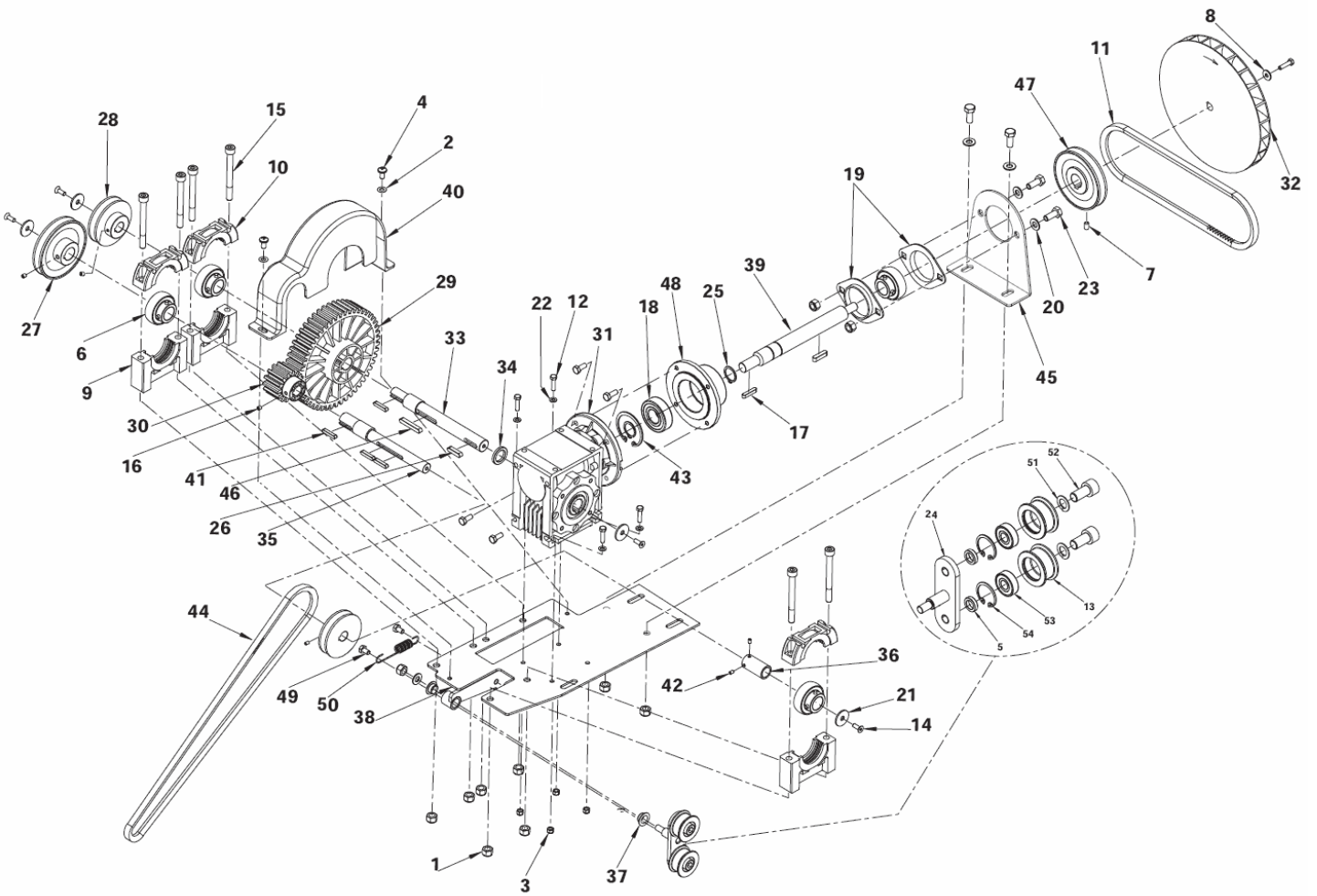
FLOORTEC 550P

10-07-2009

Part List ID

550P09

19



# Motor reduction assy

FLOORTEC 550P

10-07-2009

Part List ID  
550P09

20

Pos	Part no.	Qty	Description	EAN
1	33005607	1	NUT SELF L. M8 UNI7474	5711140066
2	L08602395	1	WASHER FLAT 6X12,5	
3	33005603	1	NUT SELF L. M5 UNI7474	5711140066
4	L08603706	1	SCREW M6X12 UNI7687	5711140015
5	146 0548 000	1	SPACER 10.1X16X4	5711140032
6	145 1123 000	1	BALL BEARING YAT204	5711140002
7	145 1228 000	1	SCREW GRUB M6X10 UNI5929	5711140022
8	145 1261 000	1	WASHER 5X15X1.5 UNI6593	5711140022
9	145 1976 000	1	SUPPORT BEARING LOW	5711140025
10	145 1977 000	1	SUPPORT BEARING UPPER	5711140025
11	145 3853 000	1	BELT SPZX 710	5711140009
12	33003963	1	SCREW M5X20 UNI5739	5711140061
13	146 0583 000	1	ROLLER BELT TENSIONER	5711140033
14	33004562	1	SCREW M5X14 UNI5933	5711140064
15	145 5741 000	1	SCREW M8X80 UNI5931	5711140029
16	145 5913 000	1	SCREW GRUB M5X6 UNI5929	5711140030
17	145 8024 000	1	KEY 5X5X25 UNI6604A	5711140023
18	145 8134 000	1	BALL BEARING 6204 2RS	5711140002
19	145 8543 000	1	SUPPORT	5711140001
20	33005915	1	WASHER M8 UNI6592	5711140067
21	145 9129 000	1	WASHER 6X24X2 UNI6593	5711140022
22	33005912	1	WASHER M5 UNI6592	5711140067
23	33005444	1	SCREW M8X20 UNI5739 GALVANIZED	5711140065
24	146 1137 000	1	ARM.BELT TENSIONER	5711140036
25	33006059	1	RING D 20 UNI7435	5711140067
26	145 9899 000	1	KEY 6X6X25 UNI6604A	5711140023
27	146 0514 000	1	PULLEY D.85	5711140032
28	146 0516 000	1	PULLEY D.65	5711140032
29	146 0523 000	1	GEAR	5711140032
30	146 0524 000	1	GEAR	5711140032
31	1463248000	1	REDUCTION GEAR COMPLETE 15 1	5711140049
32	146 0537 000	1	FAN	5711140032
33	146 0540 000	1	SHAFT TRANSMISSION	5711140032
34	146 0541 000	1	BUSHING	5711140032
35	146 0542 000	1	SHAFT MAIN BROOM	5711140032
36	146 0546 000	1	SPACER	5711140032
37	146 0549 000	1	BUSH FLANGED	5711140032
38	146 0563 000	1	PLATE	5711140032
39	146 1176 000	1	SHAFT REDUCTIONGEAR FAN	5711140036
40	146 0605 000	1	COVER	5711140033
41	146 0619 000	1	KEY 3/16X3/16X1	5711140033
42	146 0621 000	1	SCREW GRUB M4X 6 UNI5929	5711140033

# Motor reduction assy

FLOORTEC 550P

10-07-2009

Part List ID  
550P09

21

Pos	Part no.	Qty	Description	EAN
43	33006176	1	RING D 47 UNI7437	5711140067
44	146 0701 000	1	BELT	5711140033
45	146 0711 000	1	SUPPORT	5711140033
46	146 0769 000	1	KEY 6X6X40 UNI6604A	5711140033
47	146 0780 000	1	PULLEY	5711140034
48	146 1175 000	1	FLANGE	5711140036
49	146 1453 000	1	SCREW M6X10 UNI5739	5711140038
50	145 0262 000	1	SPRING	5711140004
51	33005843	1	WASHER M10 UNI1751B	
52	145 5742 000	1	SCREW M10X20 UNI5931	5711140029
53	145 9186 000	1	BALL BEARING 6000 2RS	5711140002
54	33006156	1	RING D 26 UNI7437	5711140067

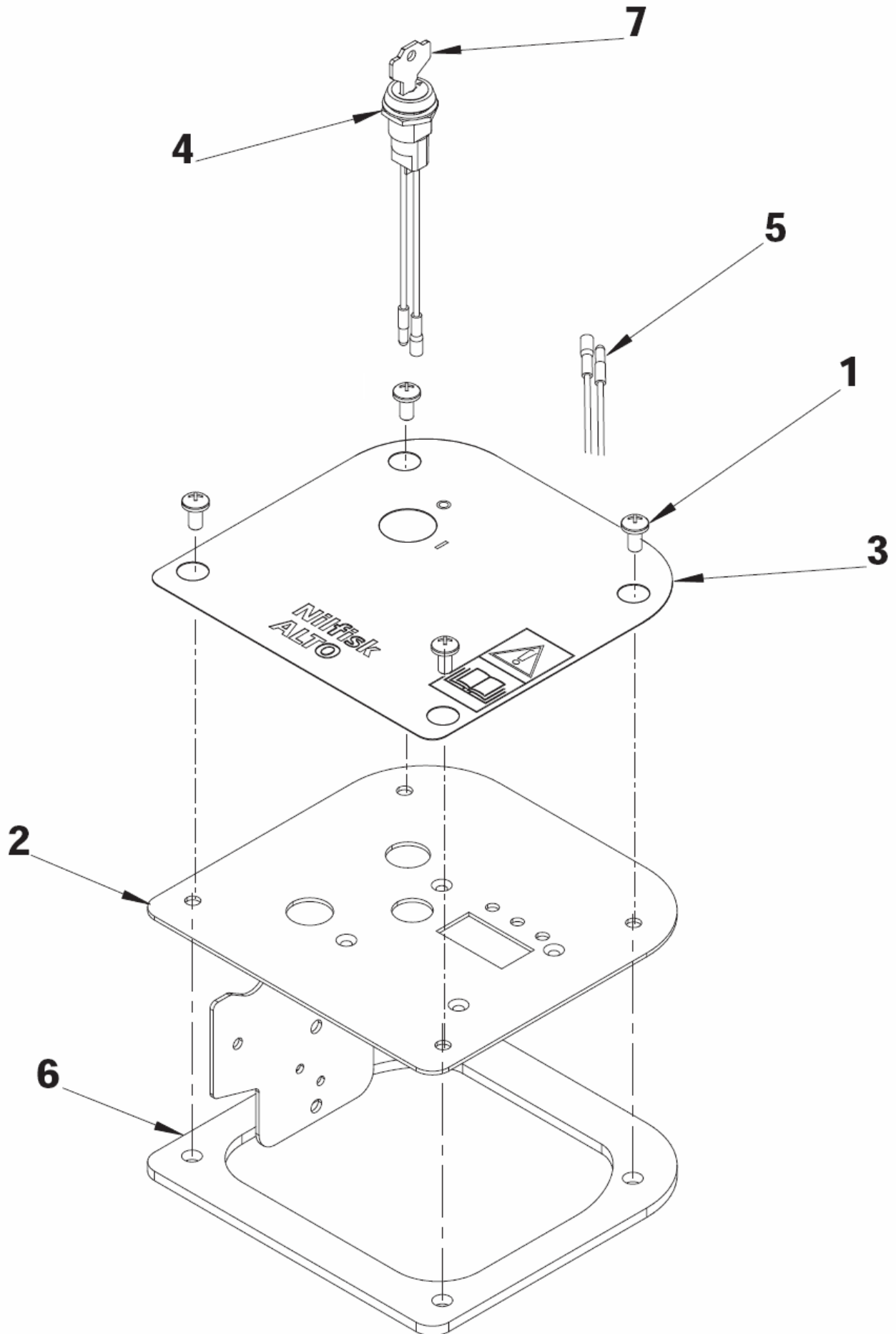
# Control panel

FLOORTEC 550P

10-07-2009

Part List ID  
550P10

22



# Control panel

FLOORTEC 550P

10-07-2009

Part List ID  
550P10

23

Pos	Part no.	Qty	Description	EAN
1	L08603706	4	SCREW M6X12 UNI7687	5711140015
2	146 0576 000	1	PANEL CONTROL	5711140032
3	146 2333 000	1	DECAL CONTROL PANEL	5711140043
4	146 0762 000	1	SWITCH KEY	5711140033
5	146 0706 000	1	HARNESS MACHINE SW700S P	5711140033
6	146 0697 000	1	GASKET	5711140033
7	146 2302 000	1	KEY -2 PCS-	5711140043

# Dust control system

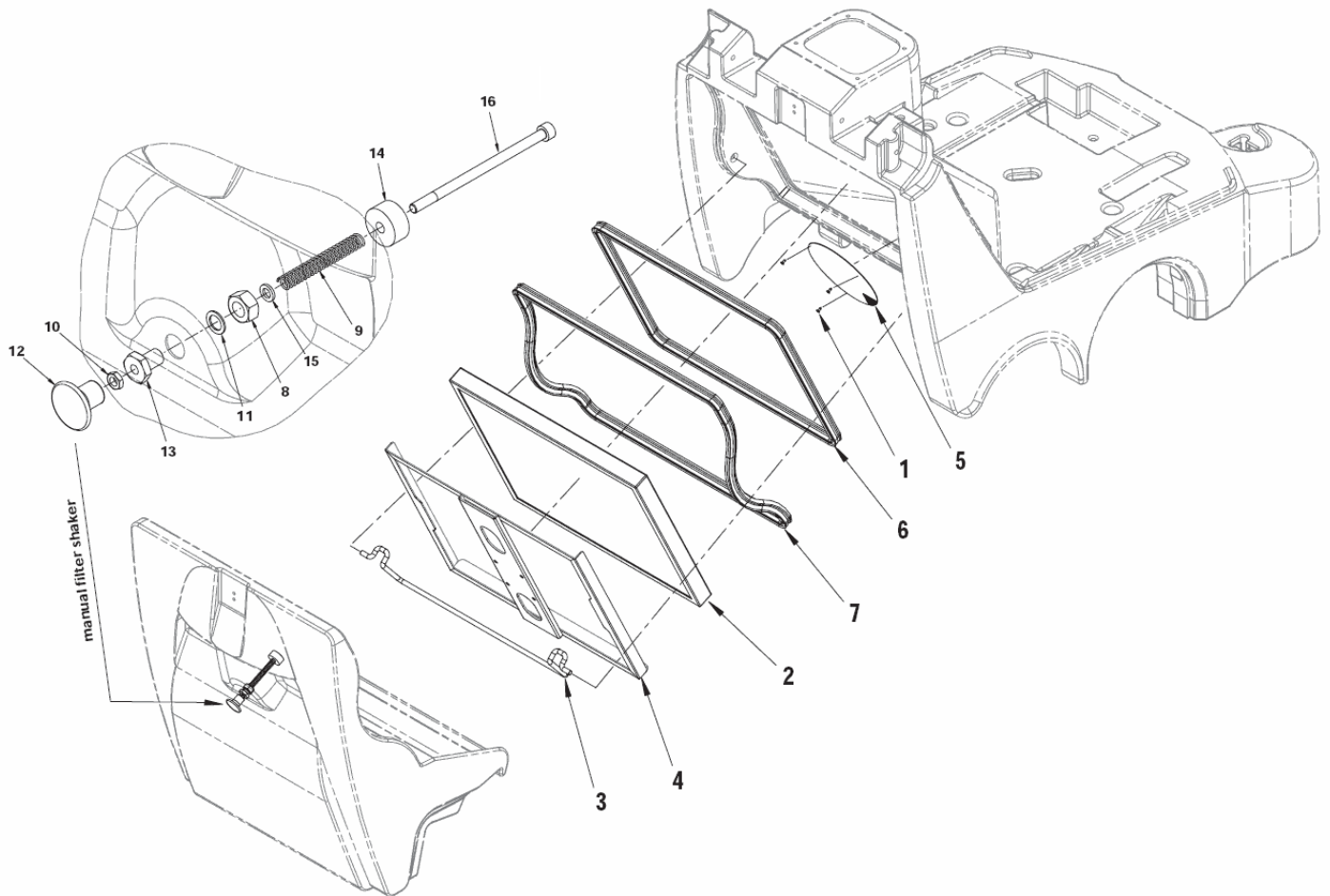
FLOORTEC 550P

10-07-2009

Part List ID

550P11

24



# Dust control system

FLOORTEC 550P

10-07-2009

Part List ID

550P11

25

Pos	Part no.	Qty	Description		EAN
0	146 0782 000	1	PRE-FILTER	OPTIONAL NOT SHOWN	5715492038
1	146 0669 000	3	SCREW 4X12		5711140033
2	145 4746 000	1	FILTER POLYESTER BIA	OPTIONAL	5715492038
2	145 4806 000	1	FILTER PAPER		5715492038
2	146 0368 000	1	FILTER POLYES.BIA ANTIST.	OPTIONAL	5715492038
3	146 0573 000	1	HOOK FILTER		5711140032
4	146 0574 000	1	FRAME FILTER		5711140032
5	146 0607 000	1	PROTECTION FAN		5711140033
6	146 0629 000	1	GASKET L1600 LL 1600		5711140033
7	146 0630 000	1	GASKET L1800		5711140033
8	33005505	1	NUT HEX M10 UNI5588		5711140065
9	145 1935 000	1	SPRING		5711140025
10	33005531	1	NUT HEX M6 UNI5589		5711140066
11	33005869	1	WASHER M10 UNI8842A		5711140067
12	145 4802 000	1	KNOB M6		5711140026
13	145 4928 000	1	BUSHING FILTER SHAKER		5711140027
14	145 5020 000	1	MASS FILTER SHAKER		5711140027
15	33005913	1	WASHER M6 UNI6592		5711140067
16	146 0636 000	1	SCREW M6X110 UNI5931		5711140033

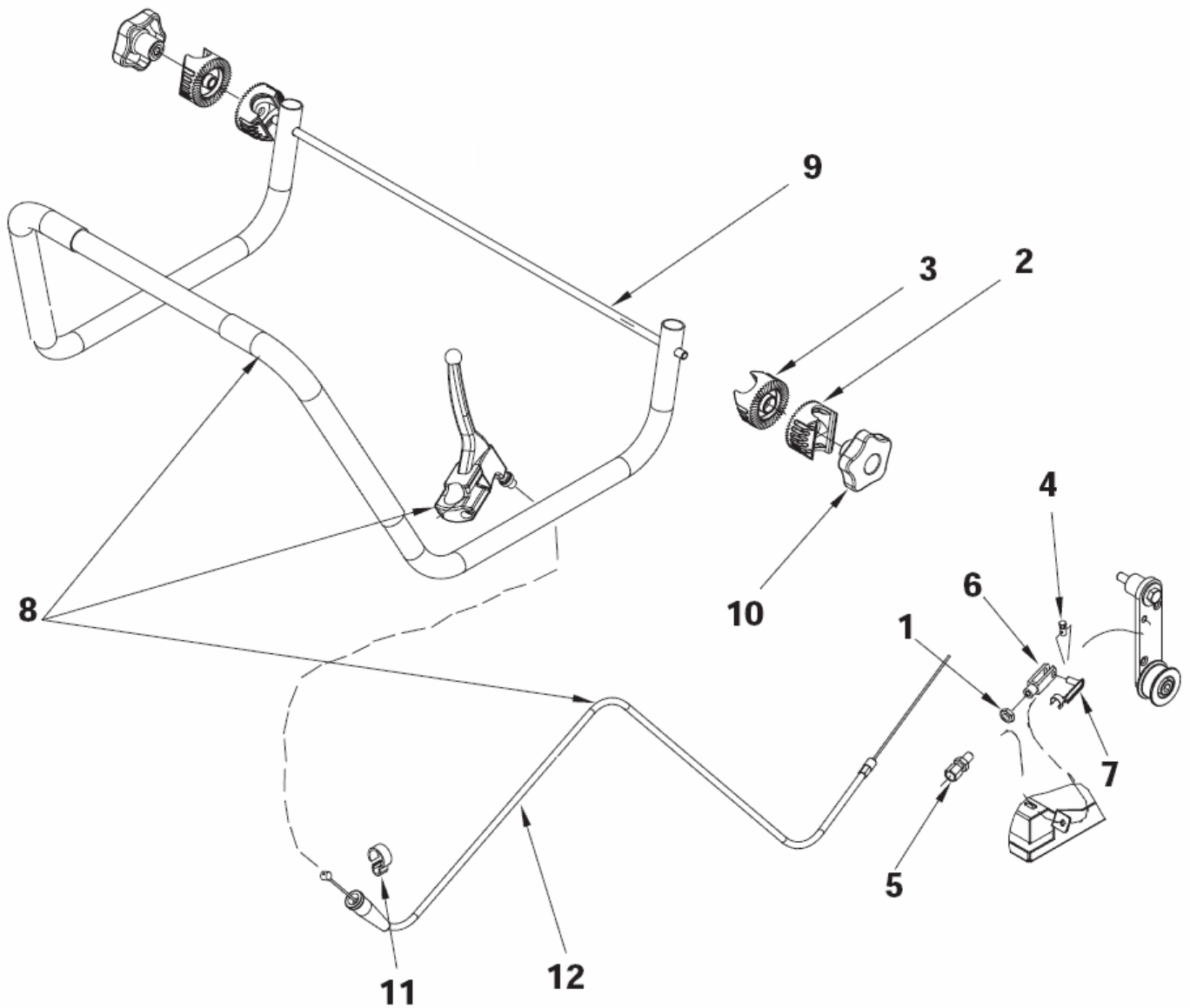
# Handle system

FLOORTEC 550P

10-07-2009

Part List ID  
550P12

26



# Handle system

## FLOORTEC 550P

10-07-2009

Part List ID

550P12

27

Pos	Part no.	Qty	Description	EAN
1	33005533	1	NUT HEX M8 UNI5589	5711140066
2	56264118	2	RATCHET HANDLE ADJ.	
3	56264123	2	RATCHET HANDLE ADJ.	
4	145 8110 000	1	CLAMP D.6	5711140004
5	145 9283 000	1	ADJUSTER M8X35	5711140004
6	145 9409 000	1	FORK M6	5711140023
7	145 9410 000	1	CIRCLIP M6	5711140023
8	146 2317 000	1	HANDLE COMPLETE	5711140043
9	146 0534 000	1	SHAFT. HANDLE	5711140032
10	146 1852 000	2	KNOB M8	5711140041
11	146 0763 000	1	FIXING CABLE	5711140033
12	146 2309 000	1	CABLE.FLAP RAISING DEVICE	5711140043

# Hub assembly left & right

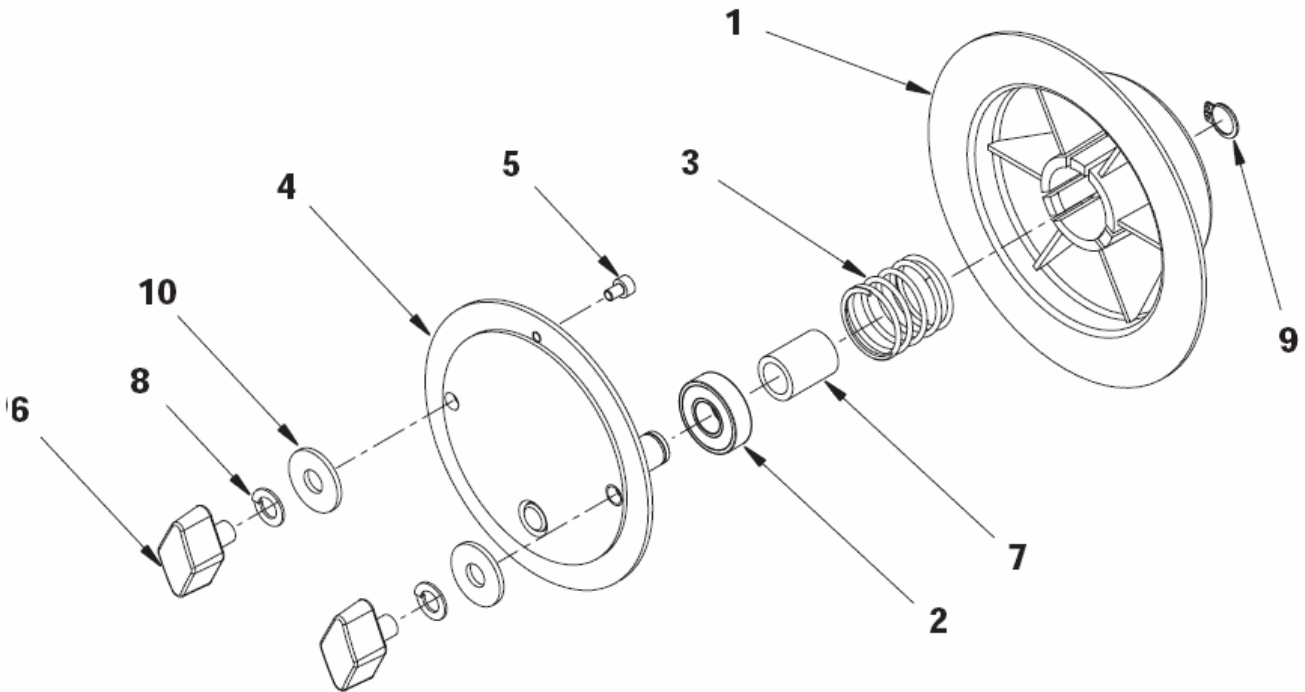
FLOORTEC 550P

10-07-2009

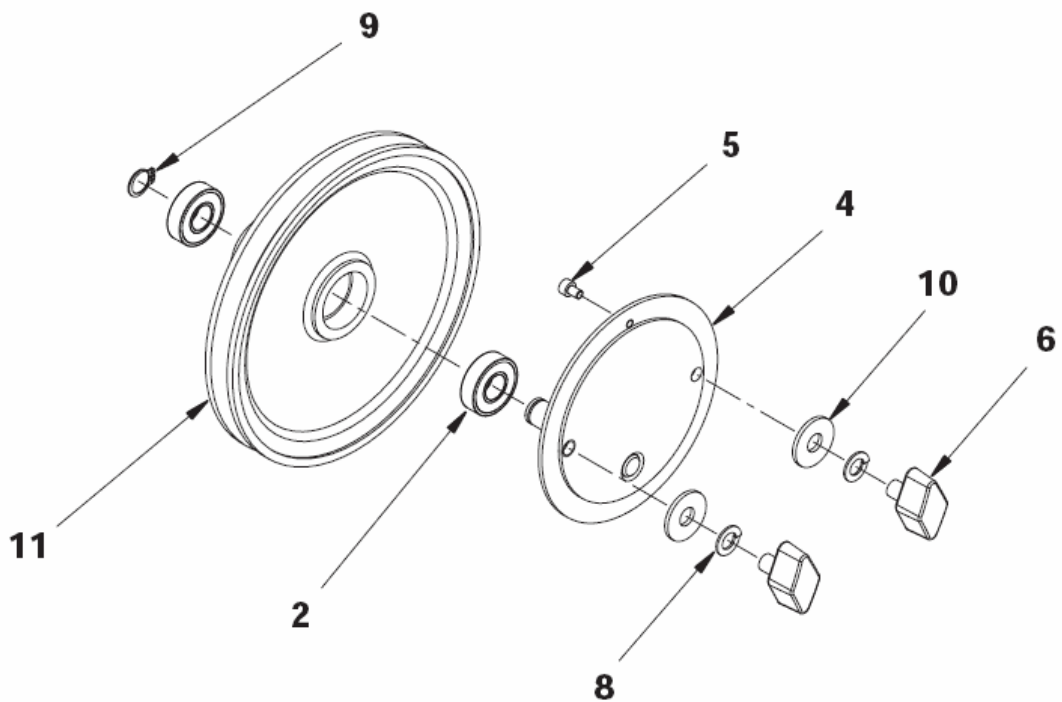
Part List ID  
550P13

28

## Left hub assembly



## Right hub assembly



# Hub assembly left & right

FLOORTEC 550P

10-07-2009

Part List ID

550P13

29

Pos	Part no.	Qty	Description	EAN
1	145 0269 000	1	HUB	5711140003
2	145 0270 000	3	BALL BEARING 6001 2RS	5711140002
3	145 0271 000	1	SPRING	5711140004
4	145 0272 000	2	PIN	5711140003
5	33004305	2	SCREW M4X6 UNI5931	5711140064
6	145 1211 000	4	KNOB M 8X 12	5711140012
7	145 2663 000	1	SPACER 12X17X22.5	5711140004
8	33005842	4	WASHER M8 UNI1751B	5711140067
9	33006051	2	RING D 12 UNI7435	5711140067
10	L08300000	4	WASHER 8X24 UNI6592	5711140012
11	145 2617 000	1	PULLEY	5711140003

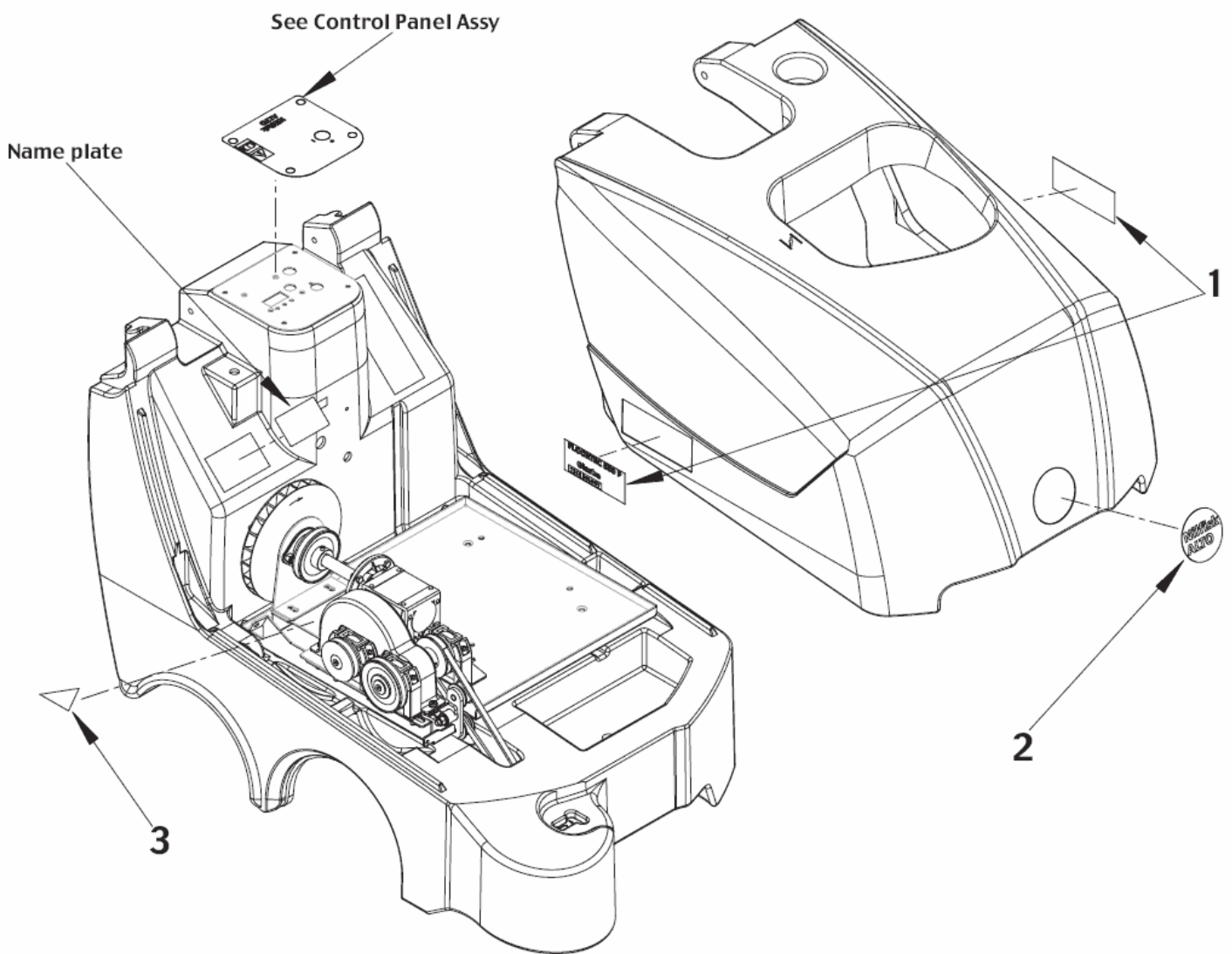
# Decals

FLOORTEC 550P

10-07-2009

Part List ID  
550P14

30



# Decals

FLOORTEC 550P

10-07-2009

Part List ID

550P14

31

Pos	Part no.	Qty	Description	EAN
1	1463822000	2	DECAL FLOORTEC 550 P	5711140137
2	146 2321 000	1	DECAL NILFISK-ALTO ROUND	5711140043
3	145 1431 000	1	DECAL DANGER MOVING PARTS	5711140021

**Wear parts**  
FLOORTEC 550P

10-07-2009

Part List ID  
550P15

32

No Drawing For Part List

# Wear parts

## FLOORTEC 550P

10-07-2009

Part List ID  
550P15

33

Pos	Part no.	Qty	Description		EAN	
1	145 4806 000	1	FILTER PAPER	WEAR PARTS	5715492038	
2	146 0554 000	1	SKIRT FRONT/REAR	NEOPRENE BLACK	WEAR PARTS	5715492038
3	146 0555 000	2	SKIRT SIDE		WEAR PARTS	5711140032
4	146 0628 000	1	SKIRT FRONT SOFT		WEAR PARTS	5715492038
5	145 4792 000	1	BROOM MAIN 265X500	PPL 0,7	WEAR PARTS	5715492038
6	145 1899 000	1	BROOM SIDE 180X420	PPL 0,8	WEAR PARTS	5715492038
8	145 0274 000	2	SPRING		ORDINARY MAINTENANCE	5711140004
9	146 0150 000	1	BELT		ORDINARY MAINTENANCE	5711140031
10	146 0767 000	1	BELT		ORDINARY MAINTENANCE	5711140033
11	146 0402 000	1	FLANGE BROOM HOLDING		ORDINARY MAINTENANCE	5711140032
13	146 0513 000	1	WHEEL RIGHT		EXTRAORDINARY	5711140032
14	146 0518 000	1	WHEEL LEFT		EXTRAORDINARY	5711140032
15	146 2309 000	1	CABLE.FLAP RAISING DEVICE		EXTRAORDINARY	5711140043
16	145 2324 000	1	GEAR RIGHT		EXTRAORDINARY	5711140001
17	146 0680 000	1	SWITCH.HOOD SAFETY		EXTRAORDINARY	5711140033
18	145 0270 000	1	BALL BEARING 6001 2RS		EXTRAORDINARY	5711140002
19	145 1123 000	1	BALL BEARING YAT204		EXTRAORDINARY	5711140002
20	145 9186 000	1	BALL BEARING 6000 2RS		EXTRAORDINARY	5711140002
21	146 0629 000	1	GASKET L1600	LL 1600	EXTRAORDINARY	5711140033
22	146 0630 000	1	GASKET L1800		EXTRAORDINARY	5711140033

# Options

FLOORTEC 550P

10-07-2009

Part List ID  
550P16

34

No Drawing For Part List

# Options

## FLOORTEC 550P

10-07-2009

Part List ID  
550P16

35

Pos	Part no.	Qty	Description	EAN
0	145 4746 000	1	FILTER POLYESTER BIA	5715492038
0	145 4959 000	1	BROOM SIDE 180X420 STEEL MIX	5715492038
0	145 4973 000	1	BROOM MAIN 265X500 STEEL MIX	5715492038
0	145 4974 000	1	BROOM MAIN 265X500 NATURAL FIBRE	5715492038
0	145 4976 000	1	BROOM SIDE 180X420 NATURAL FIBRE	5715492038
0	146 0368 000	1	FILTER POLYES.BIA ANTIST.	5715492038
0	146 0569 000	1	WHEEL, CASTOR WITH BRAKE	5715492038
0	146 0586 000	1	SKIRT FRONT NON MARKING	5715492038
0	146 0587 000	1	SKIRT SIDE NON MARKING	5715492038
0	146 0678 000	1	BRUSH SIDE 180X347 NYLON	5715492038
0	146 0782 000	1	PRE-FILTER	5715492038



## heupel Reinigungstechnik GmbH

Gottlieb Daimler Str. 6  
88214 Ravensburg

Tel: (049) 0751 - 35905-3  
Fax: (049) 0751 - 35905-59

email: [info@heupel-gmbh.de](mailto:info@heupel-gmbh.de)  
[www.heupel-gmbh.de](http://www.heupel-gmbh.de)

**Shop: [www.heupel-shop.de](http://www.heupel-shop.de)**

Heupel - Reinigungstechnik - Beratung, Verkauf, Service, alles aus einer Hand.