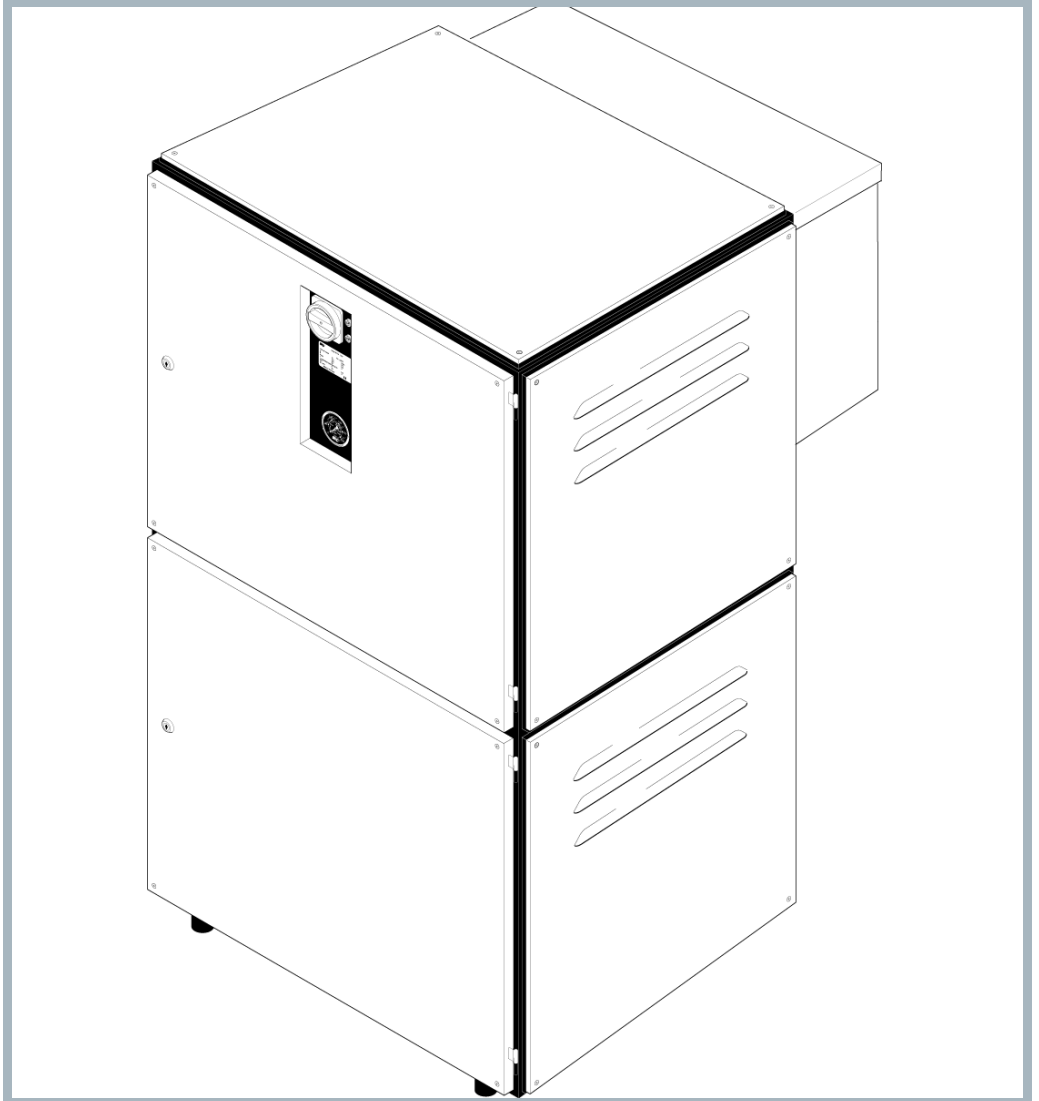


Model:
HPM STATIONARY



Part List US-English

07-02-2009

Table of Contents

HPM 2/20 2/26 2/36

Chassis top	3
Chassis bottom	5
Electric parts	7
Inlet chamber	10
Motor and frame HPM2/20	12
Motor and frame HPM2/26, 2/36	14
Pressure -/suction plate (a) HPM2/20, 2/26	16
Pressure -/suction plate (b) HPM2/20, 2/26	18
Pistons HPM2/20, 2/26	20
Drive shaft and housing HPM2/20, 2/26	22
Safety valve HPM2/20, 2/26	24
Pressure -/suction plate HPM2/36	26
Pistons HPM2/36	28
Drive shaft and housing HPM2/36	30
Safety valve HPM2/36	32
Pressure switch and pressure gauge	34
Control piston	36
Multi-pump control valve	38
Magnet valve	40
Hose liner	42

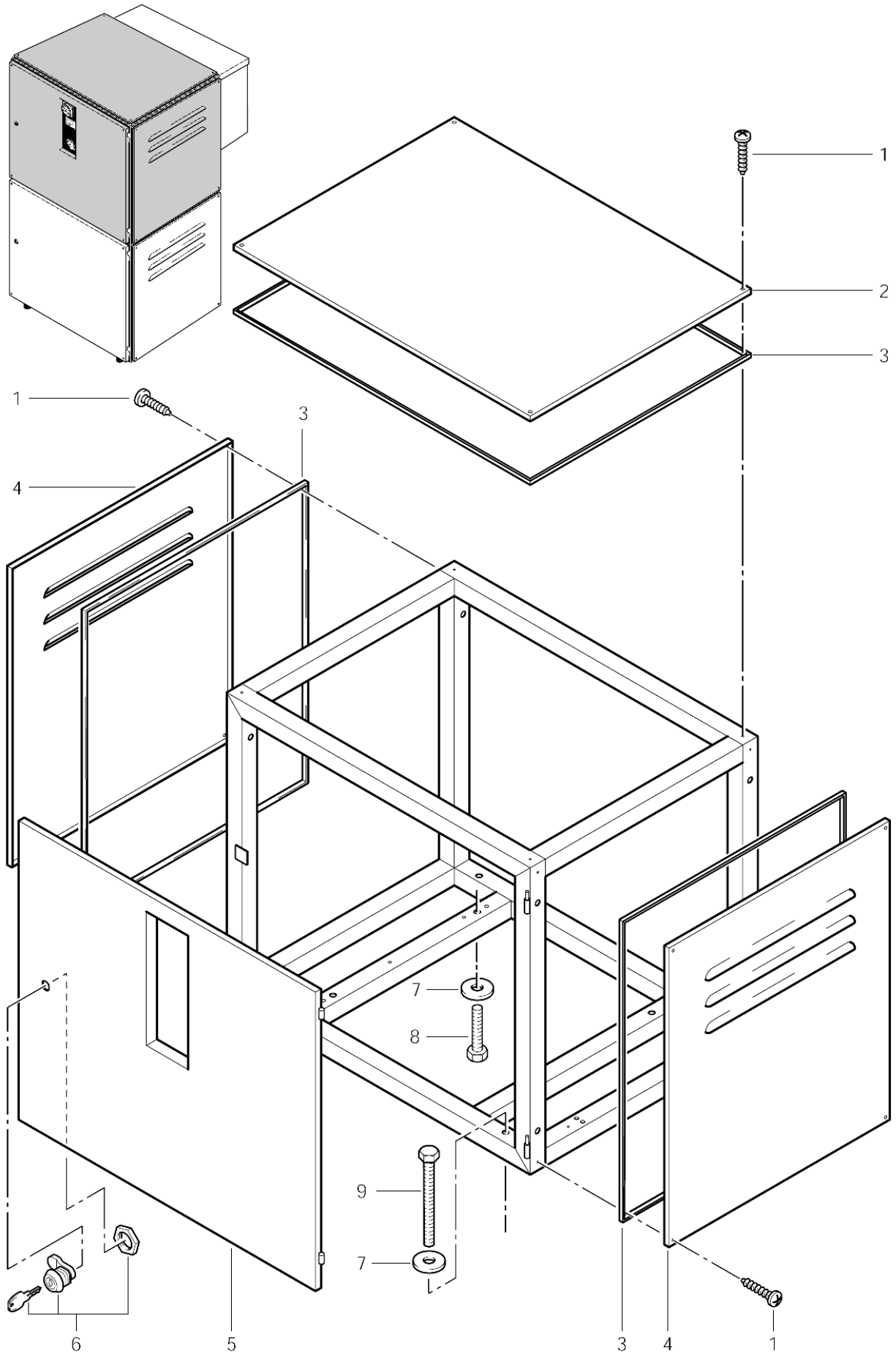
Chassis top

HPM 2/20 2/26 2/36

07-02-2009

Part List ID HPM202

3



Chassis top

HPM 2/20 2/26 2/36

07-02-2009

Part List ID

HPM202

4

Pos	Part no.	Qty	Description	EAN
2	66049	1	TOP COVERING HWM E/HPM	4005337660
3	40178	1	GASKET	4005337401
			PLEASE INDICATE LENGTHS IN METRES WHEN ORDERING	
4	66046	1	CASING "HWM/HPM"	4005337660
5	66052	1	DOOR 782X682 HWM	4005337660
6	31981	1	LOCK AND KEY	4005337319
9	6464	1	SCREW M10 X100 DIN	4005337064

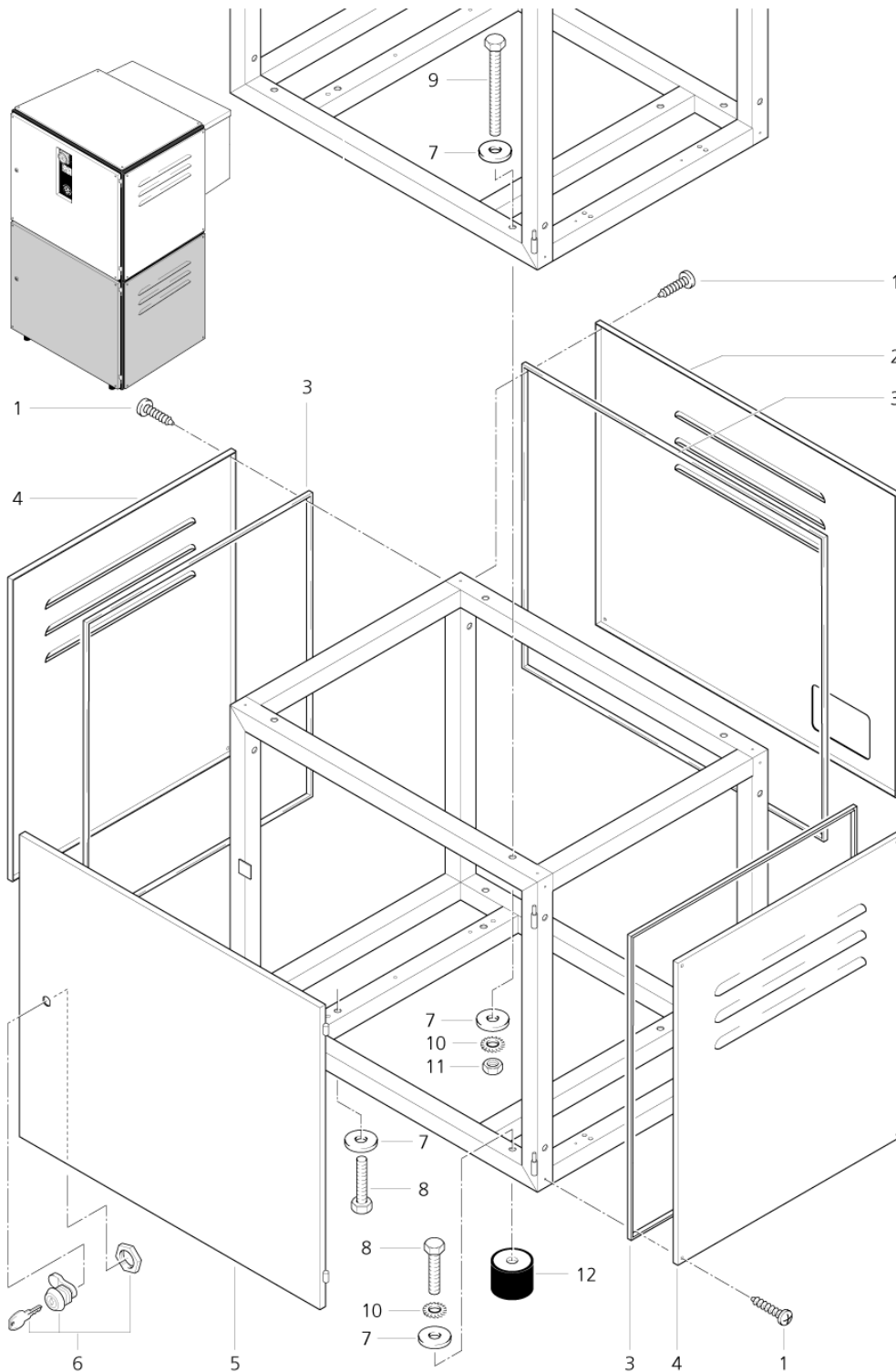
Chassis bottom

HPM 2/20 2/26 2/36

07-02-2009

Part List ID
HPM204

5



Chassis bottom

HPM 2/20 2/26 2/36

07-02-2009

Part List ID

HPM204

6

Pos	Part no.	Qty	Description	EAN
2	66047	1	PLATE BAG HWM/HPM	4005337660
3	40178	1	GASKET	4005337401
			PLEASE INDICATE LENGTHS IN METRES WHEN ORDERING	
4	66046	1	CASING "HWM/HPM"	4005337660
5	53429	1	DOOR	4005337534
6	31981	1	LOCK AND KEY	4005337319
9	6464	1	SCREW M10 X100 DIN	4005337064
12	10737	1	RUBBER BUFFER	4005337107

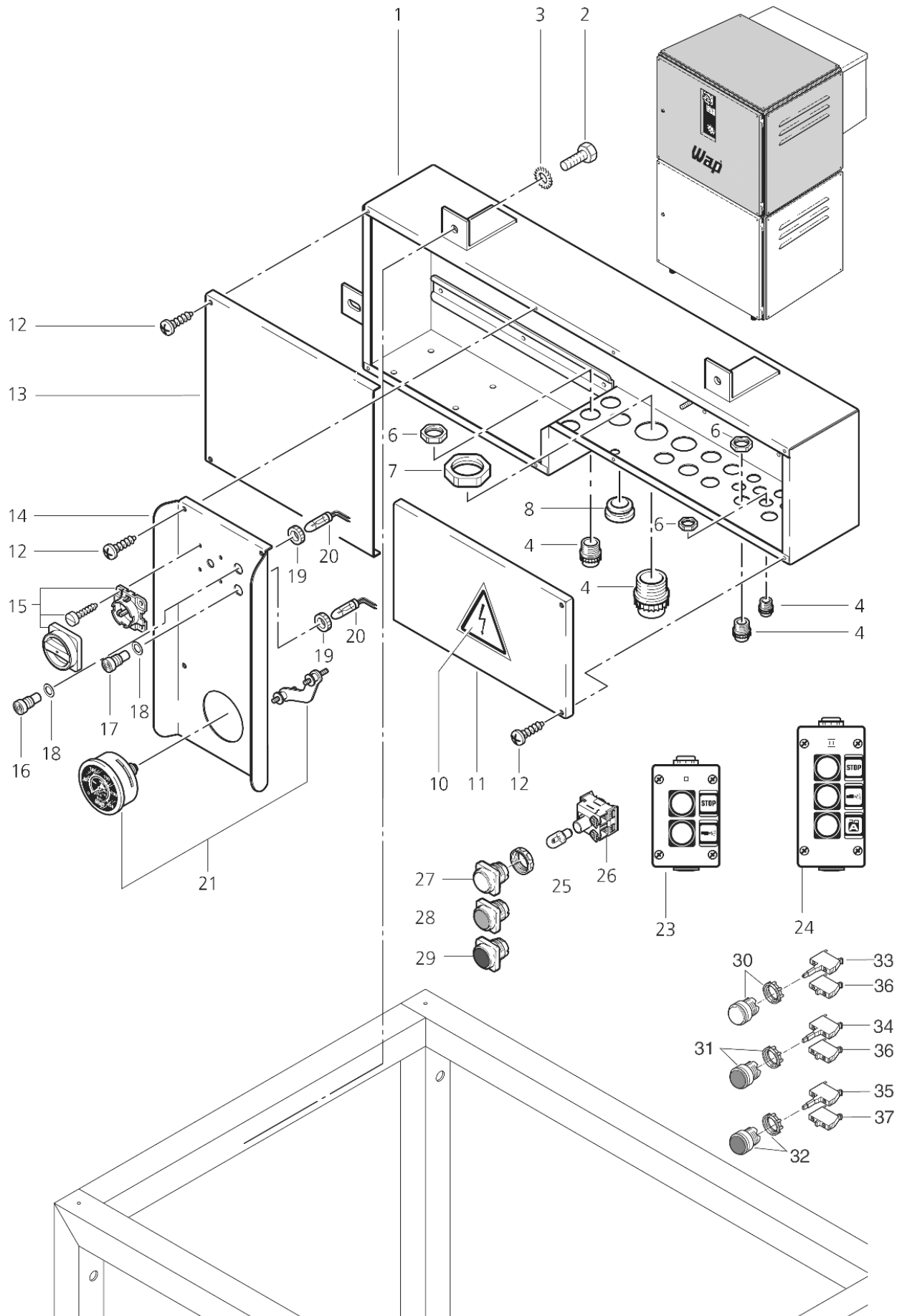
Electric parts

HPM 2/20 2/26 2/36

07-02-2009

Part List ID
HPM206

7



Electric parts

HPM 2/20 2/26 2/36

07-02-2009

Part List ID
HPM206

8

Pos	Part no.	Qty	Description		EAN
11	54717	1	COVER		4005337547
12	40107	1	SCREW 4,8X13		4005337401
13	54716	1	COVER		4005337547
14	54759	1	PANEL		4005337547
15	54712	1	MAIN SWITCH		4005337547
16	46793	1	SOCKET GREEN		4005337467
17	46794	1	SOCKET RED		4005337467
18	46796	1	GASKET 12X1		4005337467
19	46878	1	NUT M13X1		4005337468
20	54613	1	SIGNAL LAMP 24V		4005337546
21	31748	1	PRESSURE GAUGE		4005337317
23	107340911	1	REMOTE CONTROL BOXES 2 BUTTONS	2 BUTTONS	5701715295
24	107340912	1	REMOTE CONTROL BOXES 3 BUTTONS	3 BUTTONS	5701715295
25	41548	1	BULB 24V	UP TO 2004.05.11	4005337415
26	11958	1	SHOULDER LUMINOUS BUTTON	UP TO 2004.05.11	4005337119
27	29960	1	SIGNAL LIGHT ATTACHMENT White	UP TO 2004.05.11, WHITE	4005337299
28	29961	1	PUSH BUTTON, GREEN	UP TO 2004.05.11, GREEN	4005337299
29	29962	1	PUSH BUTTON, RED	UP TO 2004.05.11, RED	4005337299
30	103822004	1	PUSH BUTTON WHITE	FROM 2004.05.11, WHITE	5701715412
31	103821823	1	SIGNAL LIGHT ATTACHMENT GREEN	FROM 2004.05.11, GREEN	5701715310
32	103821824	1	SIGNAL LIGHT ATTACHMENT RED	FROM 2004.05.11, RED	5701715310
33	103821999	1	LAMP ELEMENT ZAL-VB4 WHITE	FROM 2004.05.11, WHITE	5701715415
34	103822000	1	LAMP ELEMENT GREEN	FROM 2004.05.11, GREEN	5701715414
35	103822001	1	LAMP ELEMENT RED	FROM 2004.05.11, RED	5701715412
36	103822003	1	CONTACT ELEMENT NC 1-2 M1	FROM 2004.05.11, NC 1-2	5701715398
37	103822002	1	CONTACT ELEMENT NO 3-4	FROM 2004.05.11, NO 3-4	5701715398
38	29965	1	CONTACTOR		4005337299
39	25957	1	OVERCURRENT RELAY 0 A		4005337259
40	15846	1	FUSE T 2,5 A		4005337158
41	12151	1	FINE SIRE FUSE		4005337121
42	54948	1	CONTROL TRANSFORMER 230/4		4005337549
43	22207	1	RECTIFIER		4005337222
44	54509	1	CONTROL UNIT 24V		4005337545
45	5509	1	FUSE 5X20 6,3A		4005337055
46	54958	1	TERMINAL BLOCK 2-PIN	2-POL.	4005337549
47	54959	1	TERMINAL BLOCK 6-PIN	6-POL.	4005337549
48	54960	1	TERMINAL BLOCK 10-POL.	10-POL.	4005337549
49	54961	1	TERMINAL STRIP 12-POL.	12-POL.	4005337549
50	41570	1	RELAY 2-POL. 24V DC 5A		4005337415
51	24482	1	TIME RELAY		4005337244
52	24483	1	TIME RELAY BCR		4005337244
53	29488	1	RELAY HEAT ON/OFF 2PL. 24V DC		4005337294

Electric parts

HPM 2/20 2/26 2/36

07-02-2009

Part List ID
HPM206

9

Pos	Part no.	Qty	Description	EAN
54	26387	1	DIODE	4005337263

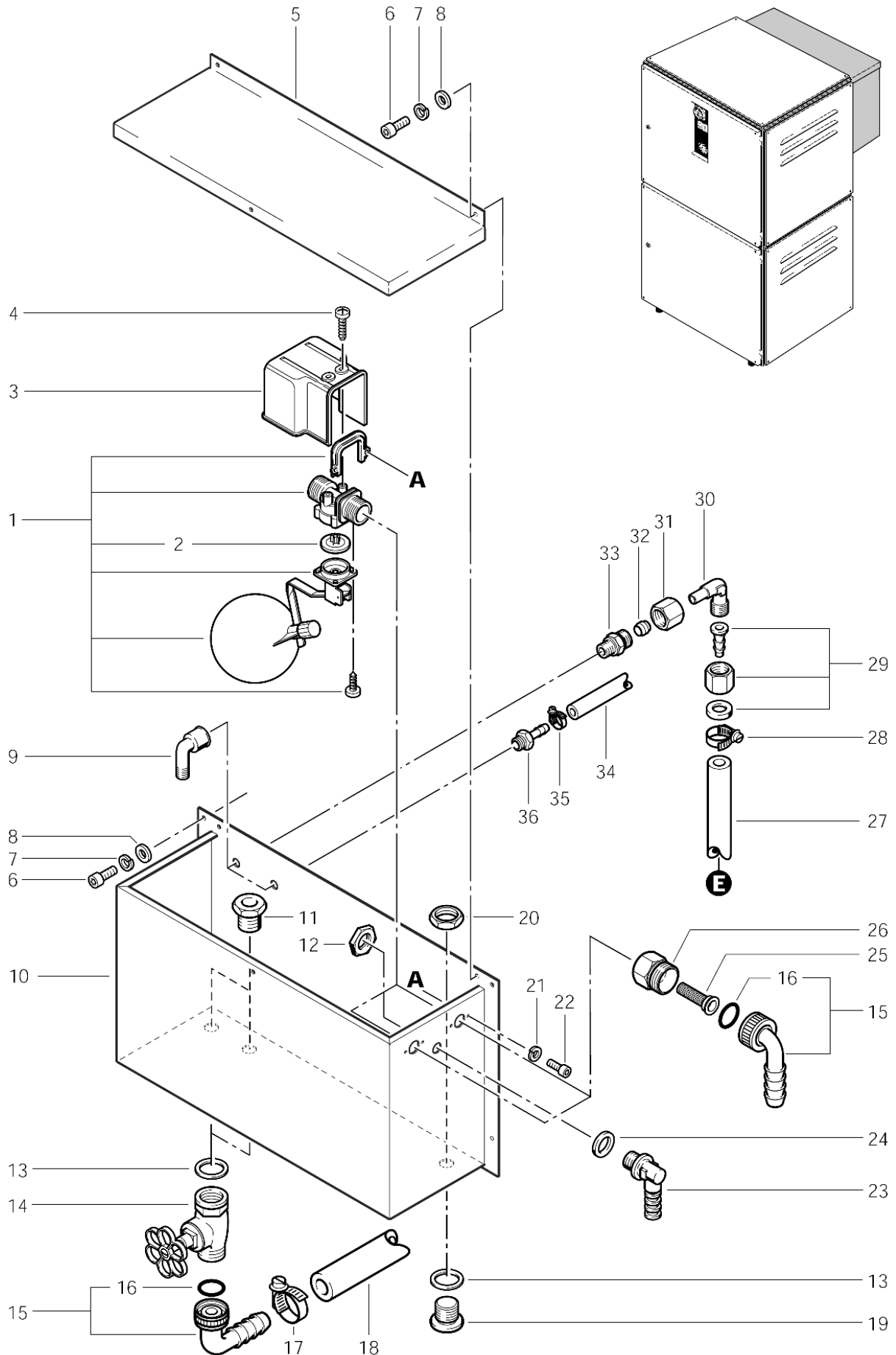
Inlet chamber

HPM 2/20 2/26 2/36

07-02-2009

Part List ID
HPM208

10



Inlet chamber

HPM 2/20 2/26 2/36

07-02-2009

Part List ID
HPM208

11

Pos	Part no.	Qty	Description	EAN
1	53417	1	FLOAT VALVE	4005337534
2	33999	1	MEMBRANE	4005337339
3	34240	1	COVER	4005337342
4	16860	1	SCREW 4X12	4005337168
5	23914	1	COVER	4005337239
6	24355	1	SCREW M6X16	4005337243
7	24312	1	SPRING WASHER A6 DIN 127	4005337243
8	17849	1	WASHER 6,4X1,6	4005337178
9	21869	1	ANGLE I-A 3/8" MS	4005337218
10	21302	1	PRESETTLING TANK HPM3	4005337213
11	15569	1	SCREW R	4005337155
12	3452	1	NUT 6KT- R1/2X 5,5 POM	4005337034
13	2377	1	PACKING RING 27X38X2	4005337023
15	11857	1	ANGULAR SCREW	4005337118
17	8298	1	HOSE CLIP 16-27	4005337082
18	6465	1	WATER INLET HOSE 3/4 P/	PLEASE INDICATE LENGTHS IN METRES WHEN ORDERING 4005337064
19	22521	1	SCREW PLUG 3/4" MS	4005337225
20	22669	1	HEXAGON NUT	4005337226
21	24354	1	SPRING WASHER M4 A2	4005337243
22	24352	1	HEXAGON SOCKET HEAD CAP SCREW	4005337243
23	3448	1	HOSE LINER W DN13 G KU	4005337034
24	3449	1	PACKING RING 21X30X2	4005337034
25	7541	1	SIEVE	4005337075
26	6607	1	INTERMEDIATE PIECE	PLEASE INDICATE LENGTHS IN METRES WHEN ORDERING 4005337066
27	1082	1	HOSE	4005337010
28	1654	1	HOSE CLIP 16X9	4005337075
29	1039	1	NIPPLE M 18 X 1.5	4005337010
30	1504	1	FITTING XE VW 12L ZN	4005337015
31	1081	1	UNION NUT L 12	4005337010
32	1080	1	RING L 12	4005337010
33	1655	1	SCREW XG 12LR3/8"	4005337016
34	9175	1	HOSE	PLEASE INDICATE LENGTHS IN METRES WHEN ORDERING 4005337091
35	11949	1	JUBILEE CLIPS	4005337119
36	2580	1	HOSE LINER Ø 6 G3/8	4005337025

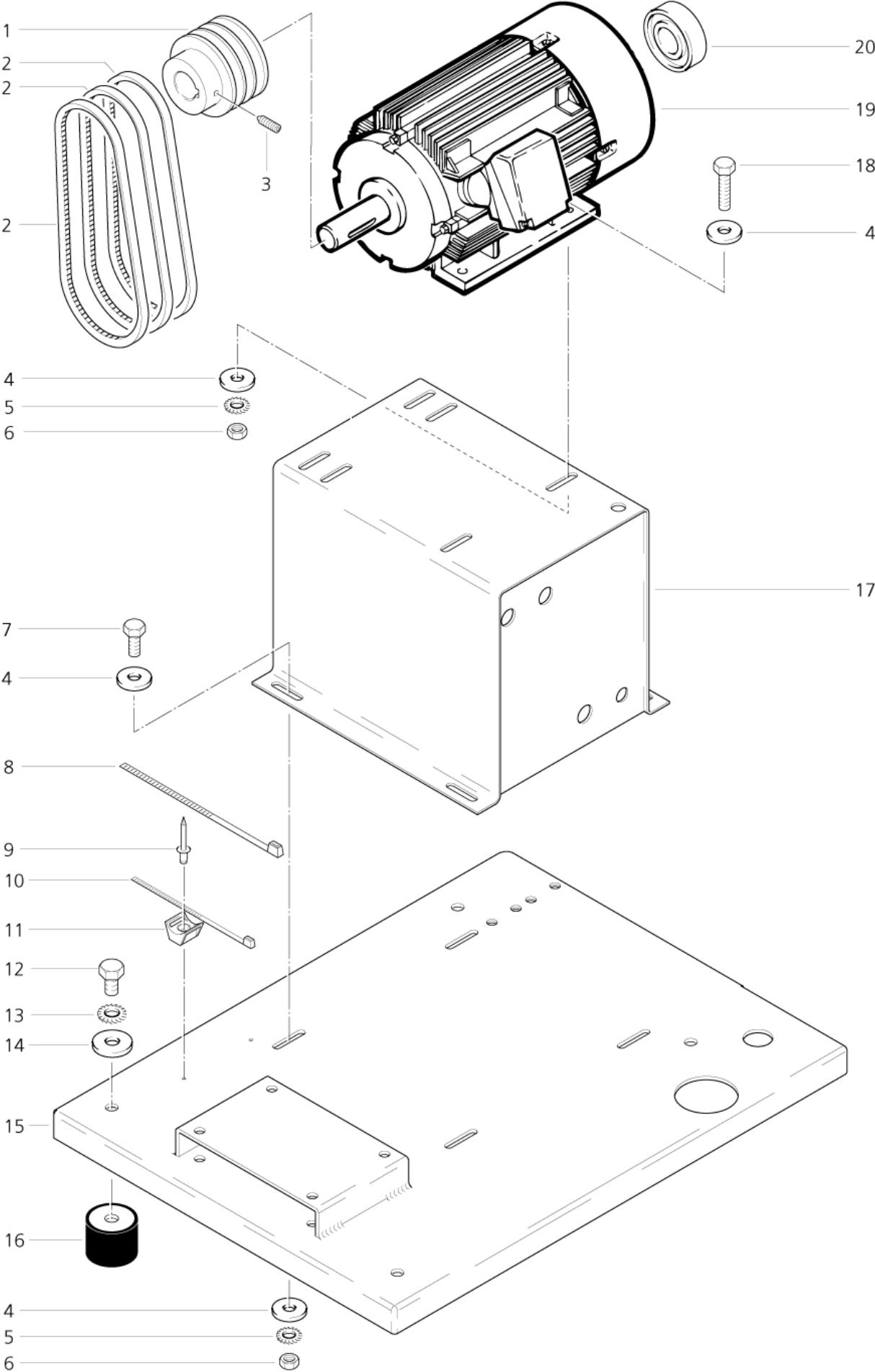
Motor and frame HPM2/20

HPM 2/20 2/26 2/36

07-02-2009

Part List ID HPM210

12



Motor and frame HPM2/20

HPM 2/20 2/26 2/36

07-02-2009

Part List ID
HPM210

13

Pos	Part no.	Qty	Description	EAN
1	21219	1	V-BELT PULLEY	4005337212
2	21222	1	V-BELT XPZ 837	4005337212
3	2794	1	SET SCREW DIN 914 M6X20	4005337027
7	2753	1	SCREW M8X20	4005337027
8	8819	1	CABLE STRAP 4,5X1X350	4005337088
9	14714	1	RIVET A3,2X10X6,5	4005337147
10	4059	1	CABLE STRAP 3,6X1,1X110	4005337040
11	4064	1	SUPPORT	4005337040
14	2767	1	WASHER 10,5X2	4005337027
16	10736	1	PUFFER	5701715457
17	54287	1	CLEAN WATER RESERV OIR	4005337542
19	4181	1	ELEC. MOTOR 4,0KW 230/400V	4005337041
20	5905	1	ROLLER BEARING 6306-2Z	4005337059

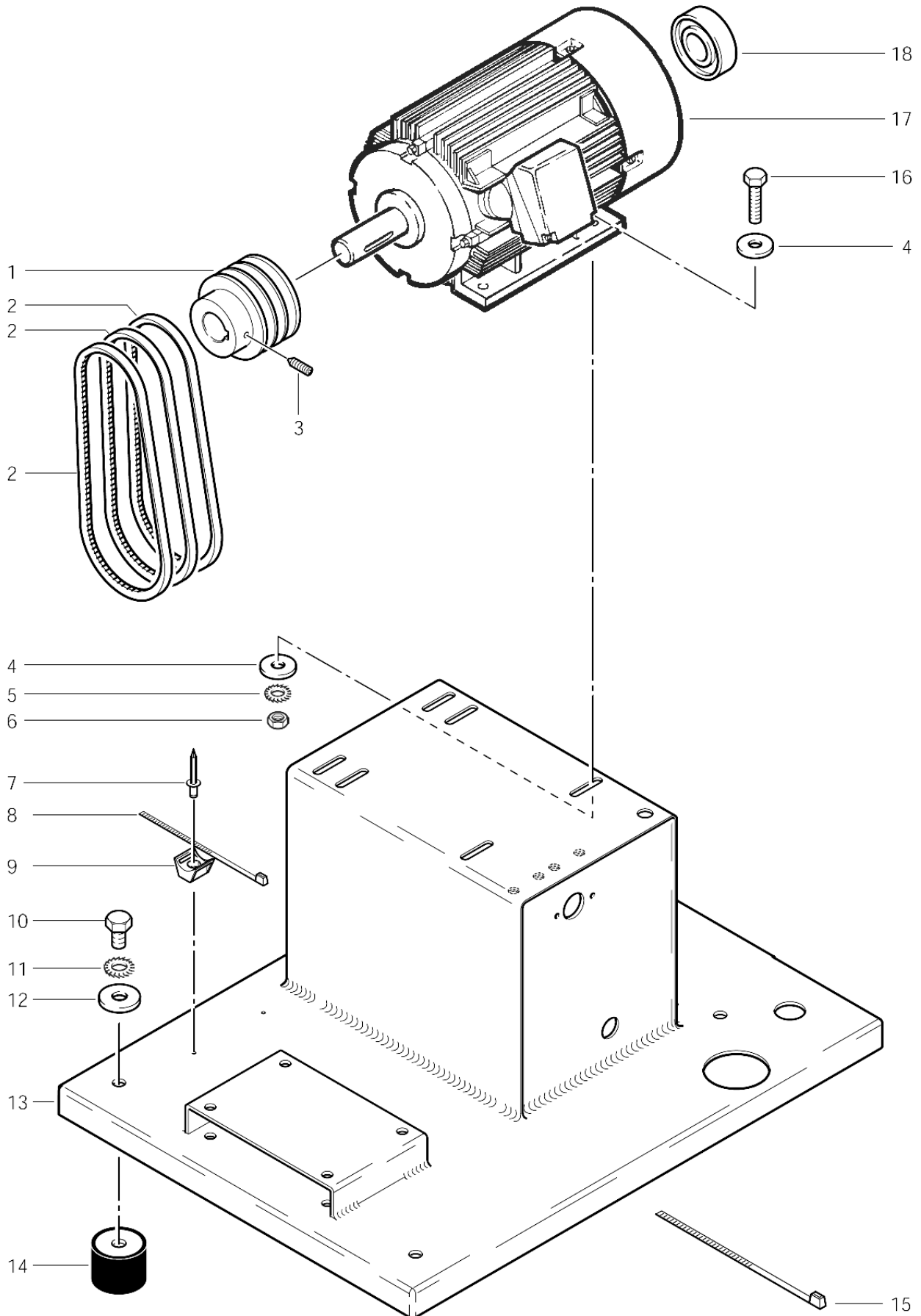
Motor and frame HPM2/26, 2/36

HPM 2/20 2/26 2/36

07-02-2009

Part List ID
HPM212

14



Motor and frame HPM2/26, 2/36

HPM 2/20 2/26 2/36

07-02-2009

Part List ID
HPM212

15

Pos	Part no.	Qty	Description		EAN
1	21220	1	PULLEY 102.4X3X38.0 DIN2211	HPM 2/26	4005337212
1	33126	1	V-BELT PULLEY	HPM 2/36	4005337331
2	21224	1	V-BELT XPA 907	HPM 2/26	4005337212
2	22800	1	V-BELT XPA 957	HPM 2/36	4005337228
3	6652	1	SET SCREW DIN 914 M6X10		4005337066
7	14714	1	RIVET A3,2X10X6,5		4005337147
8	4059	1	CABLE STRAP 3,6X1,1X110		4005337040
9	4064	1	SUPPORT		4005337040
13	10062	1	BASE PLATE		4005337100
14	10736	1	PUFFER		5701715457
15	8819	1	CABLE STRAP 4,5X1X350		4005337088
17	4165	1	MOTOR 7,5KW 220/380V 50HZ	HPM 2/26	4005337041
17	4878	1	ELECTRIC MOTOR 230/400V 5	HPM 2/36	4005337048
18	9299	1	ANTI-FRICTION BEARING		4005337092

Pressure -/suction plate (a) HPM2/20, 2/26

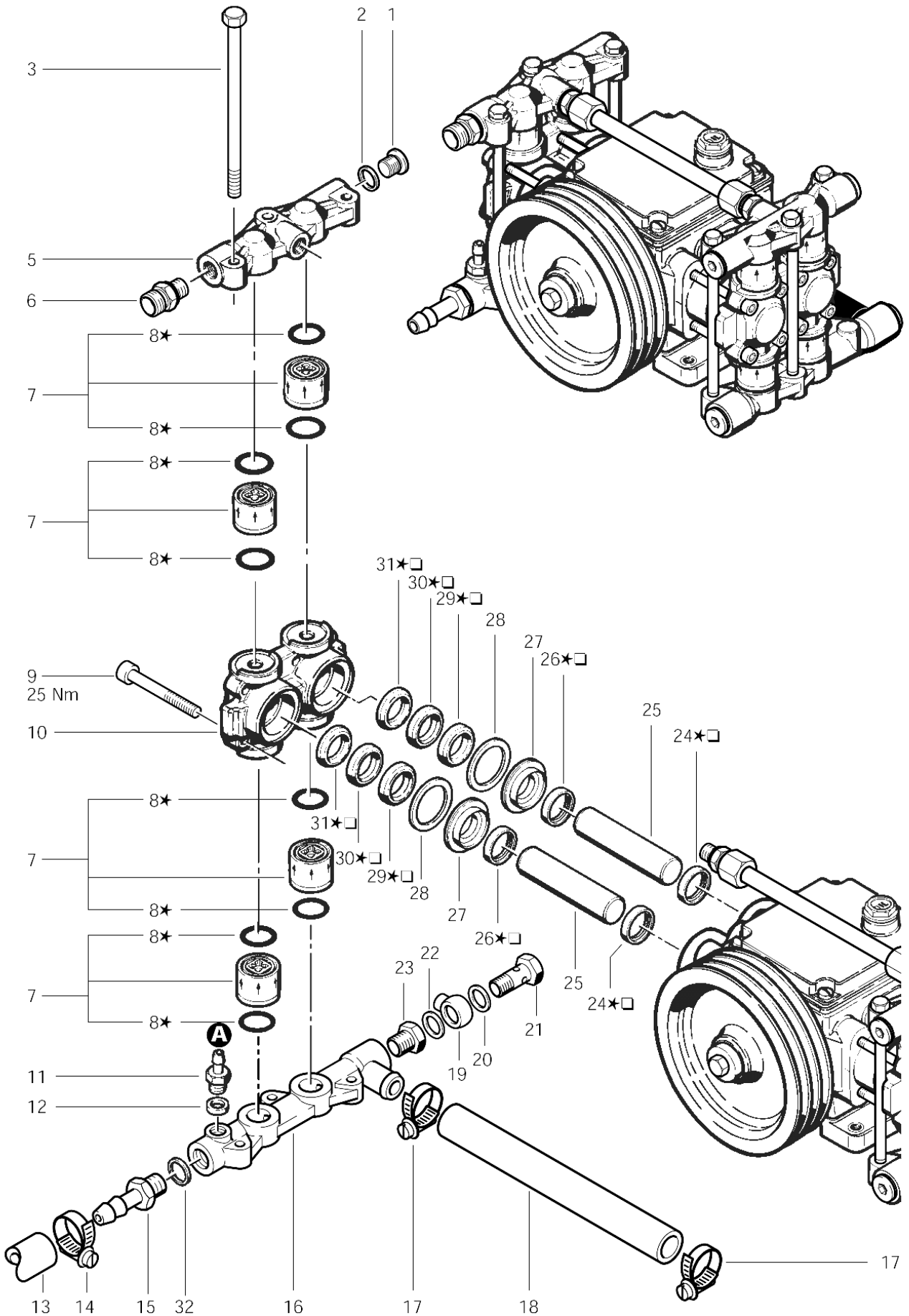
HPM 2/20 2/26 2/36

07-02-2009

Part List ID
HPM214

16

6: c



Pressure -/suction plate (a) HPM2/20, 2/26

HPM 2/20 2/26 2/36

07-02-2009

Part List ID
HPM214

17

Pos	Part no.	Qty	Description	EAN
1	42312	1	SCREW PLUG G1/4	4005337423
2	11340	1	PACKING RING 13,5X18 A760	4005337113
3	4444	1	SCREW M8 X170 DIN	4005337044
5	16790	1	PRESSURE PLATE	4005337167
6	1230	1	FITTING XGE6LR1/4	4005337012
7	9684	1	VALVE COMPL.	4005337096
8	3702	1	O RING D24X2	A) 4005337037
9	9430	1	SCREW M8 X 75 8.8 DIN	4005337094
10	6921	1	VALVE BLOCK	4005337069
11	2581	1	HOSE NOZZLE D6 R1/8	4005337025
12	2838	1	PACKING RING 10X14X3	4005337028
13	6465	1	WATER INLET HOSE 3/4 P/	PLEASE INDICATE LENGTHS IN METRES WHEN ORDERING 4005337064
14	8298	1	HOSE CLIP 16-27	4005337082
15	14078	1	HOSE LINER DN20	4005337140
16	9347	1	SUCTION PLATE	4005337093
17	9442	1	HOSE CLIP	4005337094
18	9348	1	HOSE	4005337093
19	4970	1	RING NIPPLE	4005337049
20	1605	1	PACKING RING 10X14	4005337016
21	17190	1	BANJO BOLT	4005337171
22	1605	1	PACKING RING 10X14	4005337016
23	9587	1	INSERT 4/6 K 220	4005337095
24	4286	1	SHAFT SEAL RING A 25X 33	A), B) 4005337042
25	9459	1	PISTON	4005337094
26	4286	1	SHAFT SEAL RING A 25X 33	A), B) 4005337042
27	9339	1	PRESSURE RING	4005337093
28	1182	1	RING	4005337011
29	16547	1	COLLAR	A), B) 4005337165
30	16540	1	PACKING RING 24X 38X 6,7	A), B) 4005337165
31	9325	1	SUPPORTING RING	A), B) 4005337093
A)	33836	1	GASKET SET 4A/4B-HD-PU	4005337338
B)	11746	1	GASKET SET FOR 4 PISTONS	4005337117

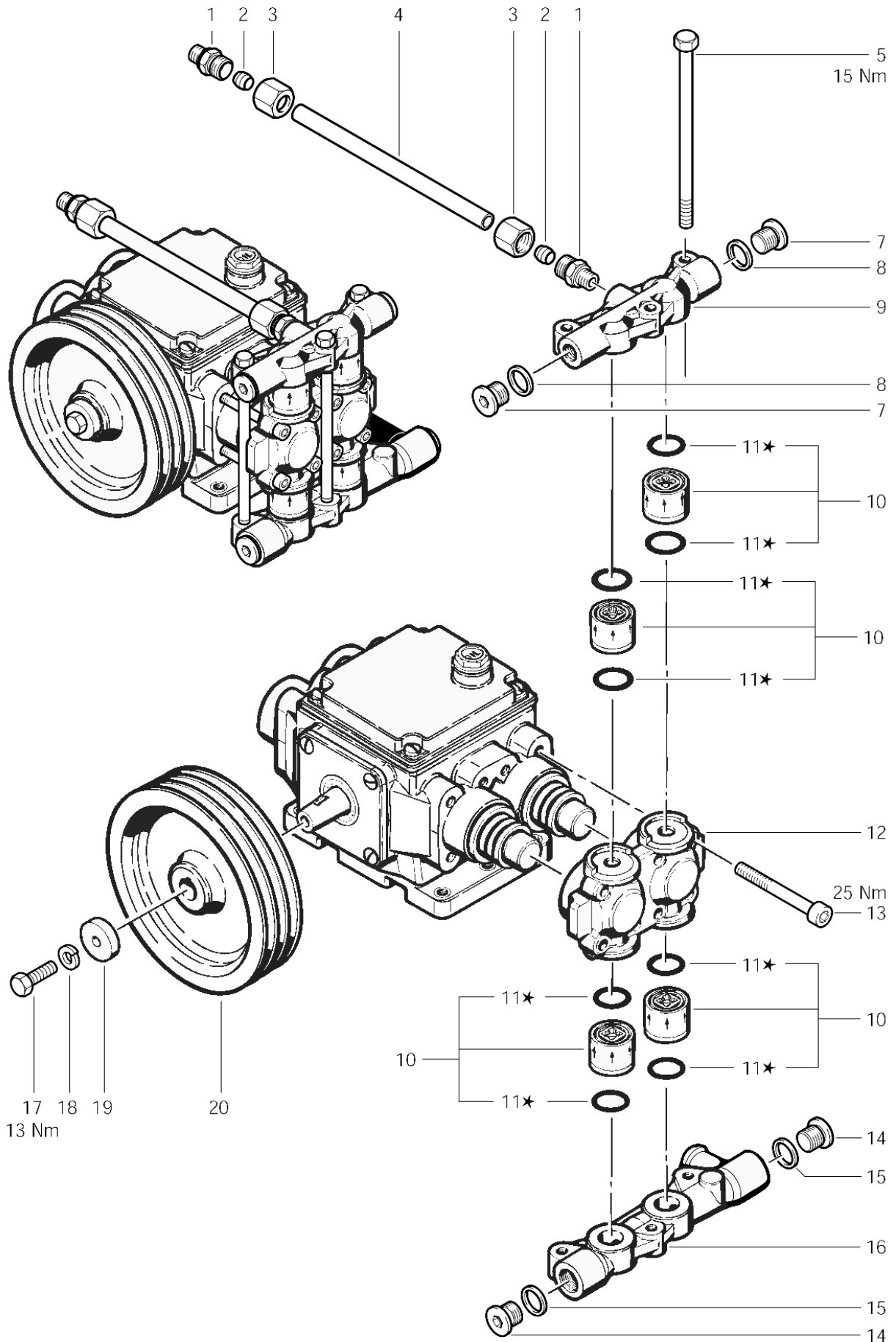
Pressure - /suction plate (b) HPM2/20, 2/26

HPM 2/20 2/26 2/36

07-02-2009

Part List ID
HPM216

18



Pressure - /suction plate (b) HPM2/20, 2/26

HPM 2/20 2/26 2/36

07-02-2009

Part List ID
HPM216

19

Pos	Part no.	Qty	Description	EAN
1	3938	1	UNION PIECE SDS L12 G1/4 ISO	4005337039
2	1080	1	RING L 12	4005337010
3	1081	1	UNION NUT L 12	4005337010
5	4444	1	SCREW M8 X170 DIN	4005337044
7	42312	1	SCREW PLUG G1/4	4005337423
8	11340	1	PACKING RING 13,5X18 A760	4005337113
9	16790	1	PRESSURE PLATE	4005337167
10	9684	1	VALVE COMPL.	4005337096
11	3702	1	O RING D24X2 A)	4005337037
12	6921	1	VALVE BLOCK	4005337069
13	9430	1	SCREW M8 X 75 8.8 DIN	4005337094
14	6868	1	SCREW PLUG G3/8	4005337068
15	1407	1	PACKING RING 17X23 C760	4005337014
16	9346	1	SUCTION PLATE	4005337093
19	1204	1	WASHER 6,1X6 D25 ZN	4005337012
20	6953	1	V-BELT PULLEY	4005337069
20	9450	1	V-BELT PULLEY	4005337094
A)	33836	1	GASKET SET 4A/4B-HD-PU	4005337338

Pistons HPM2/20, 2/26

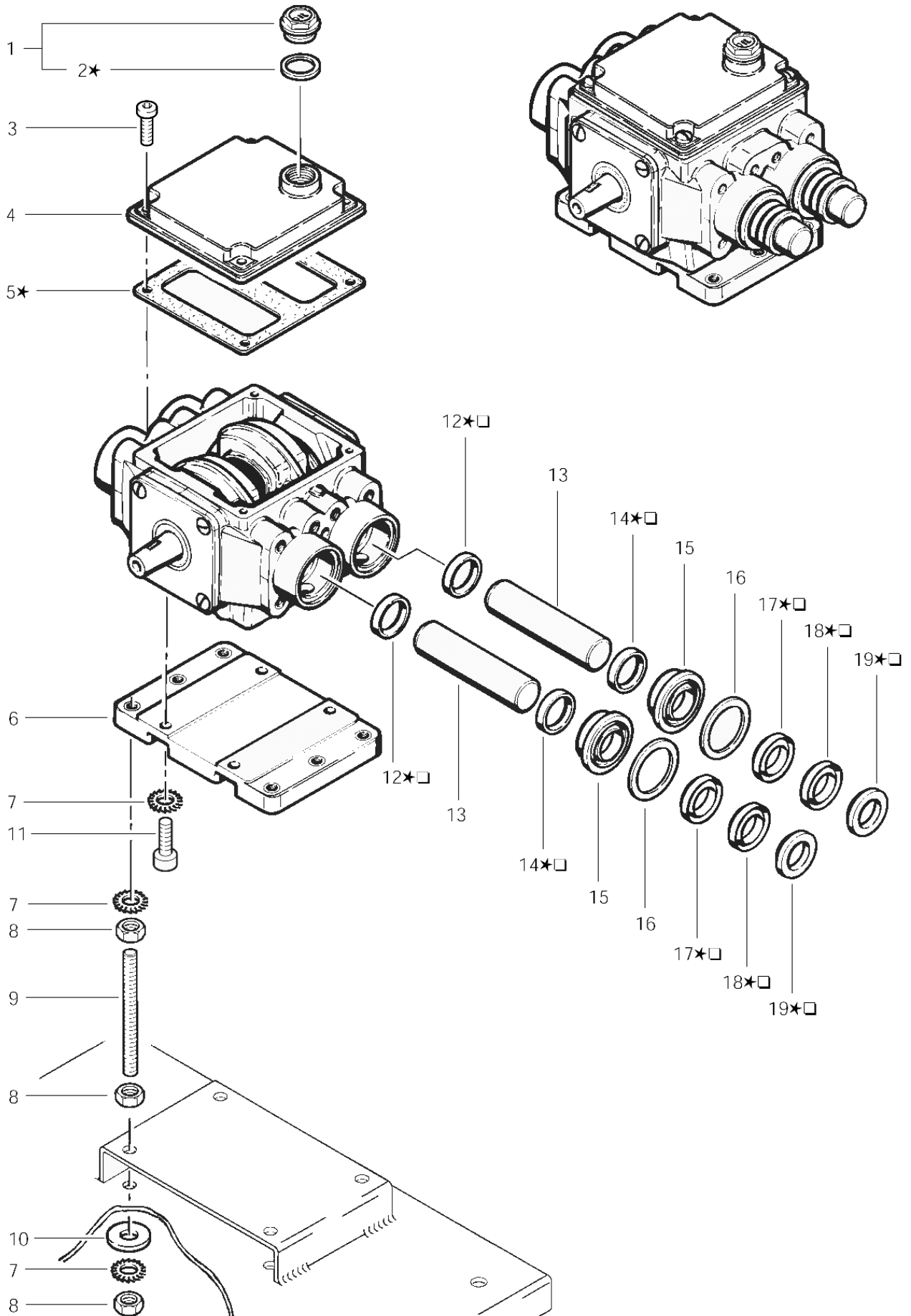
HPM 2/20 2/26 2/36

07-02-2009

Part List ID

HPM218

20



Pistons HPM2/20, 2/26

HPM 2/20 2/26 2/36

07-02-2009

Part List ID
HPM218

21

Pos	Part no.	Qty	Description	EAN
-	33722	1	OIL	4005337337
1	32742	1	VENTING PORT M22X1.5	4005337327
2	55202	1	GASKET D27.5/22.5 X 1.5	4005337552
			A)	
3	13923	1	SPEDFORM PH-SCREW.M6X20	4005337139
4	32773	1	PUMP COVER	4005337327
5	13710	1	GASKET 128X118X1 CORK	4005337137
			A)	
6	6882	1	PLATE	4005337068
7		1	NOTE COMMENT	5701715456
			Serrated lock washer A8,2 DIN 679	
8		1	NOTE COMMENT	5701715456
			Hexagon nut M8 DIN 934	
9	4070	1	STUD M 8X 90	4005337040
10	2793	1	WASHER 8,4X2	4005337027
11	2786	1	SCREW M8 X 25 DIN	4005337027
12	4286	1	SHAFT SEAL RING A 25X 33	4005337042
			A), B)	
13	9459	1	PISTON	4005337094
14	4286	1	SHAFT SEAL RING A 25X 33	4005337042
			A), B)	
15	9339	1	PRESSURE RING	4005337093
16	1182	1	RING	4005337011
17	16547	1	COLLAR	4005337165
			A), B)	
18	16540	1	PACKING RING 24X 38X 6,7	4005337165
			A), B)	
19	9325	1	SUPPORTING RING	4005337093
			A), B)	
A)	33836	1	GASKET SET 4A/4B-HD-PU	4005337338
B)	11746	1	GASKET SET FOR 4 PISTONS	4005337117

Drive shaft and housing HPM2/20, 2/26

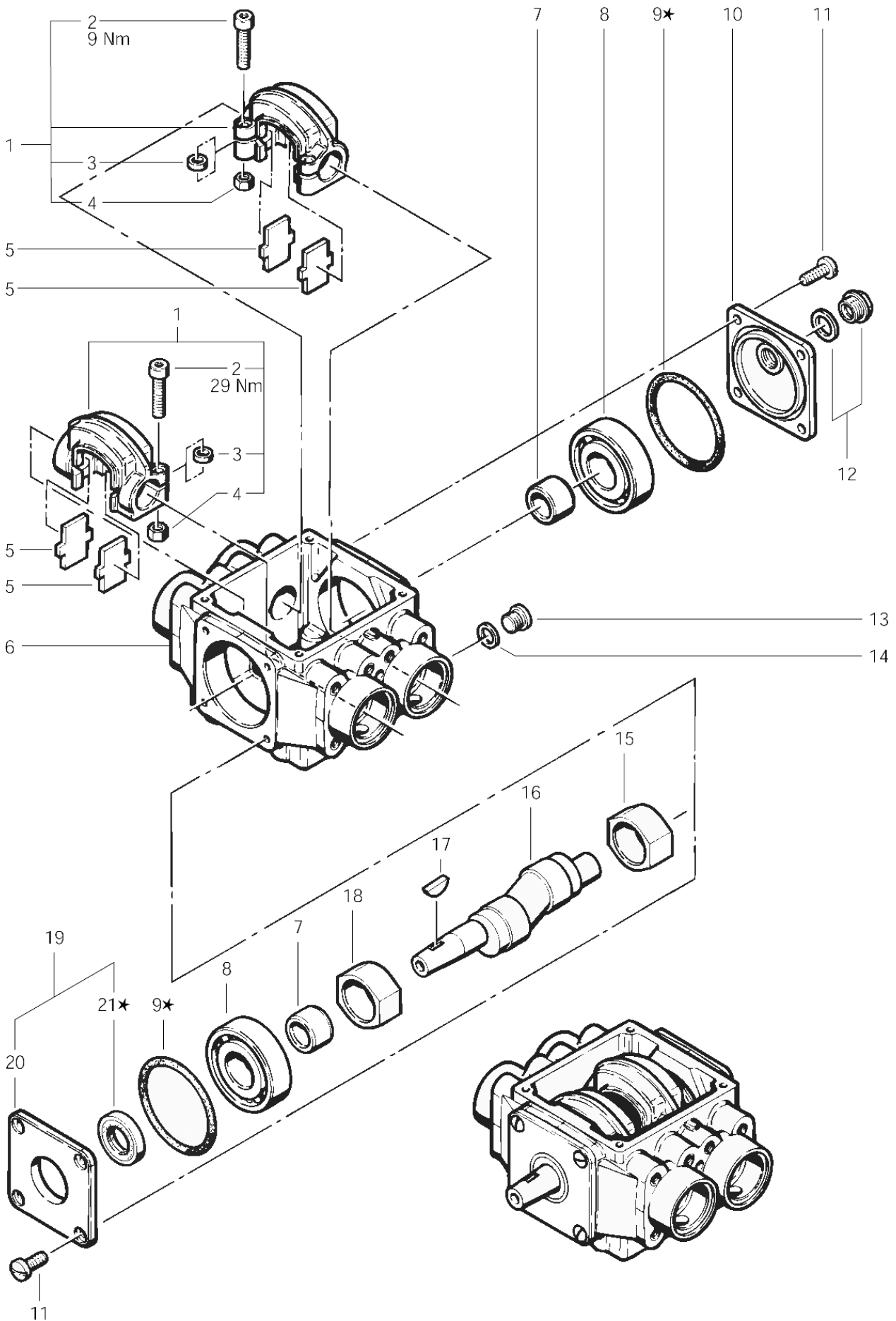
HPM 2/20 2/26 2/36

07-02-2009

Part List ID

HPM220

22



Drive shaft and housing HPM2/20, 2/26

HPM 2/20 2/26 2/36

07-02-2009

Part List ID

HPM220

23

Pos	Part no.	Qty	Description	EAN
1	9719	1	YOKE	4005337097
2	16053	1	SCREW M6 X 30 8.8 DIN	4005337160
3	16054	1	RING	4005337160
4	13989	1	NUT 6KT- M6X1 VA	4005337139
5	9722	1	LAMINA	4005337097
6	6874	1	PUMP HOUSING	4005337068
7	4282	1	BUSHING	4005337042
8	4273	1	ANTI-FRICTION BEARING NJ3	4005337042
9	1678	1	O-RING 72,0 X 2,5 DIN	4005337680
10	32289	1	SIDE COVER	4005337322
11	6878	1	LENS HEAD COUNTERS. SCREW	4005337068
12	32289	1	SIDE COVER	4005337322
13	42312	1	SCREW PLUG G1/4	4005337423
14	11340	1	PACKING RING 13,5X18 A760	4005337113
15	9724	1	SUPPORT RING	4005337097
16	6875	1	DRIVE SHAFT	4005337068
17	2795	1	PAD SPRING 5X6,5 DIN 688	4005337027
18	9724	1	SUPPORT RING	4005337097
19	3620	1	SIDE COVER	4005337036
20	3620	1	SIDE COVER	4005337036
21	1183	1	SHAFT SEAL RING B 20X 40	4005337011
A)	33836	1	GASKET SET 4A/4B-HD-PU	4005337338

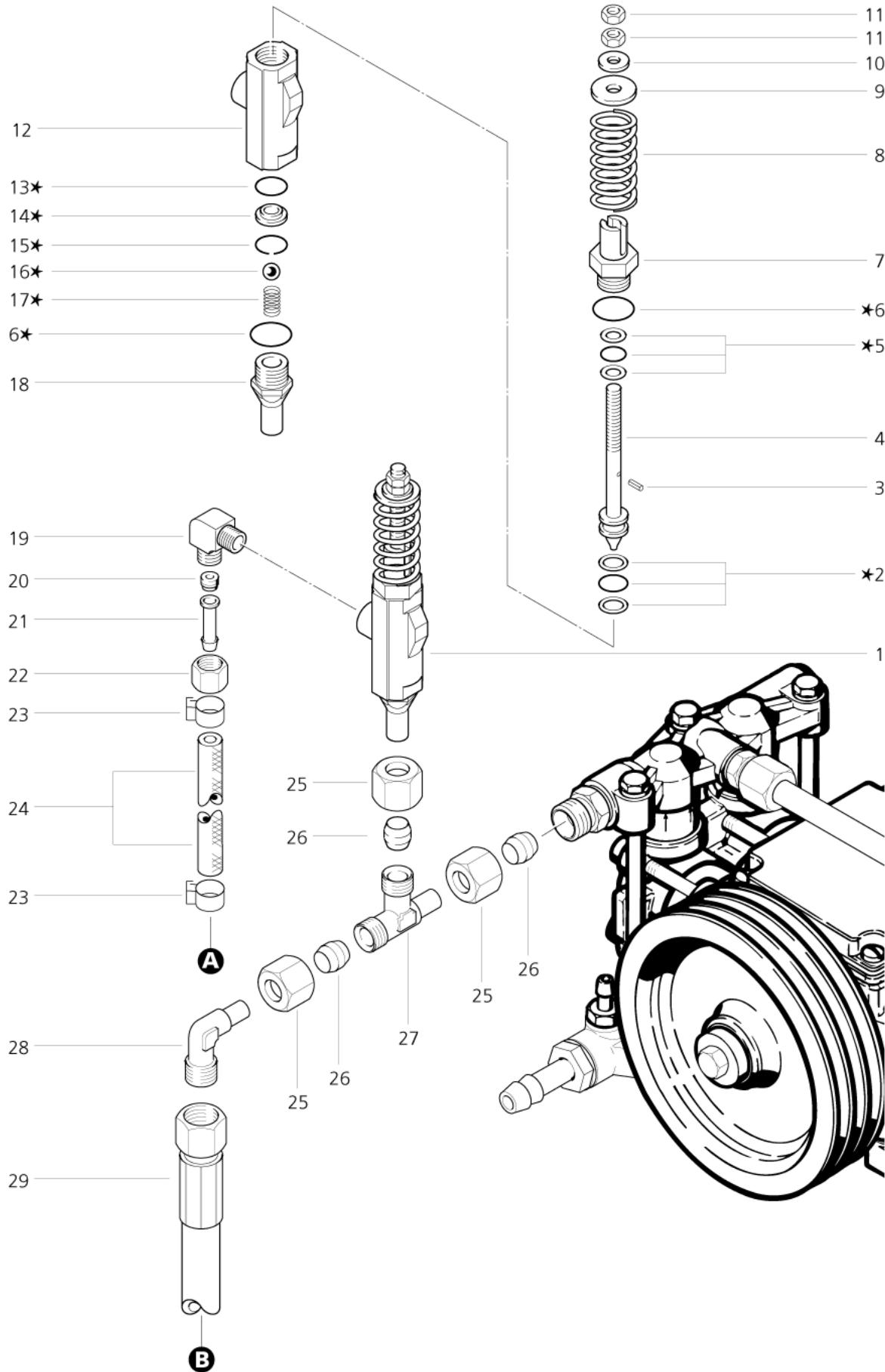
Safety valve HPM2/20, 2/26

HPM 2/20 2/26 2/36

07-02-2009

Part List ID HPM222

24



Safety valve HPM2/20, 2/26

HPM 2/20 2/26 2/36

07-02-2009

Part List ID

HPM222

25

Pos	Part no.	Qty	Description	EAN
1	14962	1	SAFETY BLOCK WAS 16740/19	4005337149
2	9856	1	PACKING SET	A) 4005337098
3	16067	1	PIN 3X14	4005337160
4	16152	1	BY PASS PLUNGER	4005337161
5	9857	1	SEALING PACKING	4005337098
6	4656	1	O-RING 16,0 X2,0 DIN	A) 4005337046
7	16105	1	COVER HEXAGONAL M18X1X41	4005337161
8	11453	1	SPRING 5,0 X21,0X51,0 S	4005337114
9	32052	1	SPRING PRESSURE PAD	4005337320
10	2762	1	WASHER 8,4X1,6	4005337027
11	16135	1	NUT	4005337161
12	16739	1	HOUSING FOR SAFETY VALVE	4005337167
13	9852	1	O-RING 11,0 X1,5	A) 4005337098
14	9851	1	SEAL SEAT D7 XD11XD13,85X	A) 4005337098
15	9853	1	SAFETY RING D14X1 DIN 472	A) 4005337098
16	9854	1	BALL	A) 4005337098
17	9855	1	SPRING 1,3 X9/10X16,5 V	A) 4005337098
18	16742	1	SCREW M18X1-6GX42 VA	4005337167
19	1364	1	SCREWING XWE 6LR1/4"	4005337013
20	1820	1	RING	4005337018
21	17519	1	HOSE LINER	4005337175
22	1368	1	CAP NUT	4005337013
23	11654	1	HOSE CLAMP DIA 11,5	4005337116
25	1081	1	UNION NUT L 12	4005337010
26	1080	1	RING L 12	4005337010
27	4038	1	FITTING XEVL 12L	4005337040
28	1504	1	FITTING XEVW 12L ZN	4005337015
29	52353	1	HP-HOSE NW10X 0,870 M	l=870 MM 4005337523
29	6740	1	HP HOSE NW10X 0,450	l=450 MM 4005337067
A)	15518	1	GASKET SET FOR SAFETY VAL	4005337155

Pressure - /suction plate HPM2/36

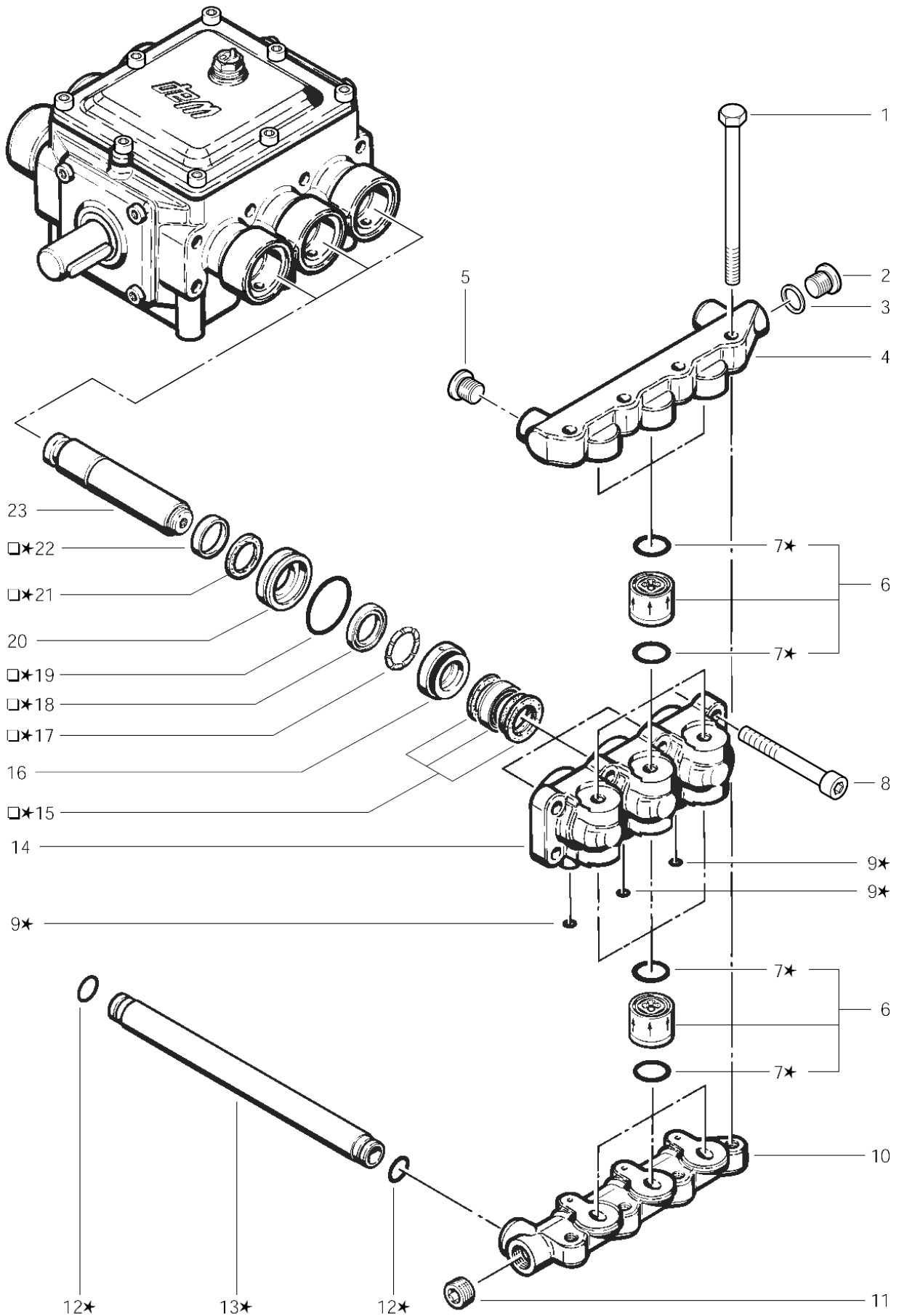
HPM 2/20 2/26 2/36

07-02-2009

Part List ID
HPM224

26

3



Pressure - /suction plate HPM2/36

HPM 2/20 2/26 2/36

07-02-2009

Part List ID

HPM224

27

Pos	Part no.	Qty	Description	EAN
1	4699	1	HEXAGONAL BOLT M10X150	4005337046
2	1407	1	PACKING RING 17X23 C760	4005337014
2	1407	1	PACKING RING 17X23 C760	4005337014
4	16578	1	PRESSURE PLATE	4005337165
5	1230	1	FITTING XGE6LR1/4	4005337012
6	9684	1	VALVE COMPL.	4005337096
7	3702	1	O RING D24X2 A)	4005337037
8	13921	1	CAP SCREW M10X100	4005337139
9	16320	1	O-RING 4,3 X2,4 SMS A)	4005337163
10	16575	1	SUCTION PLATE	4005337165
11	16634	1	SCREW CLOSURE- M20X1,5	4005337166
12	16443	1	O-RING Ø 17X2 A)	4005337164
13	16633	1	PIPE A)	4005337166
14	13994	1	VALVE BLOCK	4005337139
15	16295	1	GASKET SET A), B)	4005337162
16	16297	1	PRESSURE RING	4005337162
17	16709	1	SUPPORTING RING 26 X A), B)	4005337167
18	16329	1	GROOVED RING A), B)	4005337163
19	16328	1	O-RING 43,0 X2,0 A), B)	4005337163
20	16298	1	RING	4005337162
21	6881	1	RING A), B)	4005337068
22	4286	1	SHAFT SEAL RING A 25X 33 A), B)	4005337042
23	16362	1	PISTON	4005337163
A)	33092	1	GASKET SET FOR PUMP 6A	4005337330
B)	33090	1	GASKET SET FOR 6 PISTONS	4005337330

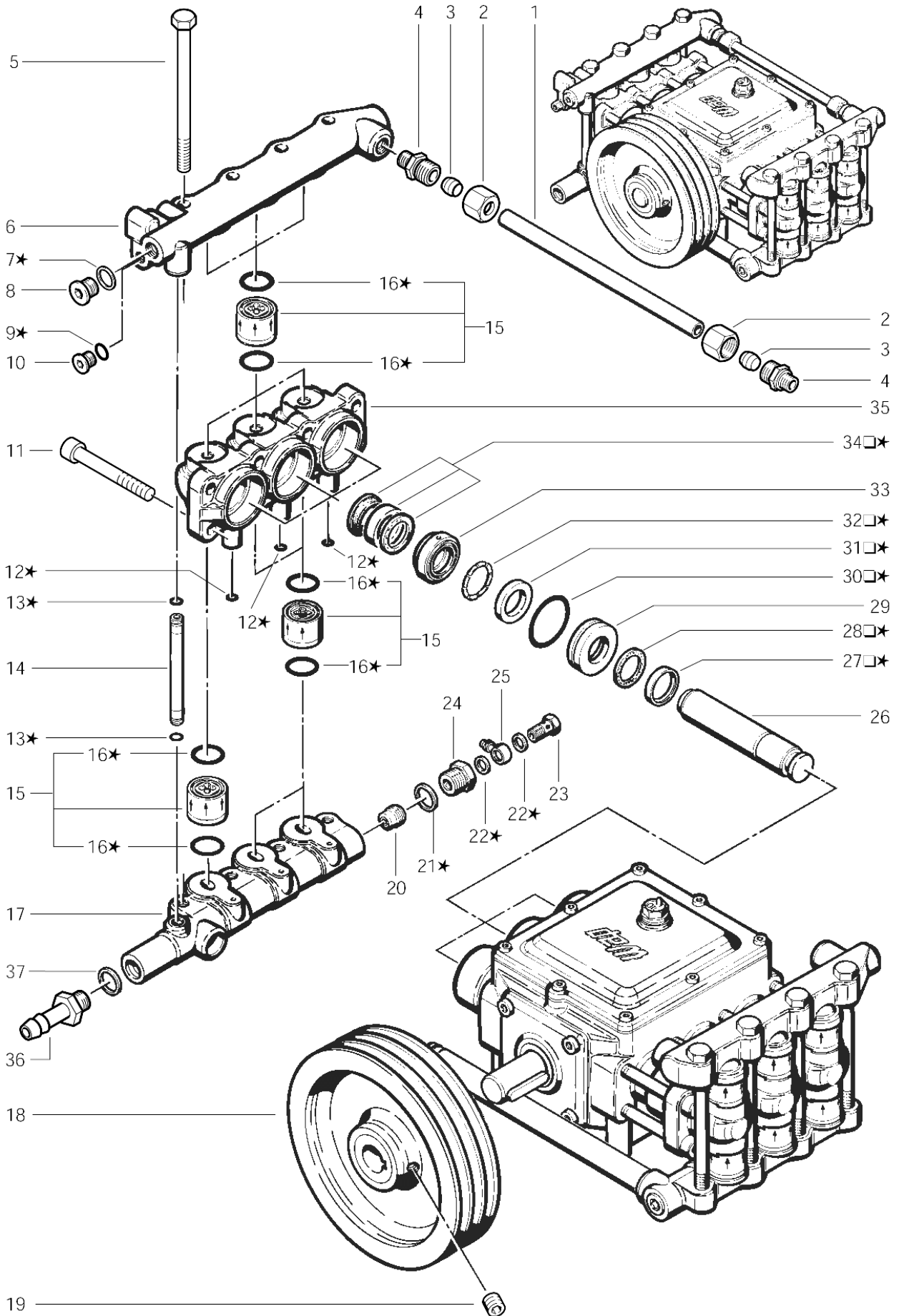
Pistons HPM2/36

HPM 2/20 2/26 2/36

07-02-2009

Part List ID
HPM226

28



Pistons HPM2/36

HPM 2/20 2/26 2/36

07-02-2009

Part List ID

HPM226

29

Pos	Part no.	Qty	Description	EAN
1	16757	1	PIPE	4005337167
2	1081	1	UNION NUT L 12	4005337010
3	1080	1	RING L 12	4005337010
4	3938	1	UNION PIECE SDS L12 G1/4 ISO	4005337039
5	4699	1	HEXAGONAL BOLT M10X150	4005337046
6	16584	1	PRESSURE PLATE	4005337165
7	11340	1	PACKING RING 13,5X18 A760	A) 4005337113
8	42312	1	SCREW PLUG G1/4	4005337423
9	1605	1	PACKING RING 10X14	A) 4005337016
10	4443	1	PLUG	4005337044
11	13921	1	CAP SCREW M10X100	4005337139
12	16320	1	O-RING 4,3 X2,4 SMS	A) 4005337163
13	32014	1	O-RING 7,5 X1,5	A) 4005337320
14	16639	1	PIPE	4005337166
15	9684	1	VALVE COMPL.	4005337096
16	3702	1	O RING D24X2	A) 4005337037
17	16580	1	SUCTION PLATE	4005337165
18	4430	1	V-BELT PULLEY	4005337044
19	9678	1	SET SCREW	4005337096
20	9587	1	INSERT 4/6 K 220	4005337095
21	1469	1	PACKING RING 20X24 A760	A) 4005337014
22	1605	1	PACKING RING 10X14	A) 4005337016
23	17190	1	BANJO BOLT	4005337171
24	16635	1	PLUG	4005337166
25	4970	1	RING NIPPLE	4005337049
26	16362	1	PISTON	4005337163
27	4286	1	SHAFT SEAL RING A 25X 33	A), B) 4005337042
28	6881	1	RING	A), B) 4005337068
29	16298	1	RING	4005337162
30	16328	1	O-RING 43,0 X2,0	A), B) 4005337163
31	16329	1	GROOVED RING	A), B) 4005337163
32	16709	1	SUPPORTING RING 26 X	A), B) 4005337167
33	16297	1	PRESSURE RING	4005337162
34	16295	1	GASKET SET	A), B) 4005337162
35	13994	1	VALVE BLOCK	4005337139
36	14078	1	HOSE LINER DN20	4005337140
37	5273	1	PACKING RING	4005337052
A)	33092	1	GASKET SET FOR PUMP 6A	4005337330
B)	33090	1	GASKET SET FOR 6 PISTONS	4005337330

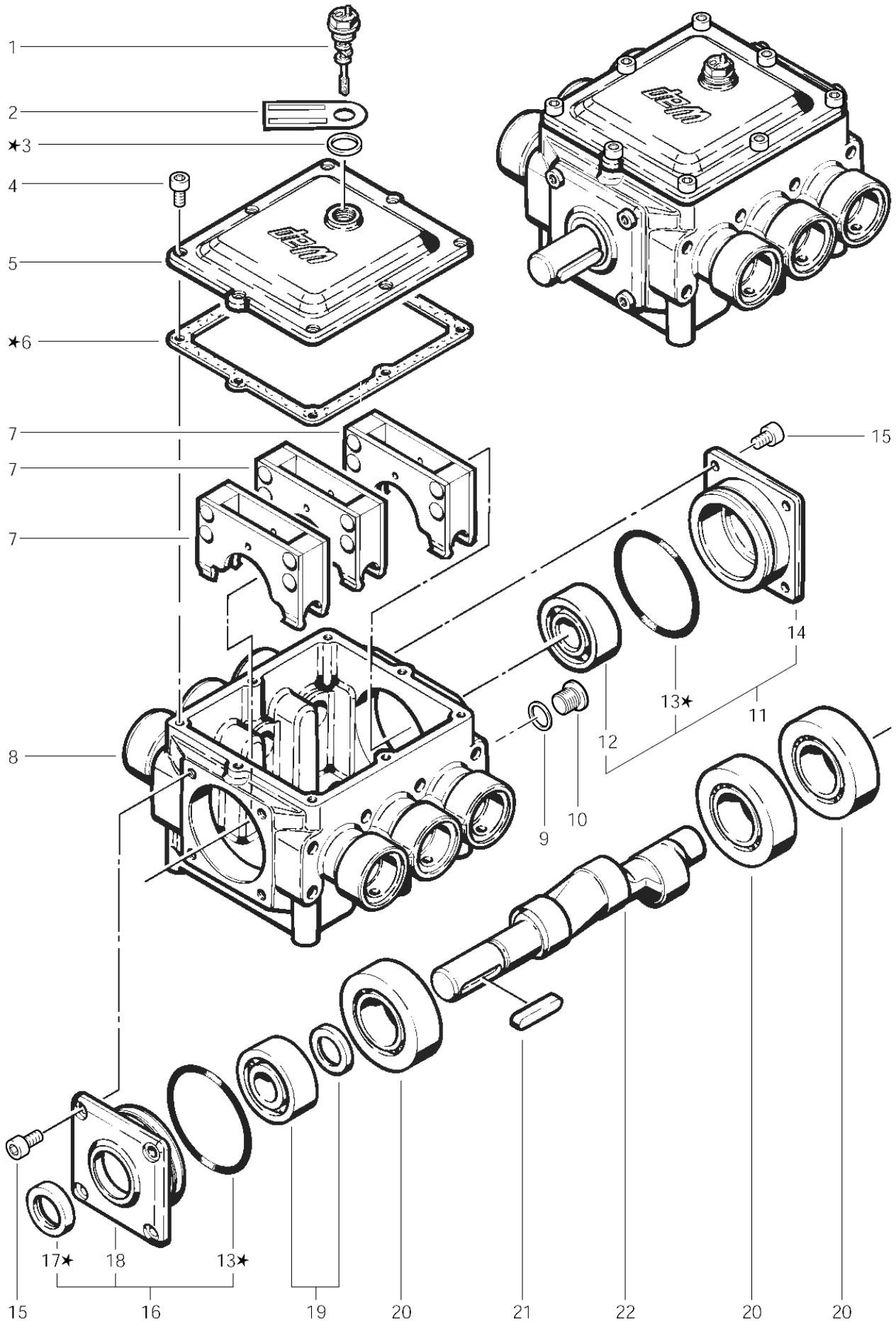
Drive shaft and housing HPM2/36

HPM 2/20 2/26 2/36

07-02-2009

Part List ID HPM228

30



Drive shaft and housing HPM2/36

HPM 2/20 2/26 2/36

07-02-2009

Part List ID

HPM228

31

Pos	Part no.	Qty	Description	EAN
1	16627	1	OIL PLUG	4005337166
2	57321	1	OIL PLUG	4005337573
3	16048	1	GASKET D22/16,5X2 NBR	4005337160
4	4697	1	SCREW M6X16	4005337046
5	16004	1	HOUSING COVER	4005337160
6	16009	1	GASKET 174 X160 X 1	4005337160
7	16354	1	YOKE	4005337163
8	13956	1	PUMP HOUSING	4005337139
9	11340	1	PACKING RING 13,5X18 A760	4005337113
10	42312	1	SCREW PLUG G1/4	4005337423
12	3674	1	ANTI-FRICTION BEARING	4005337036
13	16355	1	O-RING 82,0 X2,0	4005337163
14	16006	1	COVER	4005337160
15	2788	1	SCREW M8X16	4005337027
17	3677	1	SHAFT SEAL RING 25X 40	4005337079
18	16008	1	COVER	4005337160
19	3673	1	ANTI-FRICTION BEARING	4005337036
20	3672	1	ROLLER BEARING	4005337036
21	4505	1	FITTING KEY	4005337045
22	3671	1	DRIVE SHAFT	4005337036
A)	33092	1	GASKET SET FOR PUMP 6A	4005337330

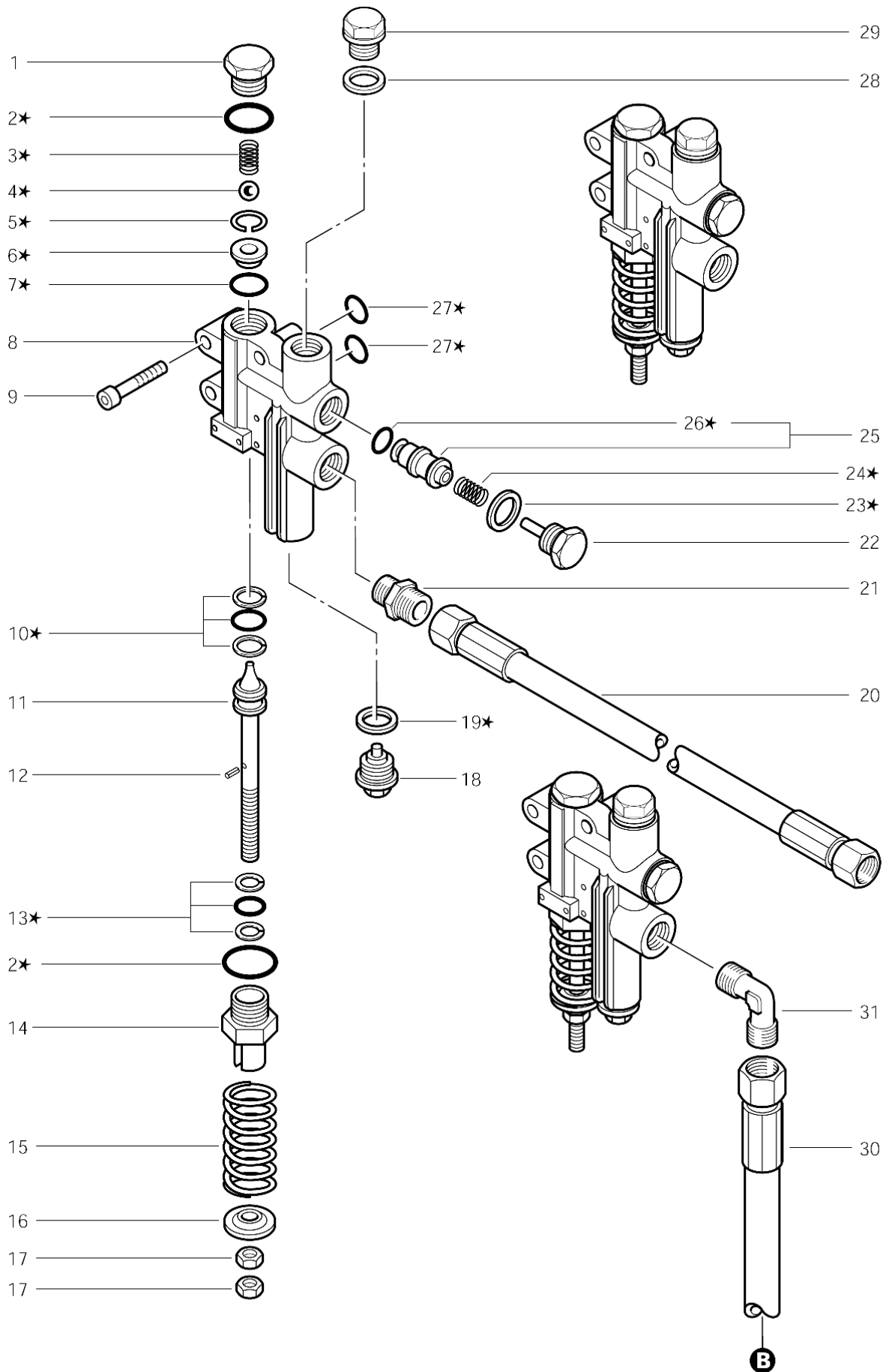
Safety valve HPM2/36

HPM 2/20 2/26 2/36

07-02-2009

Part List ID
HPM230

32



Safety valve HPM2/36

HPM 2/20 2/26 2/36

07-02-2009

Part List ID
HPM230

33

Pos	Part no.	Qty	Description		EAN
1	9575	1	SCREW PLUG		4005337095
2	4656	1	O-RING 16,0 X2,0 DIN	A)	4005337046
3	9855	1	SPRING 1,3 X9/10X16,5 V	A)	4005337098
4	9854	1	BALL	A)	4005337098
5	9853	1	SAFETY RING D14X1 DIN 472	A)	4005337098
6	9851	1	SEAL SEAT D7 XD11XD13,85X	A)	4005337098
7	9852	1	O-RING 11,0 X1,5	A)	4005337098
8	16623	1	HOUSING		4005337166
9	9752	1	SCREW M6 X 35 12.6 DIN		4005337097
10	9856	1	PACKING SET	A)	4005337098
11	16152	1	BY PASS PLUNGER		4005337161
12	16067	1	PIN 3X14		4005337160
13	9857	1	SEALING PACKING	A)	4005337098
14	16105	1	COVER HEXAGONAL M18X1X41		4005337161
15	11453	1	SPRING 5,0 X21,0X51,0 S		4005337114
16	32052	1	SPRING PRESSURE PAD		4005337320
17	16135	1	NUT		4005337161
18	13662	1	PLUG		4005337136
19	13663	1	PACKING RING 16X20 A760	A)	4005337136
20	1496	1	HP HOSE DN10X0,51M		4005337014
21	1655	1	SCREW XG 12LR3/8"		4005337016
22	16625	1	PLUG FOR REG SAFETY BLOCK		4005337166
23	1407	1	PACKING RING 17X23 C760	A)	4005337014
24	18067	1	COMPRESSION SPRING	A)	4005337180
25	16629	1	PISTON		4005337166
26	9858	1	O-RING Ø 6X3	A)	4005337098
27	9569	1	O-RING 9,0 X1,5	A)	4005337095
30	3986	1	HP HOSE DN10X 0,39M		4005337039
31	1823	1	SCREW WE 12L/R3/8"		4005337018
A)	15151	1	GASKET SET FOR CONTROL BL		4005337151

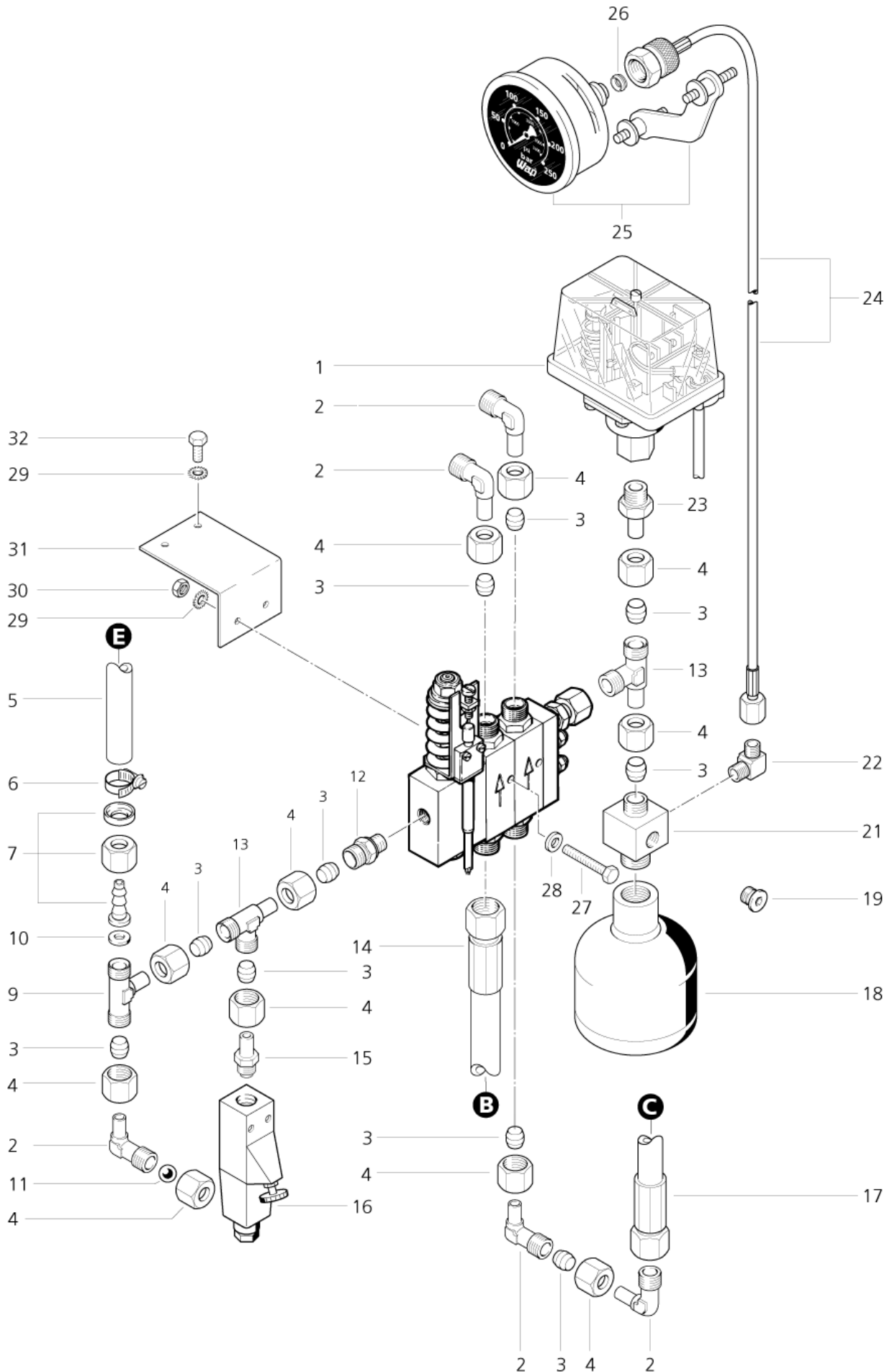
Pressure switch and pressure gauge

HPM 2/20 2/26 2/36

07-02-2009

Part List ID
HPM232

34



Pressure switch and pressure gauge

HPM 2/20 2/26 2/36

07-02-2009

Part List ID

HPM232

35

Pos	Part no.	Qty	Description	EAN
1	8779	1	PRESSURE MONITOR 14-250 B	4005337087
2	1504	1	FITTING XEVW 12L ZN	4005337015
3	1080	1	RING L 12	4005337010
4	1081	1	UNION NUT L 12	4005337010
5	1082	1	HOSE PLEASE INDICATE LENGTHS IN METRES WHEN ORDERING	4005337010
6	1654	1	HOSE CLIP 16X9	4005337075
7	1039	1	NIPPLE M 18 X 1.5	4005337010
9	4102	1	SCREWING	4005337041
10	17067	1	THROTTLE	4005337170
11	10430	1	BALL 15	4005337104
12	3938	1	UNION PIECE SDS L12 G1/4 ISO	4005337039
13	4038	1	FITTING XEVL 12L	4005337040
14	3986	1	HP HOSE DN10X 0,39M HPM 2/20, HPM 2/26	4005337039
14	6740	1	HP HOSE NW10X 0,450 HPM 2/36	4005337067
15	6628	1	SCREW XEVGE 12LR1/4"Z	4005337066
16	4852	1	PRESSURE SWITCH 0.2-2 BAR	4005337048
17	1496	1	HP HOSE DN10X0,51M HPM 2/20, HPM 2/26	4005337014
17	52353	1	HP-HOSE NW10X 0,870 M HPM 2/36	4005337523
18	4173	1	HYDRAULIC ACCUMULATOR 0.7 50 BAR	4005337041
19	4080	1	SCREW PLUG G	4005337040
21	7101	1	DISTRIBUTOR SQUARE	4005337071
22	1364	1	SCREWING XWE 6LR1/4"	4005337013
23	1841	1	SCREW X 12L R3/8"	4005337018
24	60142	1	HP-HOSE DN 2X1500	4005337601
25	31748	1	PRESSURE GAUGE	4005337317
26	5897	1	PACKING RING 5,4X9,3X3,	4005337058
27	17749	1	HEXAGON HEAD CAP SCREW	4005337177
32	2754	1	SCREW M6X16	4005337027

Control piston

HPM 2/20 2/26 2/36

07-02-2009

Part List ID

HPM234

37

Pos	Part no.	Qty	Description	EAN
1	24268	1	CONTROL PISTON	4005337242
2	34203	1	GROOVED PIN	4005337342
3	34201	1	GUIDE PLUG	4005337342
4	24269	1	O-RING 20,5 X1,8	A) 4005337242
5	34202	1	PISTON ROD	4005337342
6	24270	1	GUIDE RING	A) 4005337242
7	24271	1	SUPPORTING RING 13,5 X1	A) 4005337242
8	24272	1	O-RING 9,2 X1,8	4005337242
9	62036	1	PISTON Ø18X4X28. 5	4005337620
10	24274	1	SUPPORT RING	A) 4005337242
11	24273	1	O-RING 12,0 X2,5	A) 4005337242
12	51334	1	HOUSING	4005337513
13	24276	1	VALVE BODY	A) 4005337242
14	9854	1	BALL	A) 4005337098
15	9855	1	SPRING 1,3 X9/10X16,5 V	A) 4005337098
16	4656	1	O-RING 16,0 X2,0 DIN	A) 4005337046
17	9575	1	SCREW PLUG	4005337095
18	15940	1	LIMIT SWITCH (CABLE 3000)	4005337159
20	13608	1	STOP CAP 11.5 PE	4005337136
21	33613	1	ANGLE	4005337336
22	24275	1	STOPPER	4005337242
23	34210	1	SPRING	4005337342
24	34209	1	PAD D10,5	4005337342
25	34208	1	NUT M10X1	4005337342
26	2760	1	HEXAGON NUT M5	4005337027
27	33639	1	STOP PLATE	4005337336
28	3350	1	CHEESE HEAD SCREW	4005337033
A)	51619	1	REPAIR KIT MPAT HD-2	4005337516

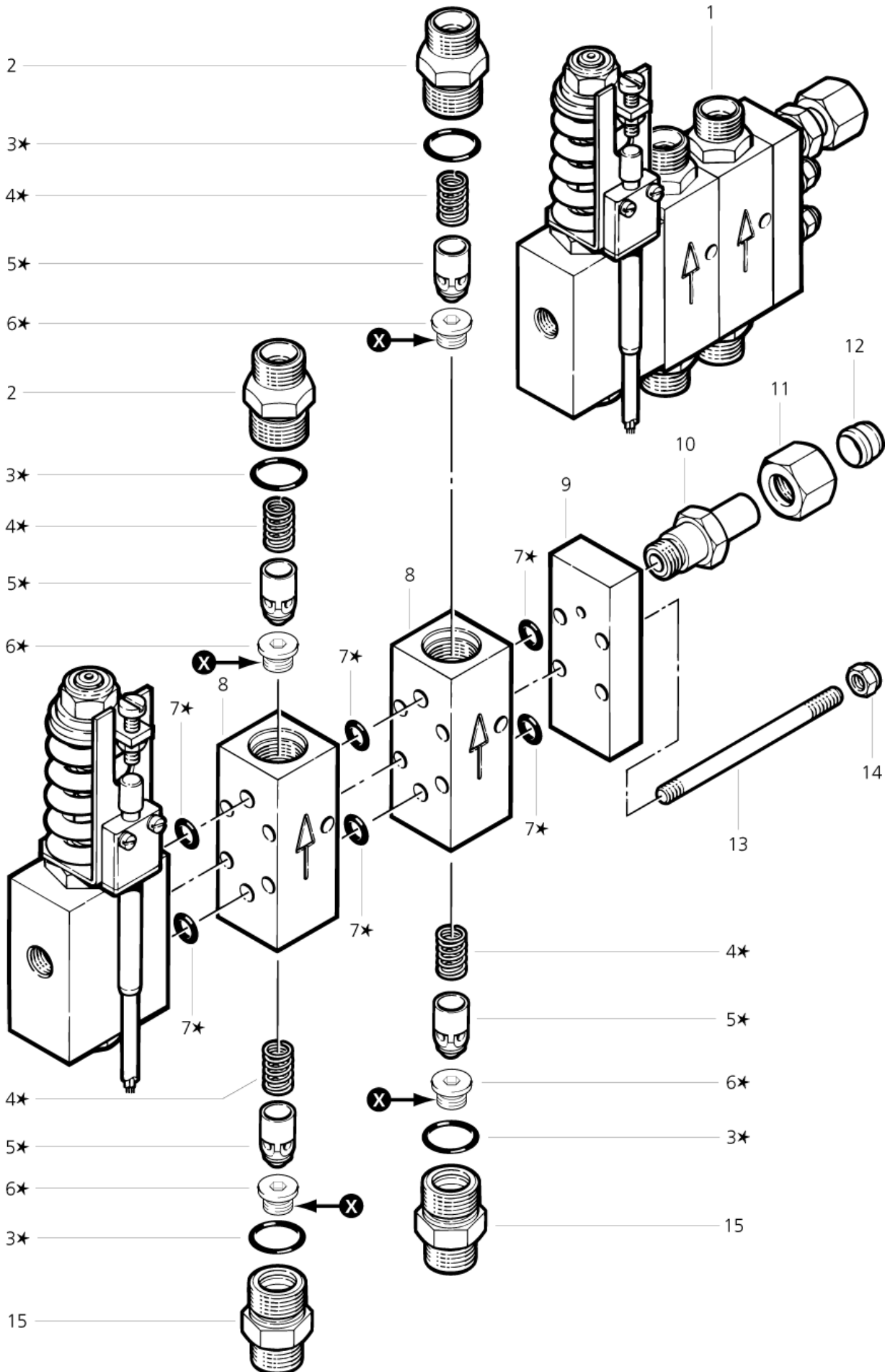
Multi-pump control valve

HPM 2/20 2/26 2/36

07-02-2009

Part List ID
HPM236

38



Multi-pump control valve

HPM 2/20 2/26 2/36

07-02-2009

Part List ID

HPM236

39

Pos	Part no.	Qty	Description	EAN
1	51391	1	MULTI-PUMP CONTROL VALVE	4005337513
2	51332	1	NIPPLE	4005337513
3	16443	1	O-RING Ø 17X2	A) 4005337164
4	9301	1	SPRING 0,6 X 9,2 X16,0V	A) 4005337093
5	51333	1	RECOIL BODY	A) 4005337513
6	24276	1	VALVE BODY	A) 4005337242
7	51453	1	O-RING 8,3 X2,4 FP	A) 4005337514
8	51335	1	FLANGE CONNECTION	4005337513
9	17974	1	END FLANGE	4005337179
10	51373	1	SCREW G1/4-12	4005337513
11	22433	1	UNION NUT, STAINLESS STEEL	4005337224
12	22432	1	CUTTING RING, STAINLESS	4005337224
13	24287	1	PIN SCREW M6 X 80	4005337242
14	33158	1	NUT 6KT- M6 985 VA	4005337331
15	51331	1	NIPPLE	4005337513
A)	51619	1	REPAIR KIT MPAT HD-2	4005337516

Magnet valve

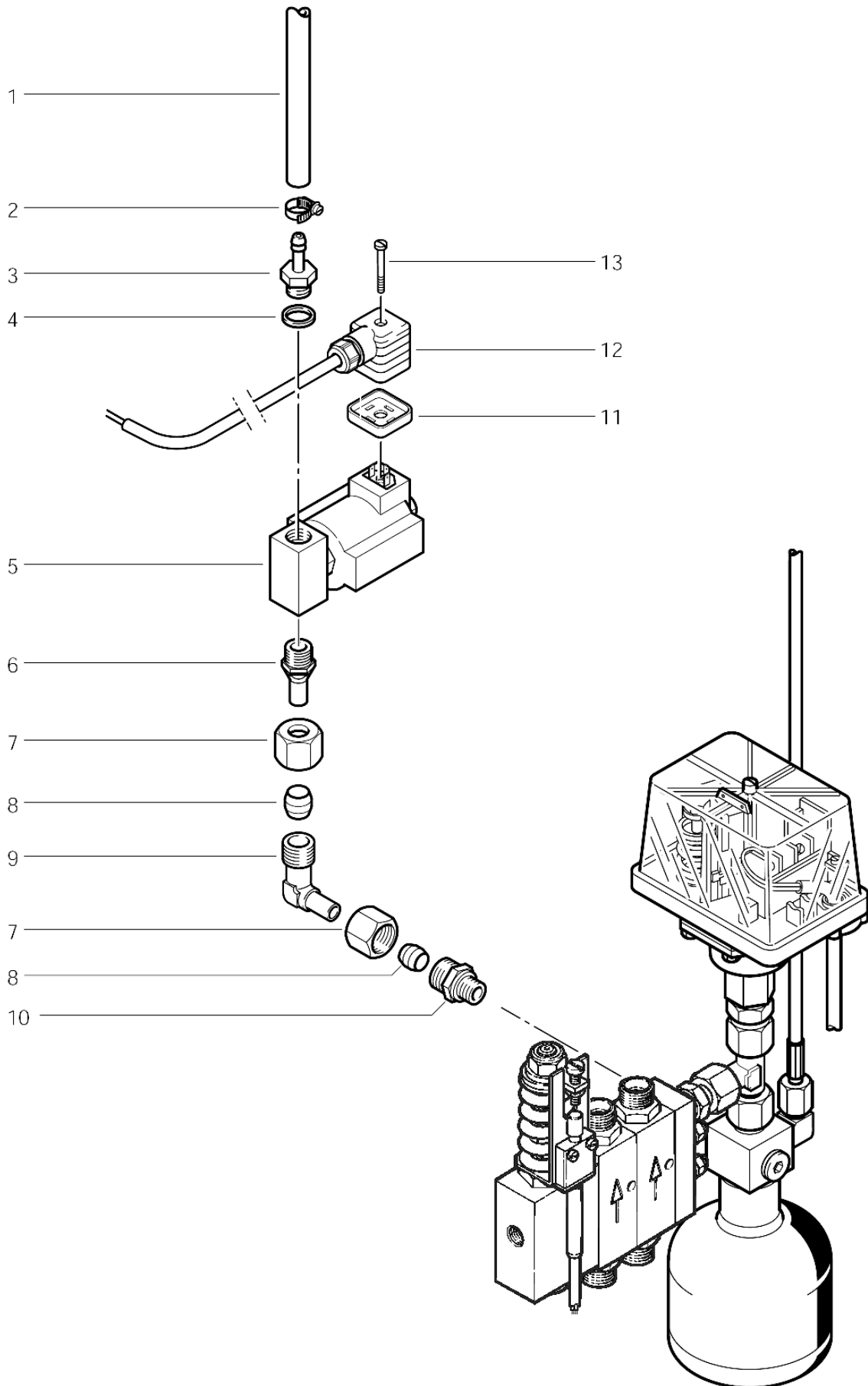
HPM 2/20 2/26 2/36

07-02-2009

Part List ID

HPM238

40



Magnet valve

HPM 2/20 2/26 2/36

07-02-2009

Part List ID

HPM238

41

Pos	Part no.	Qty	Description	EAN
1	9175	1	HOSE PLEASE INDICATE LENGTHS IN METRES WHEN ORDERING	4005337091
2	11654	1	HOSE CLAMP DIA 11,5	4005337116
3	4078	1	HOSE LINER G1/4	4005337040
4	11340	1	PACKING RING 13,5X18 A760	4005337113
5	53730	1	SOLENOID VALVE	4005337537
6	6628	1	SCREW XEVGE 12LR1/4"Z	4005337066
7	1081	1	UNION NUT L 12	4005337010
8	1080	1	RING L 12	4005337010
9	1504	1	FITTING XEVW 12L ZN	4005337015
10	3938	1	UNION PIECE SDS L12 G1/4 ISO	4005337039
11	17767	1	GASKET SOLENOID VALVE	4005337177
12	11693	1	PLUG F. SOLENOID VALVE	4005337116
13	45516	1	OVAL-HEAD SCREW M3X30	4005337455

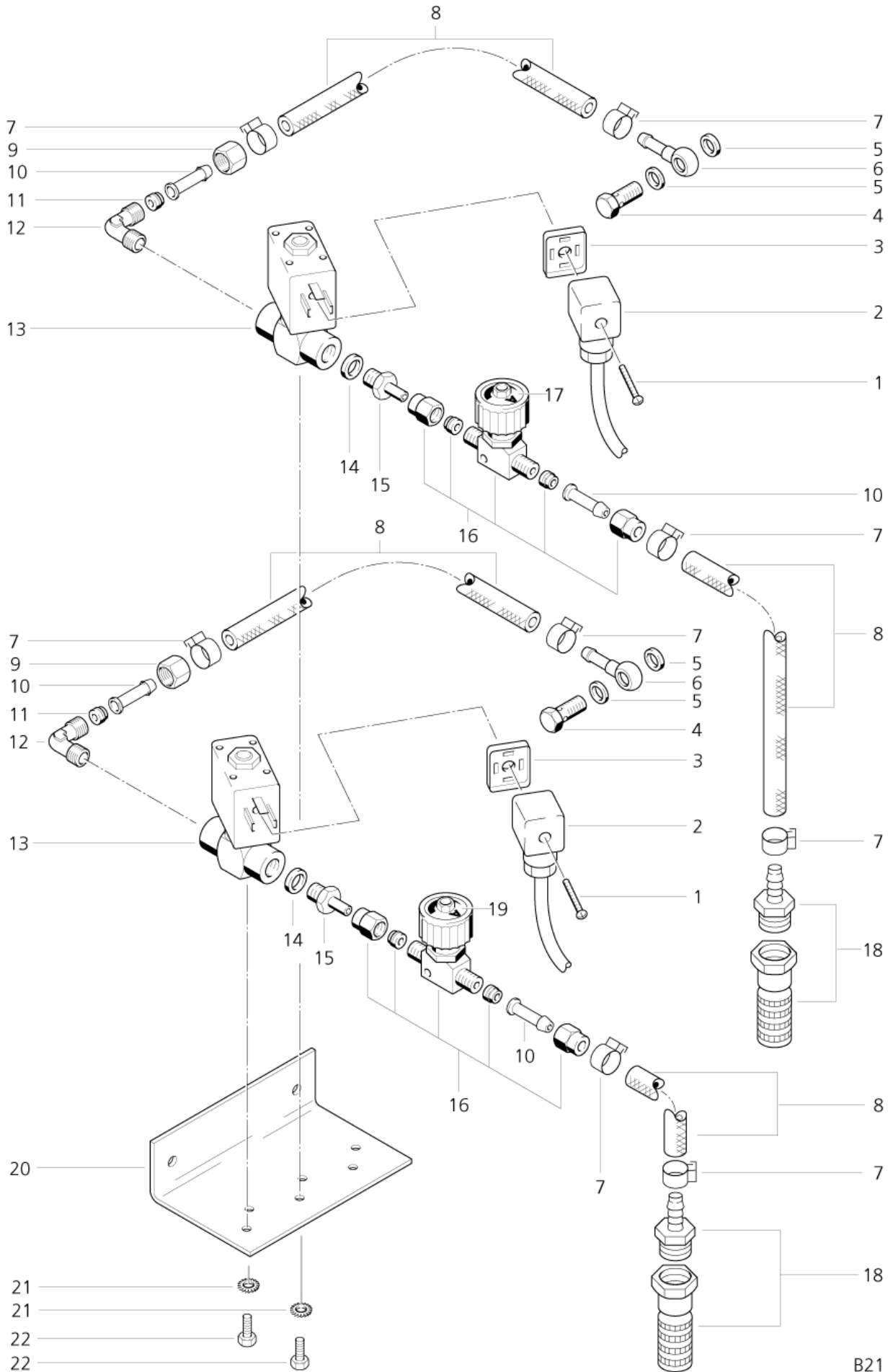
Hose liner

HPM 2/20 2/26 2/36

07-02-2009

Part List ID
HPM240

42



B21

Hose liner

HPM 2/20 2/26 2/36

07-02-2009

Part List ID
HPM240

43

Pos	Part no.	Qty	Description	EAN
1	45516	1	OVAL-HEAD SCREW M3X30	4005337455
2	46877	1	COUPLER	4005337468
3	17767	1	GASKET SOLENOID VALVE	4005337177
4	17190	1	BANJO BOLT	4005337171
5	1605	1	PACKING RING 10X14	4005337016
6	4970	1	RING NIPPLE	4005337049
7	11654	1	HOSE CLAMP DIA 11,5	4005337116
9	15127	1	CAP NUT	4005337151
10	17519	1	HOSE LINER	4005337175
11	15133	1	TAPER RING L 6 3861 VA	4005337151
12	18011	1	SCREW 6 R1/8	4005337180
13	53295	1	SOLENOID VALVE	4005337532
14	2838	1	PACKING RING 10X14X3	4005337028
15	24570	1	MALE SCREW FITTING G1/8X2	4005337245
16	12118	1	FINE CONTROL VALVE D6 MS	4005337121
17	12117	1	TAP STICKER	4005337121
18	17508	1	STRAINER VALVE 6	5701715306
19	12116	1	SPARE PART	4005337121
20	20120	1	ELBOW 40X80X130	4005337201
21	4021	1	SERRATED LOCK WASHER A4,	4005337040
22	8914	1	HEXAGONAL BOLT M4X10 DIN	4005337089