

2200W, 3300

Model:
TRITON 3300
POWERCLASS



Part List US-English

15-04-2009

Nilfisk
ALTO
Why Compromise

Motor pump unit	3
Crankshaft housing	5
Valve block	7
Unloader valve	9
Water inlet	11
Chassis	13

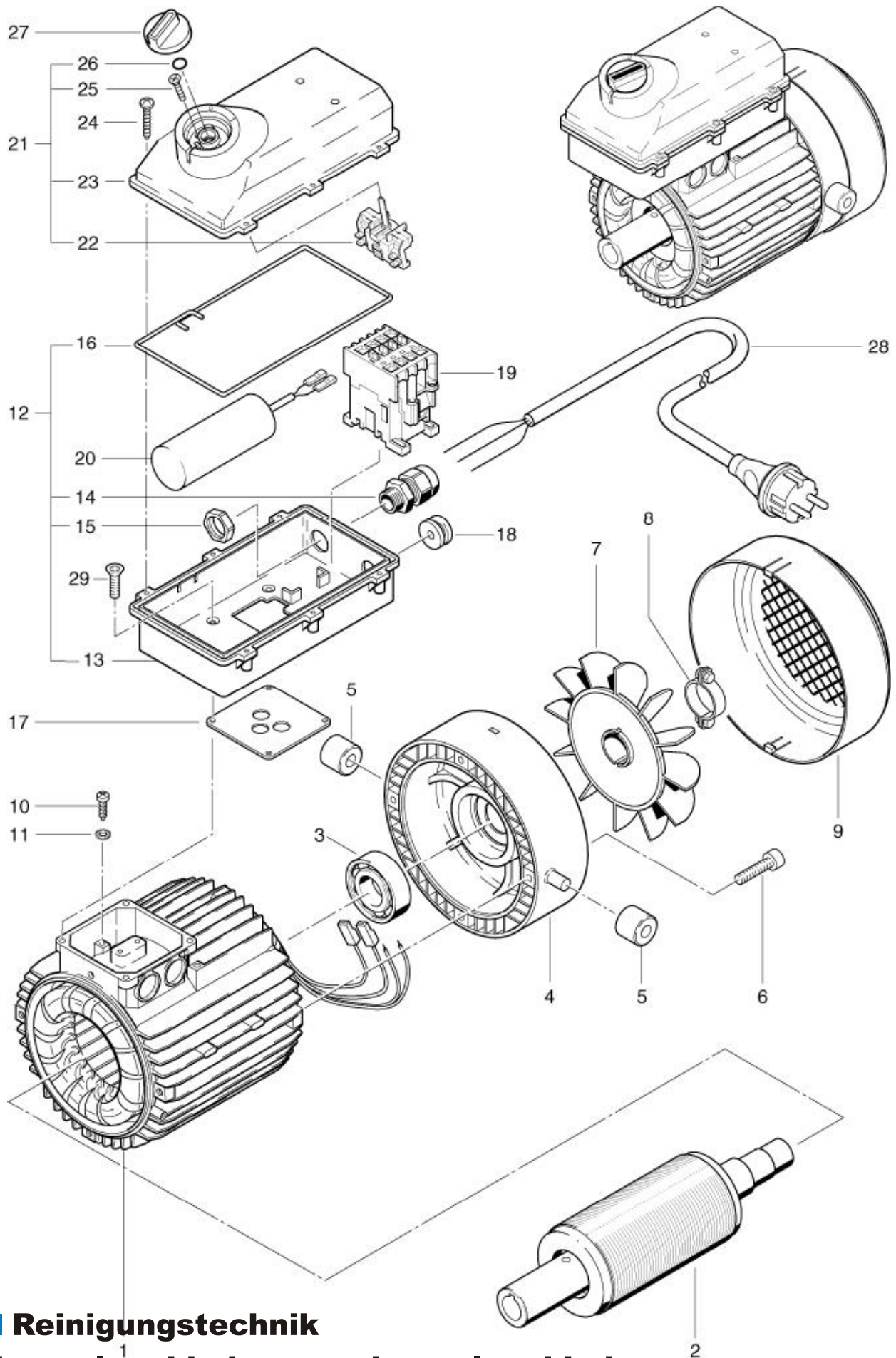
Motor pump unit

2200W, 3300

15-04-2009

Part List ID
ALTO2200W02

3



Motor pump unit

2200W, 3300

15-04-2009

Part List ID
ALTO2200W02

4

Pos	Part no.	Qty	Description		EAN
1	61053	1	STATOR 5,5KW 230/400AT 50H	3300 EU - 5,5KW 230/400V/50HZ	4005337610
1	61058	1	STATOR 2,3KW 230AT 1/50HZ	2200 W - 2,3KW 230V/1/50HZ	4005337610
2	61054	1	ROTOR	3300EU EXP	4005337610
2	61060	1	ROTOR 80X36 H140 WAP 2200	2200 W	4005337610
3	40918	1	GROOVE BALL BEARING 6206		4005337409
4	61061	1	BEARING COVER		4005337610
5	26608	1	BUFFER Ø30X20		4005337266
6	13600	1	SCREW M6X25		4005337136
7	61062	1	FAN		4005337610
8	61572	1	CLIP		4005337615
9	61063	1	FAN GUARD		4005337610
10	4144	1	SCREW M4X6		4005337041
11	4021	1	SERRATED LOCK WASHER A4,		4005337040
12	63481	1	SWITCH CASE HOUSING - UNDERpart	2200 W, 3300 EU EXP	4005337634
12	63482	1	SWITCH CASE HOUSING - UNDERpart	3300 KR	4005337634
13	63469	1	SWITCH CASE HOUSING - UNDERPAR		4005337634
14	17349	1	CABLE SCREW	2200 W, 3300 EU EXP	4005337173
14	17350	1	CABLE SCREWING	3300 KR	4005337173
15	17345	1	NUT 6KT PG 13,5 46320 PVC	2200 W, 3300 EU EXP	4005337173
15	17346	1	NUT 6KT PG 16 46320 PVC	3300 KR	4005337173
16	101406054	1	SPONGE RUBBER Ø4 1M		5701715457
17	29932	1	GASKET FOR TERMINAL BOX A		4005337299
18	60270	1	CABLE BUSHING		4005337602
19	63678	1	CONTACT A16-30-10 220-	2200 W - A16-30-10 220-230V/50HZ 7,5KW	4005337636
19	63878	1	CONTACT 380-400AT 50HZ 7	3300 EU - A16-30-10 400-415V/50HZ 7,5KW	4005337638
19	63878	1	CONTACT 380-400AT 50HZ 7	3300 EXP - A16-30-10 380V/50-60HZ 415V/60HZ	4005337638
19	63909	1	CONTACT 100-C23KG10 20	3300 KR - A26-30-10 175V/50HZ 208V/60HZ	4005337639
20	61303	1	CAPACITOR 80MF 400/450V SERIE RPN-2	2200 W	4005337613
21	63471	1	SWITCH CASE HOUSING - UPP		4005337634
22	29931	1	ROTARY SWITCH		4005337299
23	63470	1	SWITCH BOX UPPER PART		4005337634
24	16861	1	SCREW 4X20		4005337168
25	18274	1	COUNTERSUNK SCREW M4X12		4005337182
26	9868	1	O RING DIA 10X2,5		4005337098
27	243611	1	TURNING KNOB		4005337017
28	63499	1	POWER CORD H07RN-F 4G1.5X6M	3300 EU	4005337634
28	63501	1	POWER CORD H07RN-F 4G1.5X6M	3300 EXP	4005337635
28	63502	1	WIRE-NET H07RN-F 4G2.5X5.	3300 KR	4005337635
28	63505	1	POWER CABLE 3G1,5X5,5	2200 W EU	4005337635
28	63687	1	POWER CABLE 3G1,5X5,5M	2200 W ZA	4005337636
29	30346	1	COUNTERSUNK SCREW		4005337303

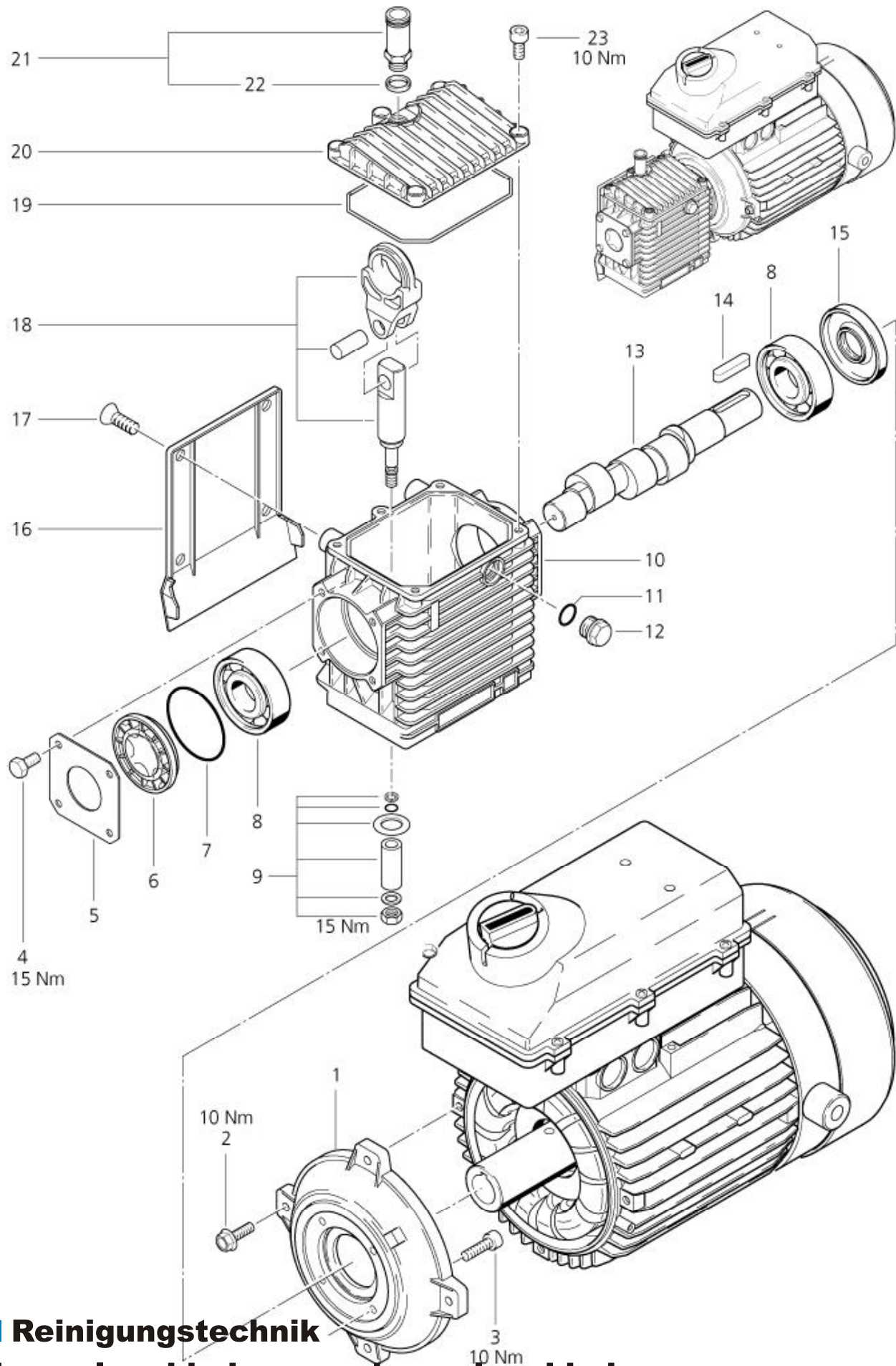
Crankshaft housing

2200W, 3300

15-04-2009

Part List ID
ALTO2200W04

5



Crankshaft housing

2200W, 3300

15-04-2009

Part List ID
ALTO2200W04

6

Pos	Part no.	Qty	Description	EAN
-	107144146	1	PUMP OIL NA5 1X1 LITER BOTTLE	4005337151
1	61064	1	BEARING COVER	4005337610
2	61080	1	HEXAGONAL BOLT M 6X 2	4005337610
3	13600	1	SCREW M6X25	4005337136
4	19647	1	SCREW M6 X 10 DIN	4005337196
5	61070	1	PUMP COVER	4005337610
6	61068	1	BEARING	4005337610
7	19621	1	O-RING 56,0 X3,55	4005337196
8	19643	1	BALL BEARING	4005337196
9	61088	1	PISTON SET	4005337610
10	61065	1	PUMP HOUSING	4005337610
11	19620	1	O-RING Ø 15.54X2.62	4005337196
12	6868	1	SCREW PLUG G3/8	4005337068
13	61067	1	CRANK SHAFT	4005337610
14	61071	1	PIN	4005337610
15	61069	1	SHAFT SEAL RING 25X 62	4005337610
16	61089	1	COVER PLATE	4005337610
17	8942	1	COUNTERSUNK SCREW M8X16	4005337089
18	61087	1	BEARING	4005337610
19	61090	1	O-RING 101,27X2,62	4005337610
20	61091	1	PUMP COVER	4005337610
21	61117	1	BREATHER VALVE	4005337611
22	13770	1	O-RING 12,0 X1,5	4005337137
23	4697	1	SCREW M6X16	4005337046

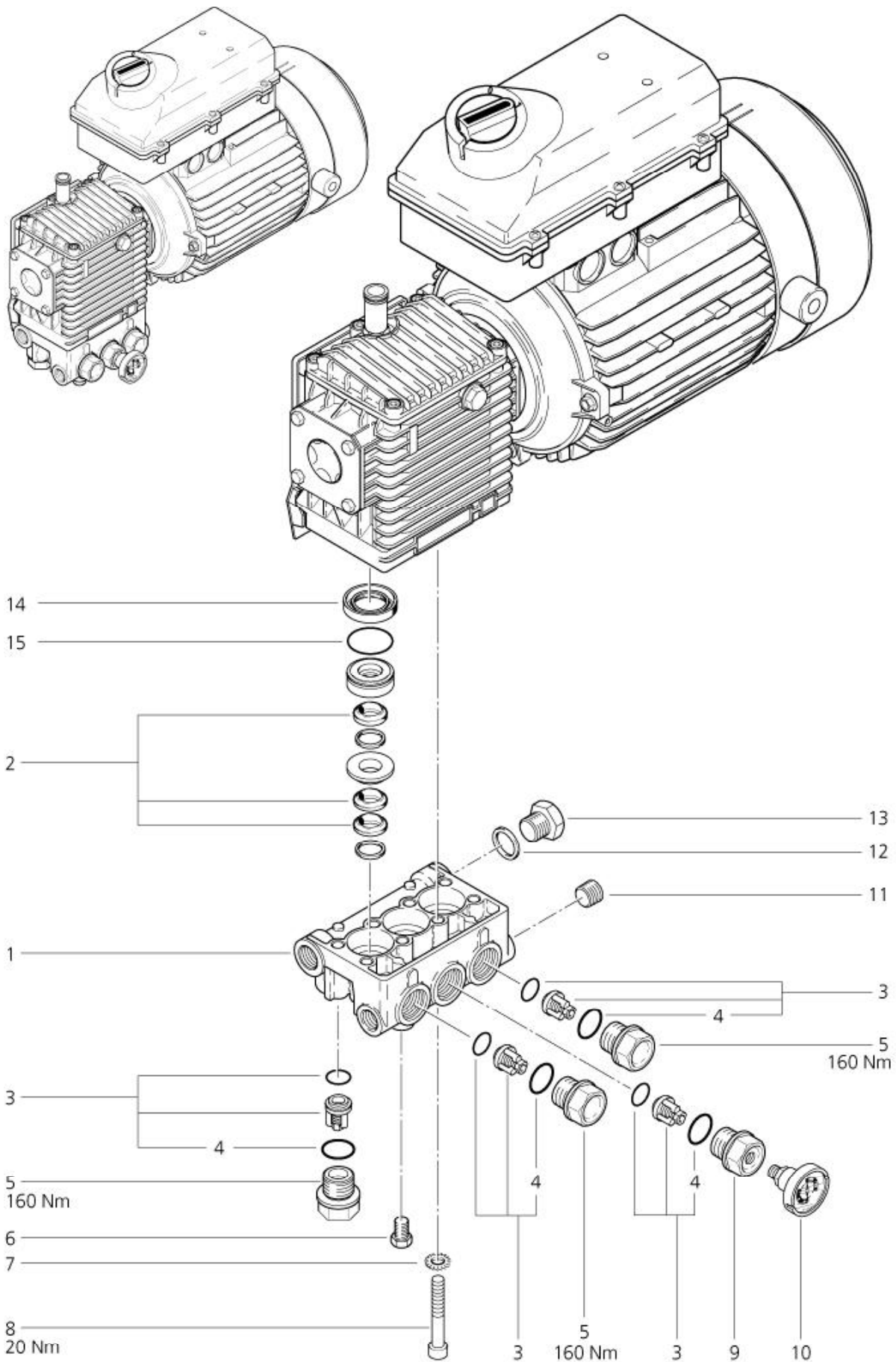
Valve block

2200W, 3300

15-04-2009

Part List ID
ALTO2200W06

7



Valve block

2200W, 3300

15-04-2009

Part List ID
ALTO2200W06

8

Pos	Part no.	Qty	Description	EAN
1	61074	1	CASING	4005337610
2	61079	1	GASKET SET FOR PISTON	4005337610
3	61077	1	VALVE KIT	4005337610
4	29582	1	O-RING 20,24X2,62 ARP	4005337295
			* SEE NOTE	
5	61078	1	SCREWED SEALING PLUG	4005337610
6	33047	1	PLUG G1/8	4005337330
7	2803	1	WASHER 8,2	4005337028
8	6013	1	SCREW M8 X 60 8.8 DIN	4005337060
9	61076	1	SCREWED SEALING PLUG	4005337610
10	301000246	1	MANOMETER 0-300 BAR	4005337671
11	40979	1	PLUG	4005337409
12	1407	1	PACKING RING 17X23 C760	4005337014
13	6868	1	SCREW PLUG G3/8	4005337068
14	40955	1	SHAFT SEAL RING A 20X 30	4005337409
15	40907	1	O-RING Ø 31,47X1,78	4005337409

* NOTE: POS. 4 - NUMBER 29582 NOT INCLUDED IN KIT. MUST BE ORDERED SEPERATELY

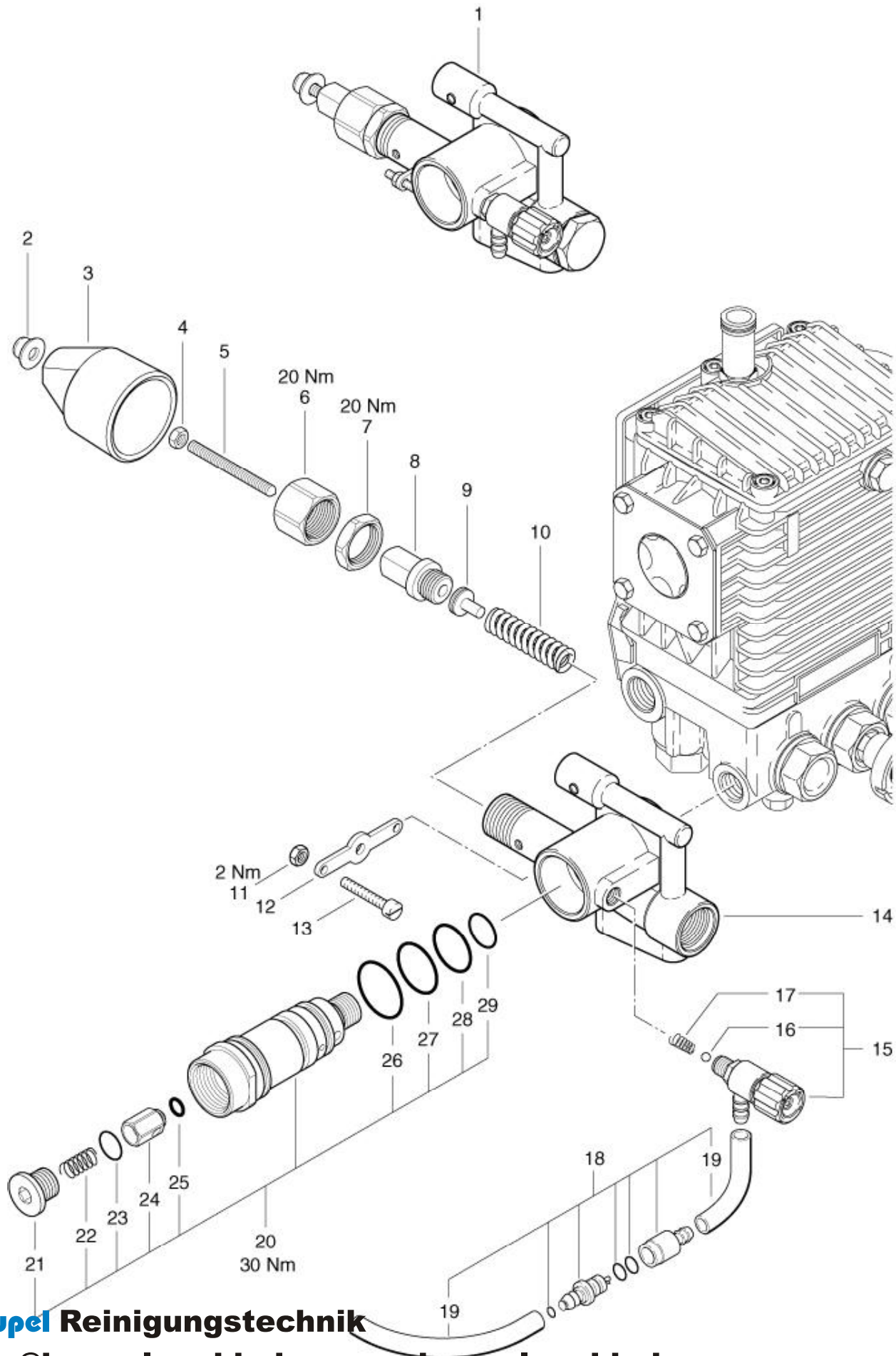
Unloader valve

2200W, 3300

15-04-2009

Part List ID
ALTO2200W08

9



Unloader valve

2200W, 3300

15-04-2009

Part List ID
ALTO2200W08

10

Pos	Part no.	Qty	Description	EAN
1	63801	1	REGULATOR BLOCK 250-1	4005337638
2	62397	1	ROTARY KNOB	4005337623
3	62397	1	ROTARY KNOB	4005337623
4	3136	1	HEXAGON NUT M6	4005337031
5	62711	1	SET SCREW M6X60	4005337627
6	62710	1	UNION NUT M24X1,5X21	4005337627
7	62696	1	HEXAGON NUT M24X1,5X6	4005337626
8	62712	1	HOLLOW SCREW M16X1X9	4005337627
9	62695	1	SPRING SUPPORT	4005337626
10	40972	1	SPRING 3,5X10,5X54	4005337409
11	2759	1	HEXAGON NUT M4	4005337027
12	62717	1	CONTACT STUD	4005337627
13	5076	1	SCREW M4X25	4005337050
14	64298	1	HOUSING FOR RS BLOCK 3300	4005337642
15	64312	1	METERING DEVICE	4005337643
16	9580	1	BALL Ø 5,5	4005337095
17	41132	1	SPRING 0.3X4.7	4005337411
18	61097	1	NON RETURN VALVE	4005337610
19	101406100	1	DN 6X3 - 5 METER	4005337163
20	64304	1	HOLLOW SCREW	4005337643
21	64309	1	PLUG M16X1	4005337643
22	14522	1	SPRING 0,7X9,7X14,5	4005337145
23	16998	1	O-RING	4005337169
24	6187135	1	PISTON	5701715290
25	9858	1	O-RING Ø 6X3	4005337098
26	64305	1	O-RING Ø 28,24X2,62	4005337643
27	64306	1	O-RING Ø 25,07X2,62	4005337643
28	64307	1	O-RING Ø 23,47X2,62	4005337643
29	16443	1	O-RING Ø 17X2	4005337164

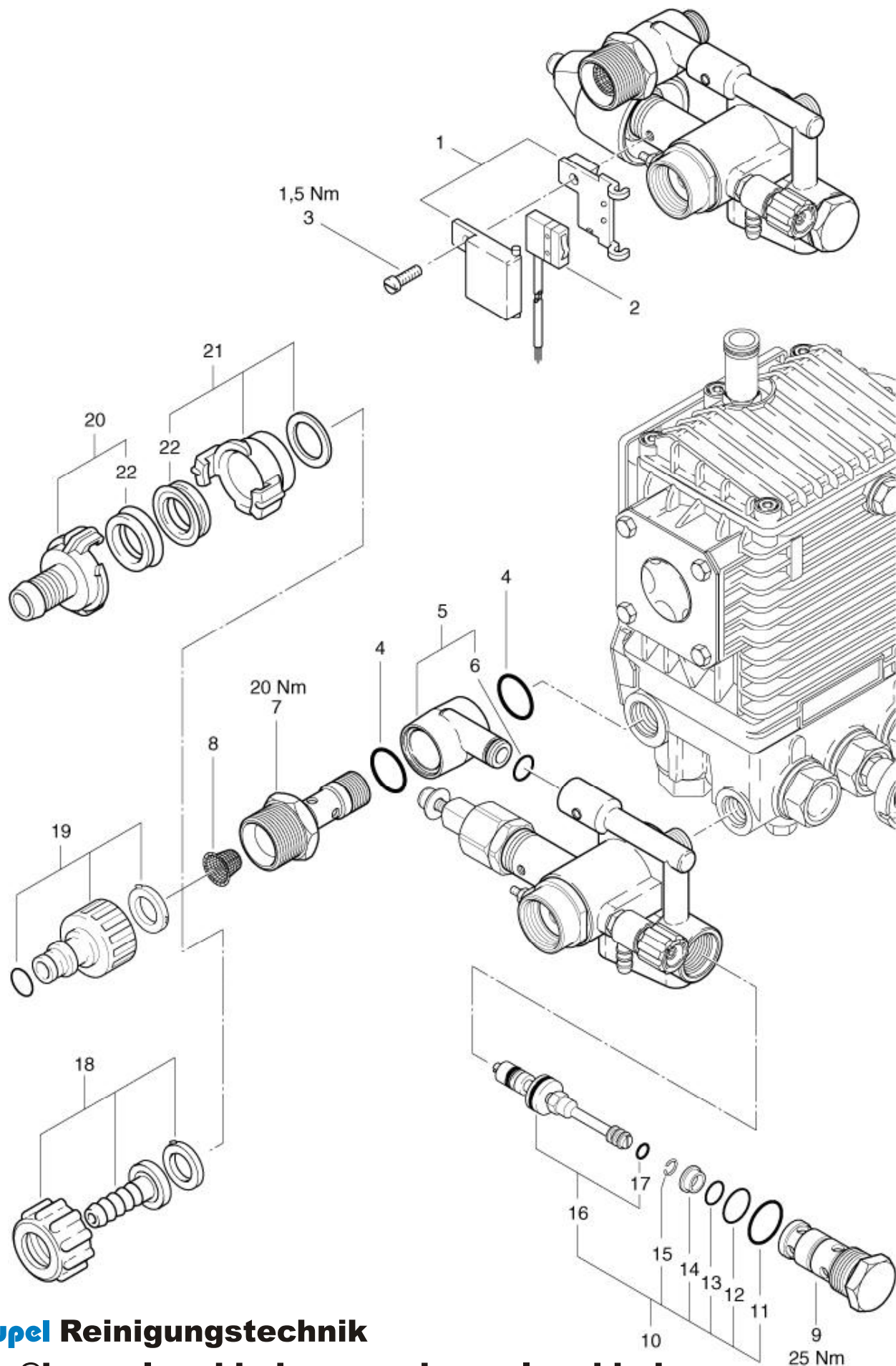
Water inlet

2200W, 3300

15-04-2009

Part List ID
ALTO2200W10

11



Water inlet

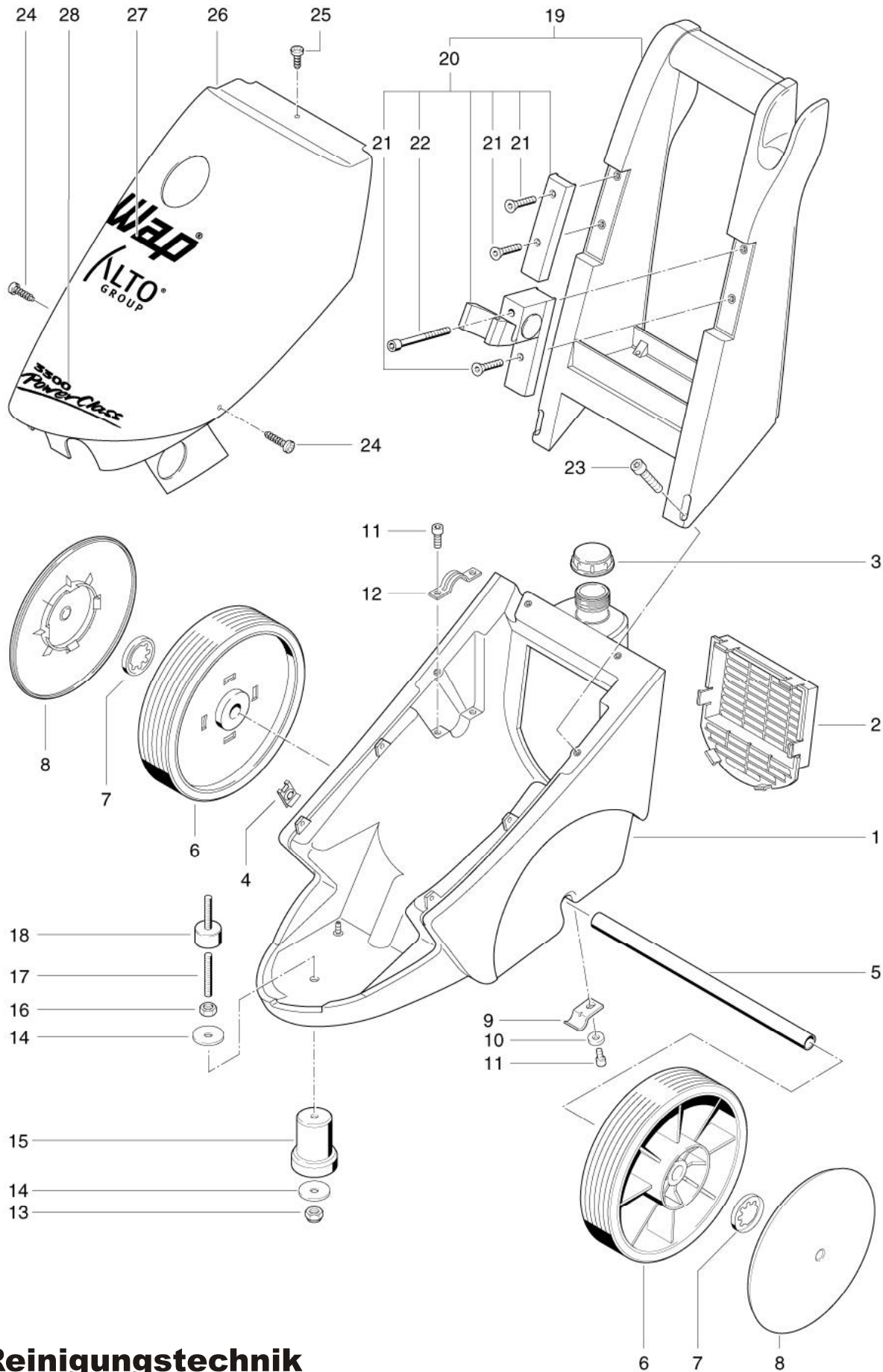
2200W, 3300

15-04-2009

Part List ID
ALTO2200W10

12

Pos	Part no.	Qty	Description	EAN
1	62401	1	HOUSING FOR MICRO SWITCH	4005337624
2	62546	1	SWITCH	4005337625
3	3349	1	640EW M5X16	4005337033
4	24347	1	O-RING	4005337243
5	63058	1	CONNECTION	4005337630
6	42768	1	O-RING Ø 11,2X1,8	4005337427
7	64302	1	HOLLOW SCREW G1/2-G3/4	4005337643
8	62600	1	FILTER	4005337626
9	64301	1	HOLLOW SCREW M24X1.5	4005337643
10	64314	1	REPAIR KIT	4005337643
11	32091	1	O-RING Ø 21X2	4005337320
12	9523	1	O-RING D17X1,5	4005337095
13	49461	1	O-RING Ø 11X1,5	4005337494
14	62708	1	VALVE SEAT Ø8,5/Ø11,4/Ø1	4005337627
15	9853	1	SAFETY RING D14X1 DIN 472	4005337098
16	64313	1	CONTROL PISTON	4005337643
17	64308	1	O-RING 4,7X2	4005337643
18	29945	1	WATER COUPLING SET	3300 KR 4005337299
19	32541	1	GARDENA MALE 3/4	4005337325
20	1311	1	GEKA COUPLING HOSE END 3/4	4005337013
21	1718	1	GEKA COUPLING INT THREAD 3/4	4005337017
22	6502	1	MOULDED GASKET GEKA COUPE	4005337065



Pos	Part no.	Qty	Description	EAN
1	63480	1	MAIN FRAME	4005337634
2	61086	1	GRILL	4005337610
3	61102	1	TANK COVER	4005337611
4	63946	4	SPRING NUT 4,8X3	4005337639
5	61103	1	SHAFT	4005337611
6	46351	2	WHEEL	4005337463
7	7022	2	CLAMPING RING	4005337070
8	66072	2	WHEEL CAP	4005337660
9	61104	2	SHACKLE	4005337611
10	2766	2	WASHER 6,4X1,6	4005337027
11	3913	4	SCREW M6X12	4005337039
12	61118	2	BRACKET	4005337611
13	6052	1	HEXAGON NUT M8	4005337060
14	2793	1	WASHER 8,4X2	4005337027
15	63467	1	FUSE	4005337634
16	2758	1	HEXAGON NUT M8	4005337027
17	8904	1	HEXAGON SOCKET SET SCREW	4005337089
18	63875	1	PUFFER 30X20 M8X15	4005337638
19	63468	1	BOW	4005337634
20	61116	1	TRAY SET	4005337611
21	24311	3	COUNTERSUNK SCREW M6X25	4005337243
22	13890	1	SCREW M6 X 65 8.8 DIN	4005337138
23	13600	4	SCREW M6X25	4005337136
24	9221	2	SHEET METAL SCREW 4,8X19	4005337092
25	9781	1	SCREW BL- 3,5X9,5 C-H D	4005337097
26	66153	1	COVER WAP 2200-3300 BLUE	4005337661
27	6100217	1	LOGO WAP KEW TECHNO.	5701715270
28	66151	1	LABEL 2200W POWERCLASS	4005337661
28	66152	1	LABEL	4005337661