

# NEPTUNE 2

Model:

NEPTUNE 2-13  
NEPTUNE 2-20  
NEPTUNE 2-25  
NEPTUNE 2-26  
NEPTUNE 2-30  
NEPTUNE 2-33  
NEPTUNE 2-38  
NEPTUNE 2-41

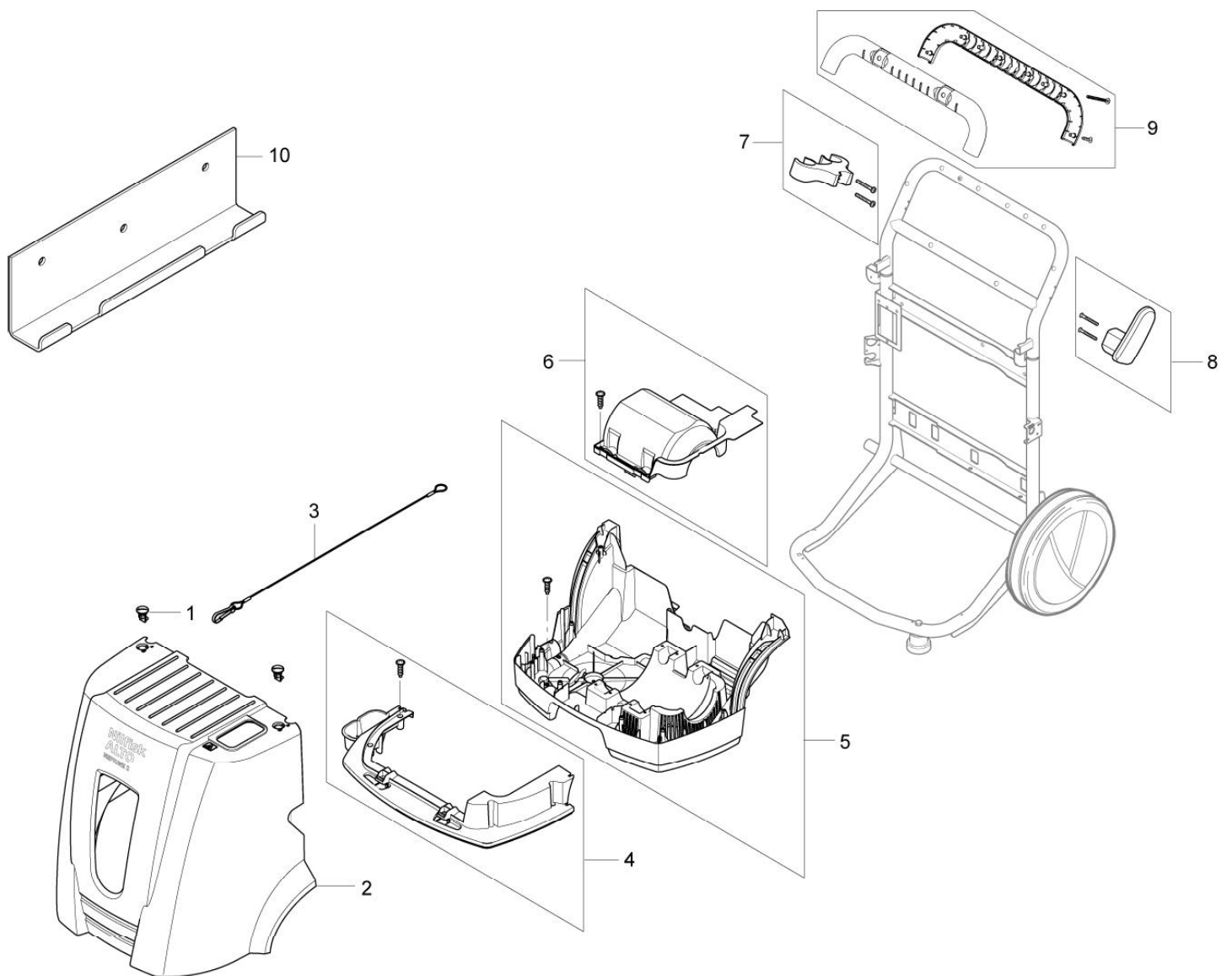


Part List US-English

05-08-2009

**Nilfisk**  
**ALTO**  
*Why Compromise*

<b>Cabinet</b>	<b>3</b>
<b>Frame</b>	<b>5</b>
<b>Fuel tank and detergent tank</b>	<b>7</b>
<b>Water break tank</b>	<b>9</b>
<b>Motor</b>	<b>11</b>
<b>Pump 1 (1ph)</b>	<b>13</b>
<b>Pump 2 (3ph)</b>	<b>16</b>
<b>EI-box</b>	<b>19</b>
<b>Burner unit</b>	<b>21</b>
<b>Distributor, Flow switch</b>	<b>23</b>
<b>Heat exchanger</b>	<b>25</b>
<b>Heat exchanger assy., ignition transformer</b>	<b>27</b>
<b>Hose reel</b>	<b>29</b>
<b>Default accessories</b>	<b>31</b>
<b>Anti scale</b>	<b>33</b>
<b>Sandfilter NEPTUNE 2</b>	<b>35</b>
<b>Recommended Spare Parts</b>	<b>37</b>



# Cabinet

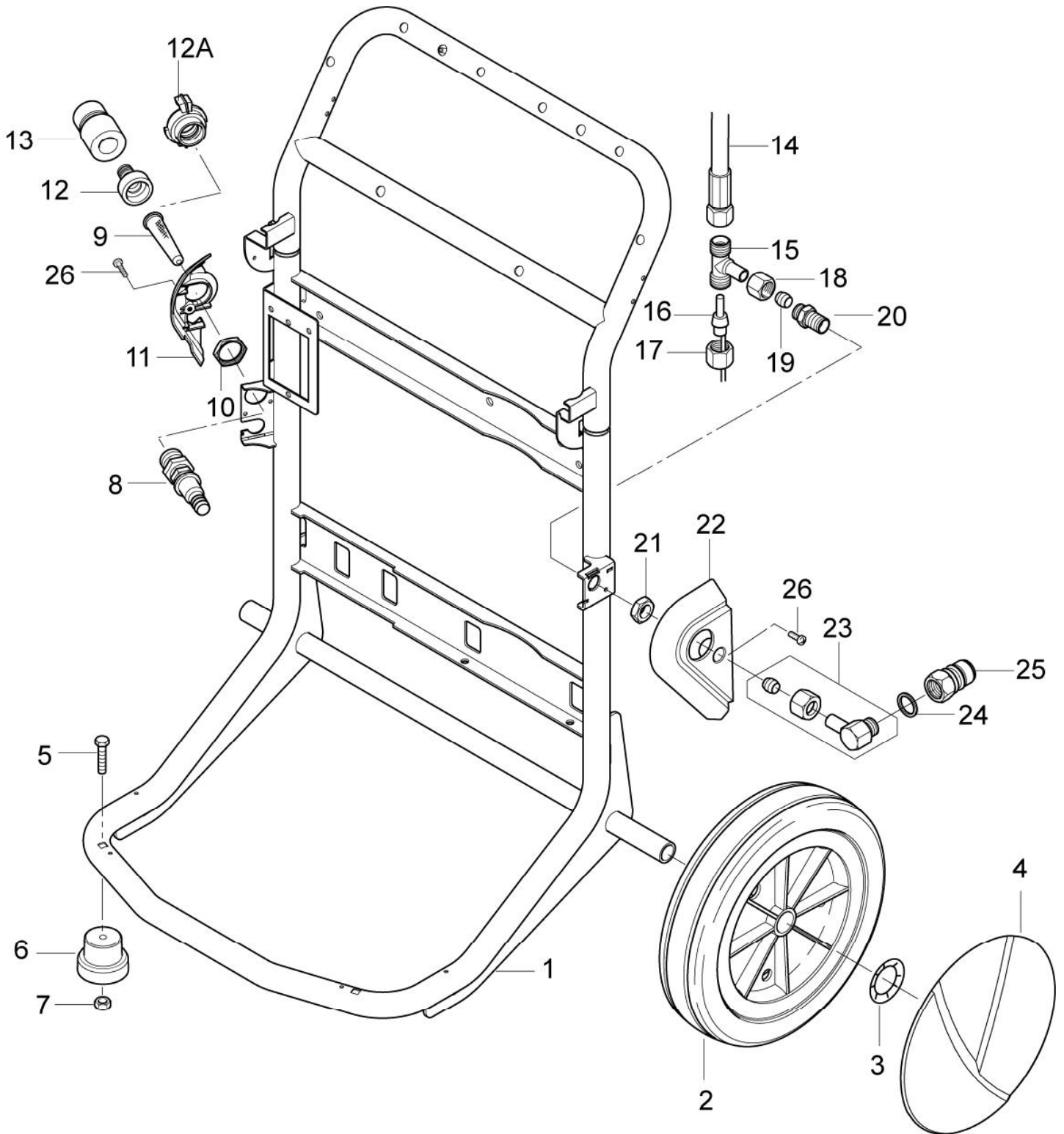
## NEPTUNE 2

05-08-2009

Part List ID  
NEPTUNE204

4

Pos	Part no.	Qty	Description	EAN
1	301001261	2	LOCKING BOLT Ø29X35	4005337042
2	101117713	1	NEPTUNE 2 COVER WITH PRINTING	4005337157
3	101117711	1	WIRE FOR COVER	4005337165
4	101117672	1	FRONT BUFFER TOP KIT.	4005337152
5	101117667	1	BUMPER BUTTOM KIT	4005337158
6	101117668	1	MOTOR COVER	4005337152
7	101117666	1	TOP LANCE HOLDER KIT	4005337152
8	101117682	1	HOOK FOR HOSE COMP	4005337152
9	101117665	1	HANDLE KIT - NEPTUNE 2	4005337152
10	107145347	1	WALL MOUNTING BRACKET KIT	accessory 4005337154



# Frame

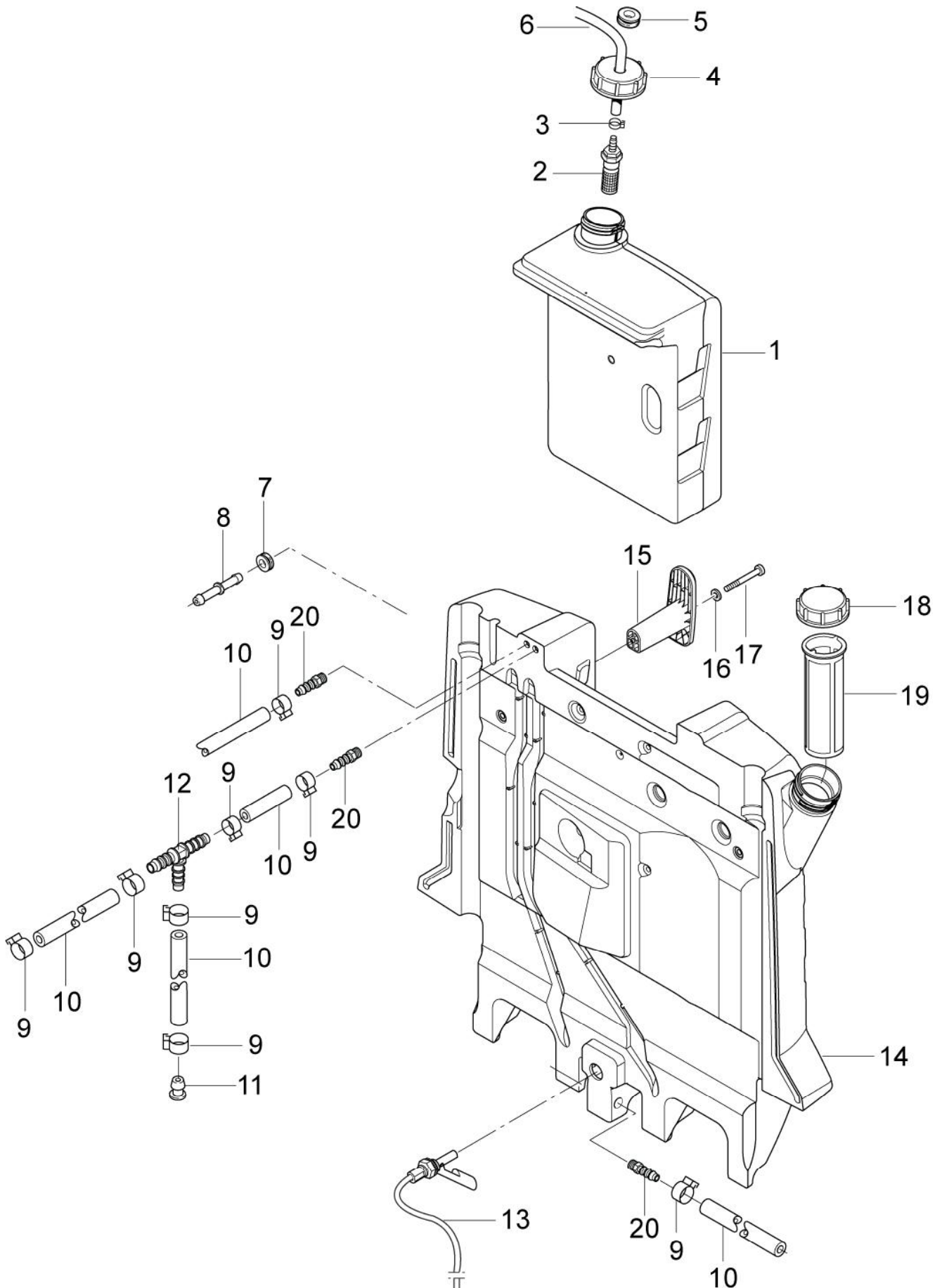
## NEPTUNE 2

05-08-2009

Part List ID  
NEPTUNE202

6

Pos	Part no.	Qty	Description	EAN
1	101117742	1	FRAME CPL. NEPTUNE2	4005337155
2	6184074	2	WHEEL Ø300	5701715078
3	46363	2	CLAMPING RING Ø25	4005337463
4	301001077	2	WHEEL CAP Ø234	4005337031
5	101117745	2	M8 X 45 ISO 7380 FZB603	4005337155
6	101117743	2	SUSTAINER	4005337155
7	61467	2	HEXAGON NUT M8	4005337614
8	6100937	1	FILTER HOUSING	5701715063
9	6100941	1	FILTER	5701715000
10	1800341	1	LOCK NUT 3/4IN	5701715026
11	101117679	1	COVER FOR INLET COMP	4005337158
12	32541	1	GARDENA MALE 3/4	4005337325
13	1602945	1	QUICK COUPLING 3/4IN W/GASKET	5701715024
14	101117740	1	HP HOSE 295MM	4005337155
15	4102	1	SCREWING	4005337041
16	101117741	1	TEMP SENSOR WITH CABLE	4005337155
17	1081	1	UNION NUT L 12	4005337010
18	1081	1	UNION NUT L 12	4005337010
19	1080	1	RING L 12	4005337010
20	101117744	1	FITTING FOR OUTLET	4005337155
21	1803220	1	LOCK NUT M18X1.5	5701715028
22	101117680	1	COVER FOR OUTLET COMP	4005337152
23	101117681	1	ANGLE FITTING COMP	4005337152
24	1801075	1	PACKING RING Ø 23,8X Ø 17,2	5701715027
25	1600493	1	NIPPLE F. Q-COUP. 3/8IN HP	5701715023
26	1813575	2	SCREW M5X12	5701715031
12a	1718	1	GEKA COUPLING INT THREAD 3/4	4005337017



# Fuel tank and detergent tank

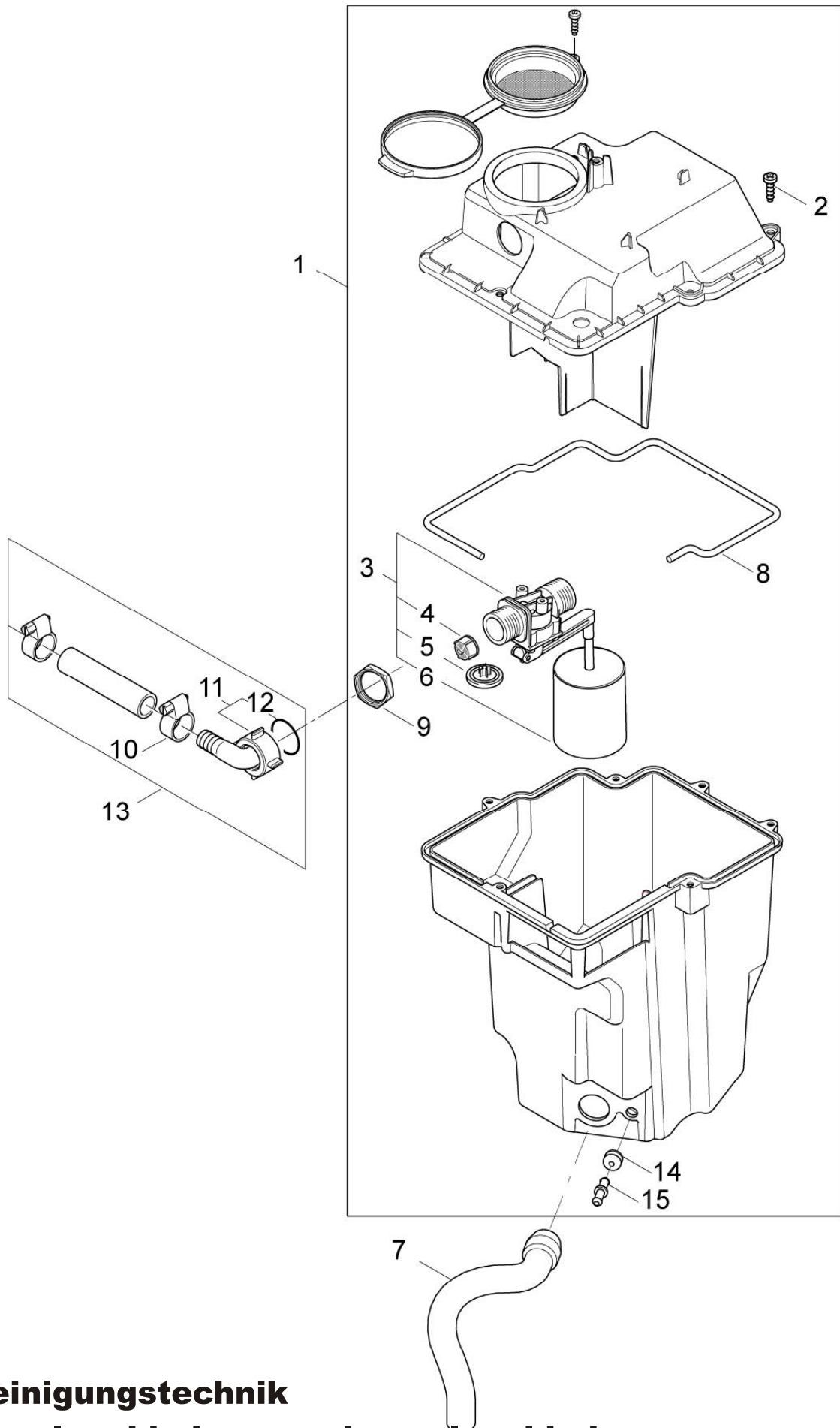
NEPTUNE 2

05-08-2009

Part List ID  
NEPTUNE206

8

Pos	Part no.	Qty	Description	up to	From	EAN
1	101117750	1	DETERGENT HOSEW/CAP AND FILTER			4005337165
2	17508	1	STRAINER VALVE 6			5701715306
3	301001133	1	HOSE CLAMP 10/7			4005337033
4	80493	1	COVER-CAN 65X22			4005337804
5	101117749	1	CABLE GROMMET			4005337155
6	5206636	1	HOSE 6/10			5701715046
7	101117753	2	GROMMET 60/110/50 NEOPREN	up to 12.08		4005337165
8	101117748	2	PLUG FOR D6 / D10 HOSE	up to 12.08		4005337165
9	301001133	9	HOSE CLAMP 10/7			4005337033
10	5226220	1	HOSE D6X2,5			5701715208
11	101117751	1	VENTILATIONS PLUG FOR 6/10 HOSE			4005337155
12	101117794	1	T CONNECTOR PIECE D6			4005337162
12	2399	1	HOSE LINER			4005337023
13	101117746	1	LOW FUEL CUT OUT SWITCH			4005337155
14	101117747	1	FUEL TANK			4005337155
15	101117678	2	CABLE HOOK COMP			4005337152
16	1800440	2	WASHER (1101320,1103440)			5701715026
17	31410	2	HEXAGON SOCKET HEAD CAP S			4005337314
18	101117752	1	CAP FOR FUEL TANK			4005337155
19	1604222	1	STRAINER			5701715025
20	101117795	1	HOSE FITTING FOR FUEL TANK	From 12.08		4005337162



# Water break tank

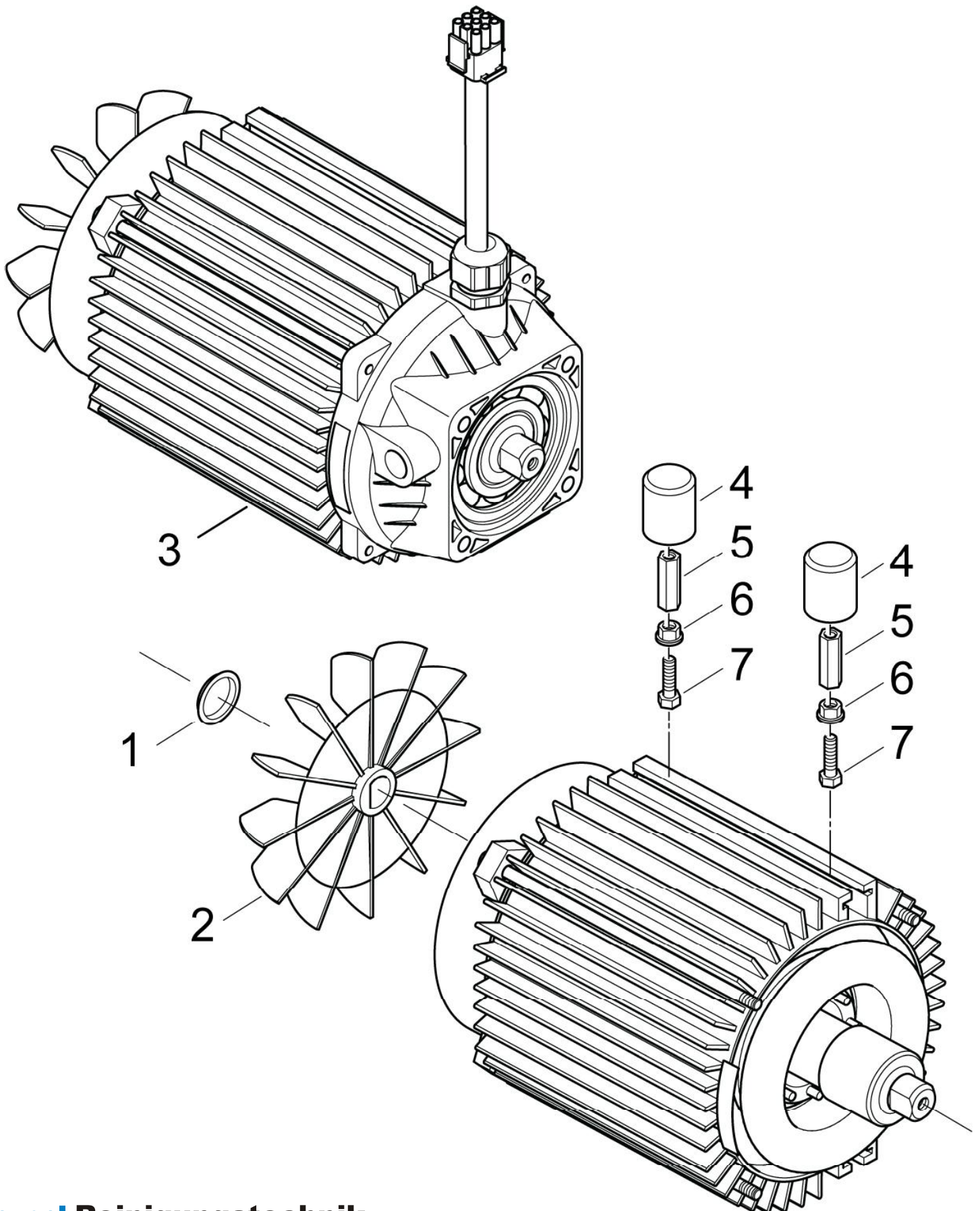
NEPTUNE 2

05-08-2009

Part List ID  
NEPTUNE208

10

Pos	Part no.	Qty	Description	EAN
1	101117669	1	WATER BREAK TANK COMP.	4005337152
2	101814782	6	SCREW PT KB50X18	4005337170
3	101117784	1	FLOAT VALVE	4005337155
4	34218	1	FILTER FOR FLOAT VALVE KU	4005337342
5	62878	1	MEMBRANE	4005337628
6	62877	1	SWIMMER Ø 55X60	4005337628
7	101117670	1	SUCTION HOSE KIT.	4005337158
8	101117796	1	SILICONE GASKET D3X1	4005337159
9	101117785	1	LOCK NUT 3/4	4005337155
10	8298	2	HOSE CLIP 16-27	4005337082
11	5613	1	HOSE NOZZLE	4005337056
12	15587	1	PACKING RING 14X24X2	4005337155
13	101117671	1	INLET HOSE KIT	4005337158
14	101117781	1	CABLE GROMMET 60/90/40	4005337157
15	101117748	1	PLUG FOR D6 / D10 HOSE	4005337165



# Motor

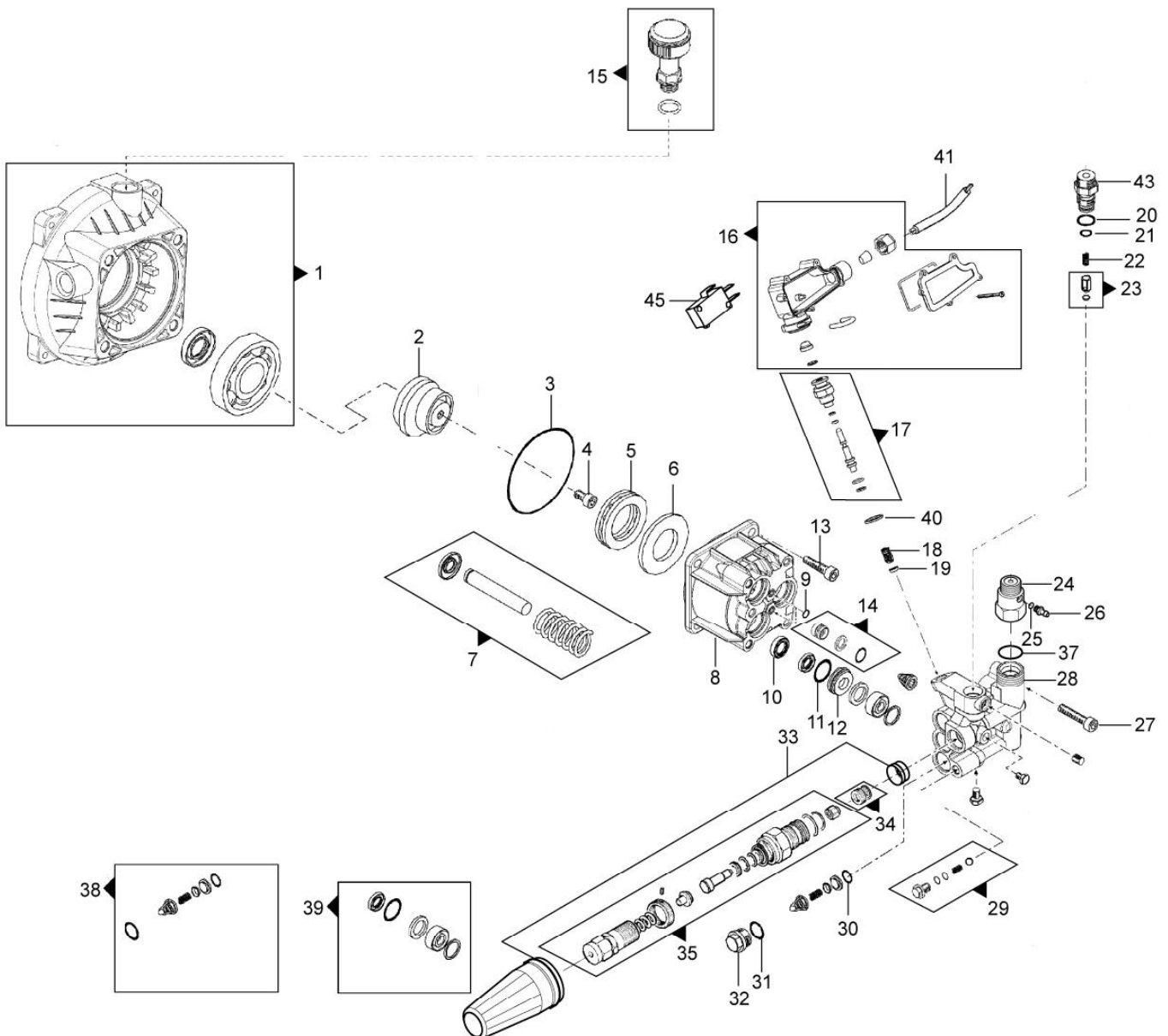
## NEPTUNE 2

05-08-2009

Part List ID  
NEPTUNE210

12

Pos	Part no.	Qty	Description		EAN
1	301001112	1	FASTENING RING		4005337032
2	101117774	1	MOTOR FAN		
3	101117764	1	MOTOR 3 KW 3X230-400/50	2-33	4005337165
3	101117765	1	MOTOR 4 KW 3X230-400/50	2-41	4005337155
3	101117766	1	MOTOR 2 KW 1X230/50	2-25,2-26	4005337164
4	301002298	2	SUSPENSION		4005337089
5	301002303	2	SPACER POSEIDON 3		4005337089
6	61467	2	HEXAGON NUT M8		4005337614
7	27372	2	SCREW M8X20		4005337273



# Pump 1 (1ph)

## NEPTUNE 2

05-08-2009

Part List ID  
NEPTUNE212

14

Pos	Part no.	Qty	Description		EAN
-	909100414	1	PUMP OIL ROTHA THT 1LTR	0,18 l	4005337103
1	101117788	1	D-BARING COVER FOR AXR PUMP		
2	101117771	1	WOBBLE DISC 11.25 DEG. Z	2-25	
2	301002568	1	WOBBLE DISC 9,5	2-26	4005337106
3	909100431	1	O-RING Ø85X3		4005337106
4	106162887	1	SCREW M8X22 UNI 5931-8,8		5701715423
5	909100432	1	ROLLER BEARING 51109		4005337106
6	301002557	1	PAD		4005337106
7	101117807	3	PISTON KIT FOR GXR CERAMIC		
8	301002560	1	PUMP HOUSING		4005337106
9	6480272	2	O-RING		5701715226
10	301002569	3	OIL SEAL		4005337107
11	106163024	3	O-RING 1,78X20,35		5701715423
12	301002570	3	PACKING RING Ø14/28X11,5		4005337107
13	106162887	4	SCREW M8X22 UNI 5931-8,8		5701715423
14	106162567	3	SUCTION VALVE PLUG KIT		5701715419
15	101117786	1	OIL CAP KIT		
16	101117691	1	START/STOP BOX KIT		
17	106163050	1	TOTAL STOP ROD KIT		5701715471
18	909100429	1	SPRING Ø8X10		4005337106
19	909100430	1	WASHER		4005337106
20	3002029	1	O-RING 12.42X1.78 NITRIL 70 SH		5701715038
21	103004325	1	O-RING 15.6X1.78		5701715332
22	909100428	1	SPRING Ø 8X10		4005337106
23	106162556	1	CHECK VALVE KIT		5701715419
24	101117769	1	DETERGENT INLET FOR GXD		4005337155
25	101117776	1	O-RING 6.35X1.78 NBR 70		4005337155
26	101117778	1	SUCTION FITTING FOR AXR		4005337155
27	9543	4	SCREW M8 X 55 8.8 DIN		4005337095
28	301002545	1	VALVE BLOCK		4005337106
29	301003095	1	KIT EASY START FOR GXR PUMP FOR UK		4005337123
30	3002029	6	O-RING 12.42X1.78 NITRIL 70 SH		5701715038
31	3002045	6	O-RING 17.17X1.78 NITRIL		5701715038
32	301002544	6	PLUG		4005337106
33	101117693	1	HANDLE CPL.		
34	101117686	1	VALVE SEAT KIT		
35	101117685	1	REGULATION VALVE ASSY		
37	3001237	1	GASKET Ø24.5XØ16X3		5701715037
38	301002562	1	KIT VALVE (6X)		4005337106
39	301002561	1	KIT THRUST COLLAR		4005337106
40	106163051	1	COPPER WASHER		5701715471
41	101117772	1	CABLE FOR PRESSURE SWITCH		

# Pump 1 (1ph)

## NEPTUNE 2

05-08-2009

Part List ID  
NEPTUNE212

15

Pos	Part no.	Qty	Description	EAN
43	101117687	1	INJECTOR BODY	
45	301002325	1	SWITCH END- 250V/16AAC NO	4005337099

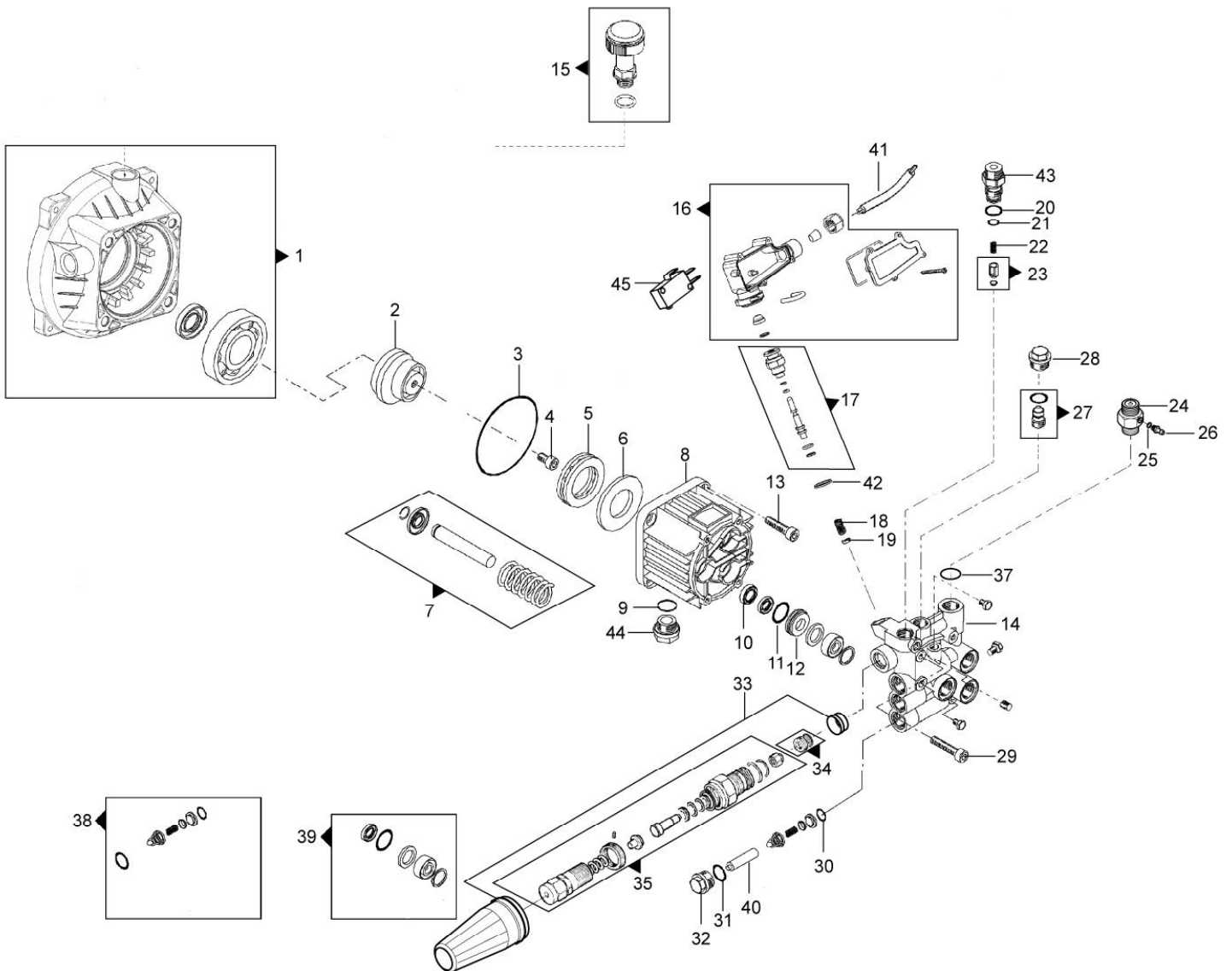
# Pump 2 (3ph)

## NEPTUNE 2

05-08-2009

Part List ID  
NEPTUNE214

16



# Pump 2 (3ph)

NEPTUNE 2

05-08-2009

Part List ID  
NEPTUNE214

17

Pos	Part no.	Qty	Description		EAN
-	909100414	1	PUMP OIL ROTH A THT 1LTR	0,18 l	4005337103
1	101117789	1	D-BARING COVER FOR GXR PUMP		
2	101117782	1	WOBBLE DISC 11.50 DEG. V	2-41	
2	301002568	1	WOBBLE DISC 9,5	2-33	4005337106
3	909100435	1	O-RING Ø92X3		4005337107
4	106162887	1	SCREW M8X22 UNI 5931-8,8		5701715423
5	909100432	1	ROLLER BEARING 51109		4005337106
6	301002557	1	PAD		4005337106
7	101117808	3	PISTON KIT FOR AXR CERAMIC		
8	301002584	1	PUMP HOUSING		4005337107
9	3000825	2	O-RING 20.24X2.62 NITRIL 70SH		5701715037
10	301002569	3	OIL SEAL		4005337107
11	106163031	3	O-RING 1,78X10,85		5701715423
12	301002586	3	PACKING RING Ø 14/28X11,5		4005337107
13	106162887	4	SCREW M8X22 UNI 5931-8,8		5701715423
14	301002575	1	VALVE BLOCK		4005337107
15	101117786	1	OIL CAP KIT		
16	101117691	1	START/STOP BOX KIT		
17	106163050	1	TOTAL STOP ROD KIT		5701715471
18	909100429	1	SPRING Ø8X10		4005337106
19	909100430	1	WASHER		4005337106
20	3002029	1	O-RING 12.42X1.78 NITRIL 70 SH		5701715038
21	103004325	1	O-RING 15.6X1.78		5701715332
22	909100428	1	SPRING Ø 8X10		4005337106
23	106162556	1	CHECK VALVE KIT		5701715419
25	101117776	1	O-RING 6.35X1.78 NBR 70		4005337155
26	101117778	1	SUCTION FITTING FOR AXR		4005337155
27	301002578	4	PLUG		4005337107
28	301002577	1	PLUG		4005337107
29	1801455	4	BOLT		5701715419
30	3002029	6	O-RING 12.42X1.78 NITRIL 70 SH		5701715038
31	3002045	6	O-RING 17.17X1.78 NITRIL		5701715038
32	301002544	6	PLUG		4005337106
33	101117693	1	HANDLE CPL.		
34	101117686	1	VALVE SEAT KIT		
35	101117685	1	REGULATION VALVE ASSY		
37	106163051	1	COPPER WASHER		5701715471
38	301002562	1	KIT VALVE (6X)		4005337106
39	301002561	1	KIT THRUST COLLAR		4005337106
40	301002574	1	SPACER SLEEVE Ø 5		4005337107
41	101117772	1	CABLE FOR PRESSURE SWITCH		
42	106163051	1	COPPER WASHER		5701715471

# Pump 2 (3ph)

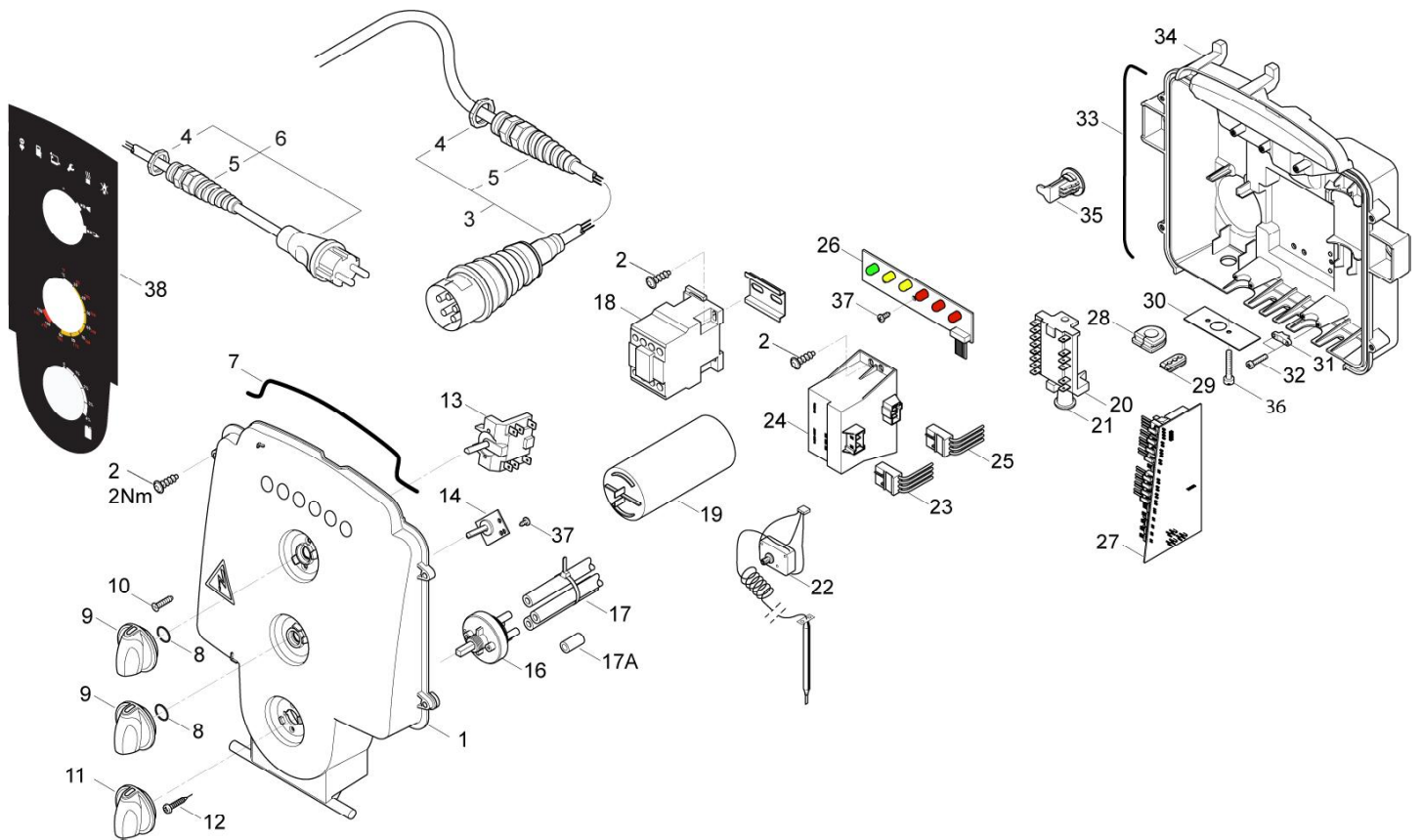
## NEPTUNE 2

05-08-2009

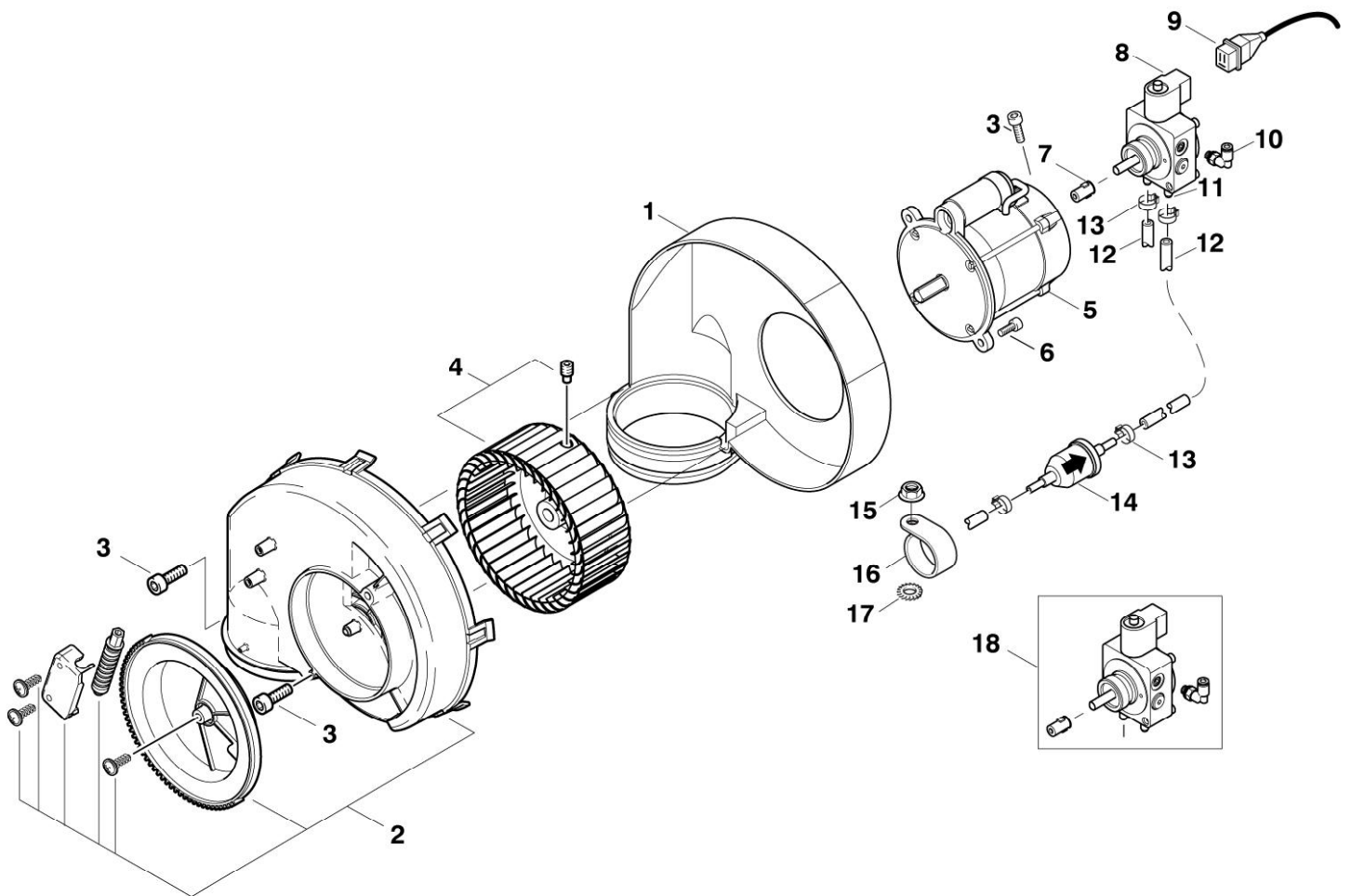
Part List ID  
NEPTUNE214

18

Pos	Part no.	Qty	Description	EAN
43	101117687	1	INJECTOR BODY	
44	301002585	1	PLUG 1/2	4005337107
45	301002325	1	SWITCH END- 250V/16AAC NO	4005337099



Pos	Part no.	Qty	Description		EAN
1	101117734	1	ELECTRIC BOX LID		4005337155
2	101814782	2	SCREW PT KB50X18		4005337170
3	101117810	1	POWER C.H07RN 4G1.5 CEE5 GDN 6.3X0.8 KIT	2-33, 2-41	4005337160
3	101117811	1	POWER C.H07RN 4G1.5 GDN 6.3X0.8 KIT	2-33 NO	4005337161
4	909100019	1	HEXAGON THIN NUT M20X1.5 EN 50262 PA		4005337016
5	909100043	1	CABLE SCREWING W. ANTIBUC. M20X1.5		4005337679
6	101117809	1	POWER C.H07RN 3G1.5 CEE7 GDN 6.3X0.8 KIT	2-26	4005337160
6	101117812	1	POWER C.H07RN 3G1.5 BS13 GDN 6.3X0.8 KIT	2-25 GB	4005337161
7	101117738	1	FOAM LIST FOR E-BOX		4005337155
8	9868	2	O RING DIA 10X2,5		4005337098
9	909100204	1	ROTARY KNOB 6X5 BLUE		4005337689
10	18274	2	COUNTERSUNK SCREW M4X12		4005337182
11	909100214	1	ROTARY KNOB GR.1 4KT. 6X6+8X8 BLUE		4005337026
12	1814730	2	SCREW 30X10B		5701715363
13	28877	1	SWITCH		4005337288
14	101117730	1	PCB FOR POTENTIOMETER		4005337155
15	101117729	1	CABLE BETWEEN MAIN PCB AND POTI		4005337155
16	301001000	1	VALVE 51X70		4005337028
17	5206636	1	HOSE 6/10		5701715046
18	301001228	1	CONTACT 100-K12KJ3M 24		4005337038
18	63903	1	CONTACT 100-C16KJ10 24		4005337639
19	301002320	1	CAPACITOR		4005337099
20	301000293	1	SWITCH START/TRIANGLE 16		4005337672
21	64580	1	ROTARY KNOB		4005337645
22	101117723	1	EXH LIMIT SWITCH		4005337160
23	101117728	1	CABLE F. POWER TRANSF. PRIMARY 400VNO/US		4005337155
24	101117724	1	POWER TRANSFORMER 230/400-24/8V T70		4005337154
25	101117727	1	CABLE FOR POWER TRANSFORMER		4005337154
26	101117731	1	PCB FOR LCD		4005337160
27	101117732	1	MAIN PCB		4005337155
28	301002746	2	GROMMET CONNECTION HOSE		4005337115
29	101117735	4	CABLE GROMMET 3 HOLES		4005337155
30	101117736	1	LABEL FOR SWITCH 230 400 V		4005337155
30	101117737	1	LABEL FOR SWITCH 220 440 V		4005337155
31	3806262	1	STRAIN RELIEF BRACKET 27.		5701715042
32	909100046	2	SCREW 4X8		4005337679
33	101406054	2	SPONGE RUBBER Ø4 1M		5701715457
34	101117733	1	ELECTRIC BOX		4005337155
35	301001261	2	LOCKING BOLT Ø29X35		4005337042
36	101117739	2	PAN HEAD SCREW		4005337156
37	2759	2	HEXAGON NUT M4		4005337027
17A	301001906	1	CLOSING CAP Ø12X21.5		4005337068



# Burner unit

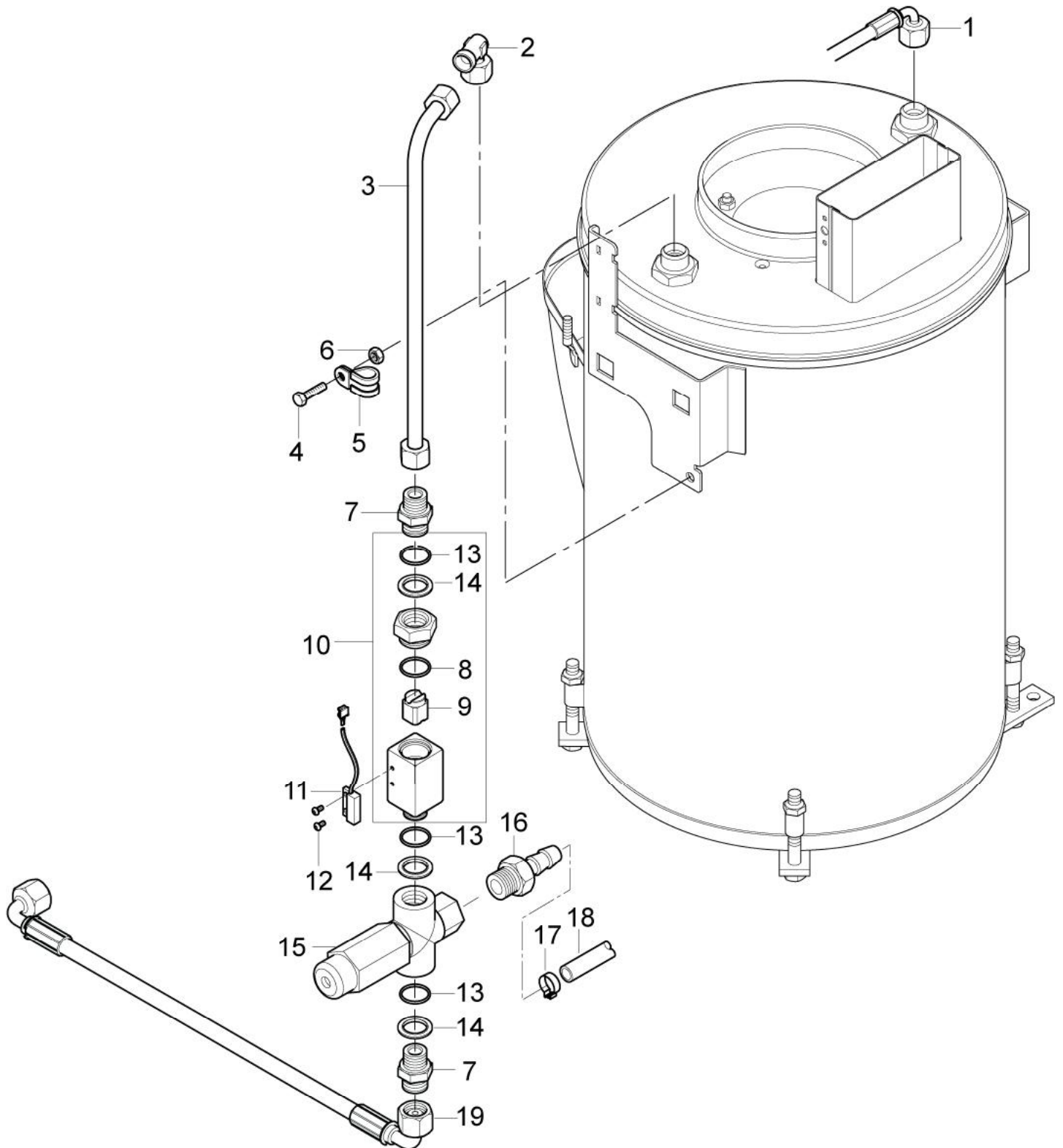
## NEPTUNE 2

05-08-2009

Part List ID  
NEPTUNE220

22

Pos	Part no.	Qty	Description	EAN
1	101117704	1	FAN HOUSING N2	4005337165
2	301000852	1	COVER FOR FAN HOUSING	4005337022
3	32535	3	SCREW M5X16	4005337325
4	301000889	1	FAN WHEEL Ø160X60	4005337023
5	101117708	1	BURNER MOTOR 250W - 110V	4005337154
5	101117709	1	BURNER MOTOR 390W - 200V	4005337154
5	101117710	1	BURNER MOTOR 300W - 230V	4005337154
6	4697	2	SCREW M6X16	4005337046
7	101117707	1	COUPLING FOR OIL PUMP BFA 01 L3L	4005337154
8	101117775	1	COIL FOR OIL PUMP BFA 01 L3L	
9	101117703	1	CABLE FOR OIL SOLENOIDE	4005337154
10	101117706	1	PUSH-IN ANGLE FITTING	4005337165
11	101117777	1	HOSE CONNECTIONS FOR OIL PUMP BFA 01 L3	
12	5226220	1	HOSE D6X2,5	5701715208
13	11654	2	HOSE CLAMP DIA 11,5	4005337116
14	301002926	1	INLINE FILTER 101X36.5X6 KU	4005337122
15	12496	1	HEXAGON NUT M6	4005337172
16	101117705	1	HOLDER FOR FUEL FILTER	4005337154
17	7062	1	SERRATED LOCK WASHER 6,4	4005337070
18	101117673	1	OIL PUMP INCL. FITTINGS	4005337152



# Distributor, Flow switch

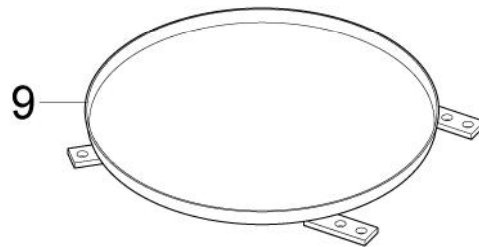
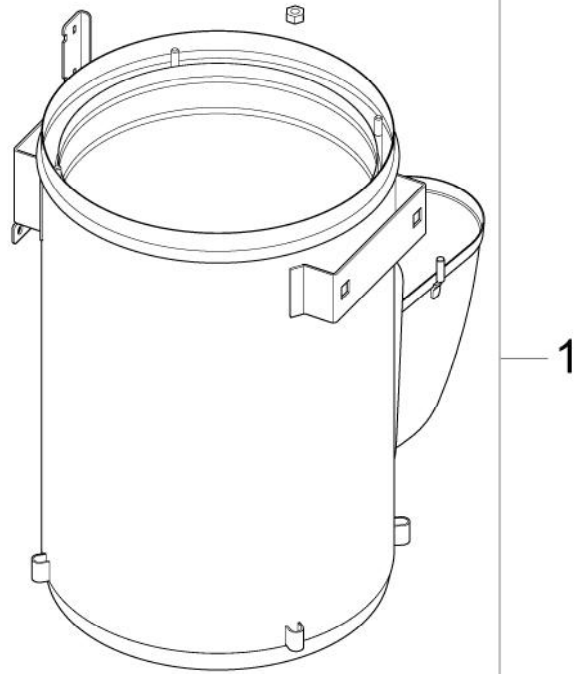
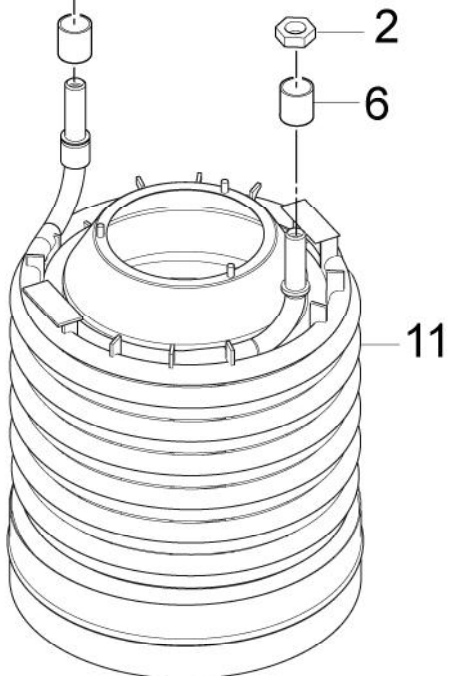
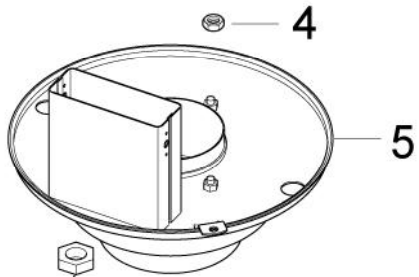
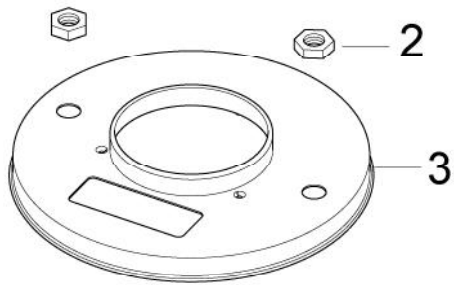
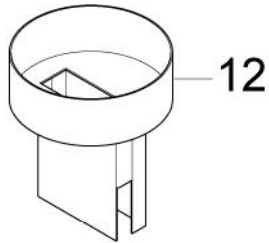
NEPTUNE 2

05-08-2009

Part List ID  
NEPTUNE222

24

Pos	Part no.	Qty	Description	EAN
1	101117740	1	HP HOSE 295MM	4005337155
2	101117677	1	ANGLE FOR BOILER COMP	4005337152
3	101117676	1	STEEL PIPE COMP.	4005337165
4	4697	1	SCREW M6X16	4005337046
5	101117718	1	CLAMP FOR PIPE	4005337154
6	11619	1	HEXAGON NUT M6	4005337116
7	1601079	2	THREADED CONNECTION	5701715024
8	G120381	1	O-RING. 18.00X2.00 N70	5701715431
9	101117716	1	MAGNET HOUSING CPL.	4005337165
10	101117675	1	FLOW SWITCH COMP.	4005337158
11	101117719	1	REED SWITCH FOR FLOW SWITCH	4005337154
12	101117717	2	SCREW TORX M3X6 ELECTRO PLATED DIN 7985	4005337154
13	16998	3	O-RING	4005337169
14	1801075	3	PACKING RING Ø 23,8X Ø 17,2	5701715027
15	101117720	1	SAFETY VALVE ADJUSTED TO 146 BAR	4005337154
15	101117721	1	SAFETY VALVE ADJUSTED TO 234 +/-5 BAR	4005337154
15	101117722	1	SAFETY VALVE ADJUSTED TO 250 +/-5 BAR	4005337154
16	2580	1	HOSE LINER Ø 6 G3/8	4005337025
17	11654	1	HOSE CLAMP DIA 11,5	4005337116
18	5206054	1	HOSE EXT 12X3.0 BLUE	4005337171
19	101117715	1	HP HOSE 428MM	4005337154



# Heat exchanger

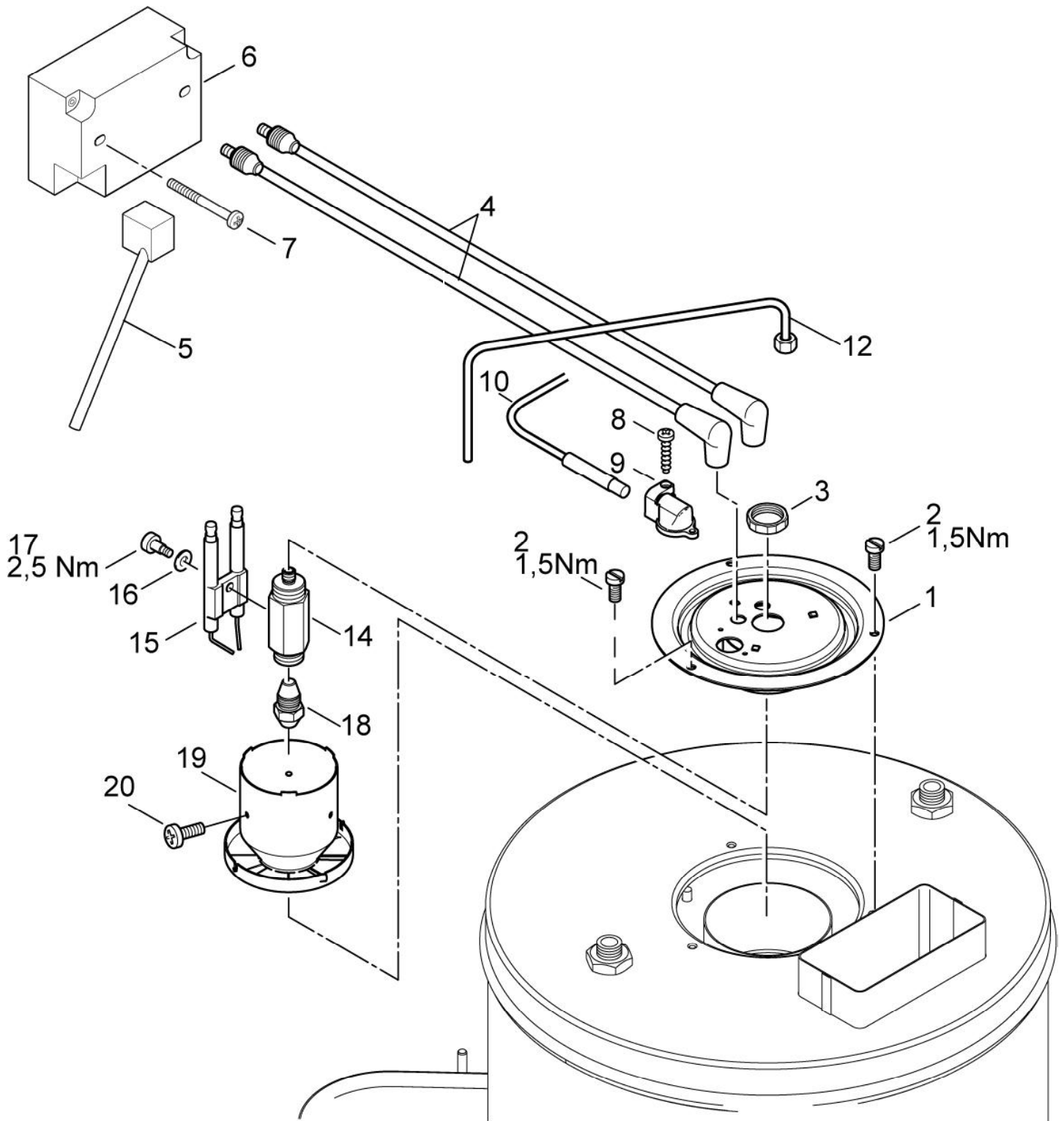
## NEPTUNE 2

05-08-2009

Part List ID  
NEPTUNE224

26

Pos	Part no.	Qty	Description	Accessories	EAN
1	101117754	1	BOILER N2		4005337156
1	101117783	1	NEPTUNE 2 BOILER W. STAINLESS STEEL COIL	accessory	5715492040
2	7012	4	HEXAGON NUT M18X1,5		4005337070
3	101117768	1	BOILER COVER OUTER		
4	12263	4	HEXAGON NUT M6		4005337031
5	101117767	1	BOILER COVER INNER		
6	301000582	2	BUSHING Ø22X1.5X24		4005337024
7	101117684	1	ISOLATION KIT NEPTUNE 2		
8	3453	4	SCREW M8X60		4005337034
9	101117755	1	BOTTOM COVER BOILER		
10	2758	4	HEXAGON NUT M8		4005337027
11	101117790	1	COIL FOR B2 BOILER		
11	107145351	1	STAINLESS COIL	accessory	
12	107145328	1	CHIMNEY ADAPTOR KIT	accessory	4005337159



# Heat exchanger assy., ignition transformer

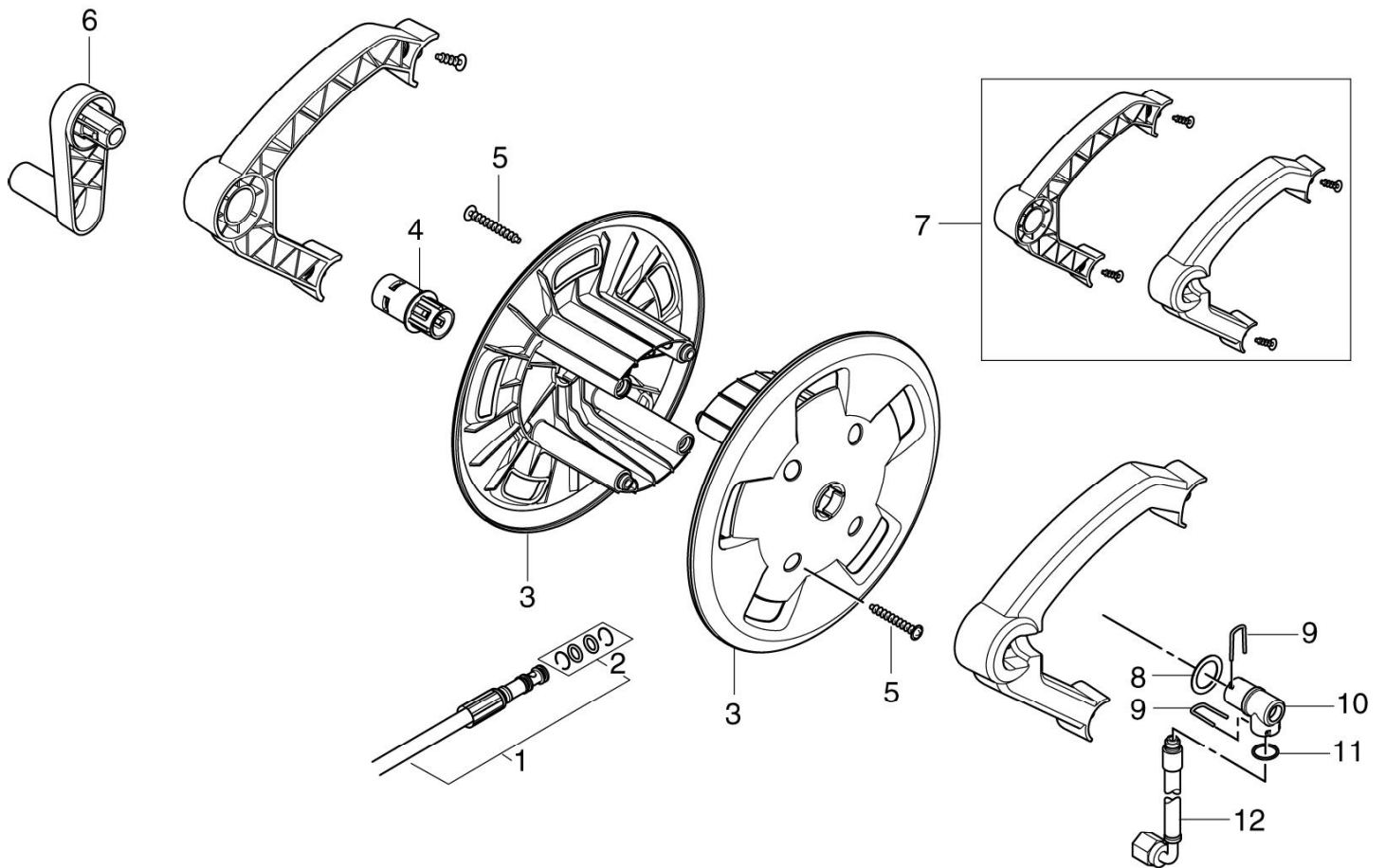
NEPTUNE 2

05-08-2009

Part List ID  
NEPTUNE226

28

Pos	Part no.	Qty	Description	EAN	
1	101117757	1	COVER FOR BOILER COMPLETE	4005337155	
2	4820	3	SCREW M5X10	4005337048	
3	909100139	1	HEXAGON NUT M20X1 24X6 CUZN	4005337023	
4	101117760	1	IGNITION CORD 7X500 - DANFOSS	4005337155	
5	101117756	1	PRIMARY CABLE FOR IGNITION COIL	4005337155	
6	101117759	1	IGNITION TRANSF 220-240 50-60 - DANFOSS	4005337155	
6	301002083	1	IGNITION TRANSFORMER 110-120 50-60	4005337076	
7	42236	2	CHEESE HEAD SCREW	4005337422	
8	5606	1	SCREW 2.9X19	4005337056	
9	301000934	1	HOLDER FLAMESENSOR	4005337025	
10	101117837	1	FLAME SENSORPLUG KIT	4005337171	
12	101117674	1	FUEL PIPE COMP.	4005337152	
14	301001548	1	HOLDER OIL ATOMIZER SW22X65.5	4005337059	
15	301150009	1	SPARE PART KIT FOR IGNITION ELECTRODE	4005337158	
16	909100144	1	SPRING WASHER B5	4005337025	
17	909100143	1	PAN HEAD SCREW M4X 4.5	4005337026	
18	2802712	1	NOZZLE 1,0 GAL/H 3,72KG/	2-25, 2-33, 2-41	5701715115
18	301002856	1	FUEL NOZZLE 0.75 60 DEG.	2-26	4005337158
19	101117758	1	AIR DISTRIBUTOR	2-25, 2-33, 2-41	4005337155
19	301002848	1	BAFFLE PLATE Ø80 X 71.3	2-26	4005337119
20	51848	3	OVAL HEAD SCREW M3X4		4005337518



# Hose reel

## NEPTUNE 2

05-08-2009

Part List ID  
NEPTUNE228

30

Pos	Part no.	Qty	Description	EAN
-	107145197	1	HOSE REEL CPL. FOR MOUNTING IN BOX	4005337154
1	101117763	1	HP HOSE DN6 15 FOR HW AND SWIVEL	4005337160
2	101117787	1	O-RING KIT WITH BACKUP RING	
3	6528570	2	HOSE REEL	5701715379
4	301002273	1	ADAPTOR	4005337089
5	1814641	4	SCREW	5701715268
6	6528569	1	HOSE REEL HANDL	5701715379
7	101117683	1	ADAPTORS FOR HOSE REEL COMP	4005337152
8	6127995	1	WASHER	5701715280
9	6526487	2	LOCK BRACKET SS	5701715239
10	6127990	1	CONNECTOR Ø14/Ø14	5701715419
11	101117762	1	O-RING 14.3X2.4 NBR 70 SHORE	4005337155
12	101117761	1	HP HOSE 600MM	4005337155

# Default accessories

NEPTUNE 2

05-08-2009

Part List ID  
NEPTUNE234

31

No Drawing For Part List

# Default accessories

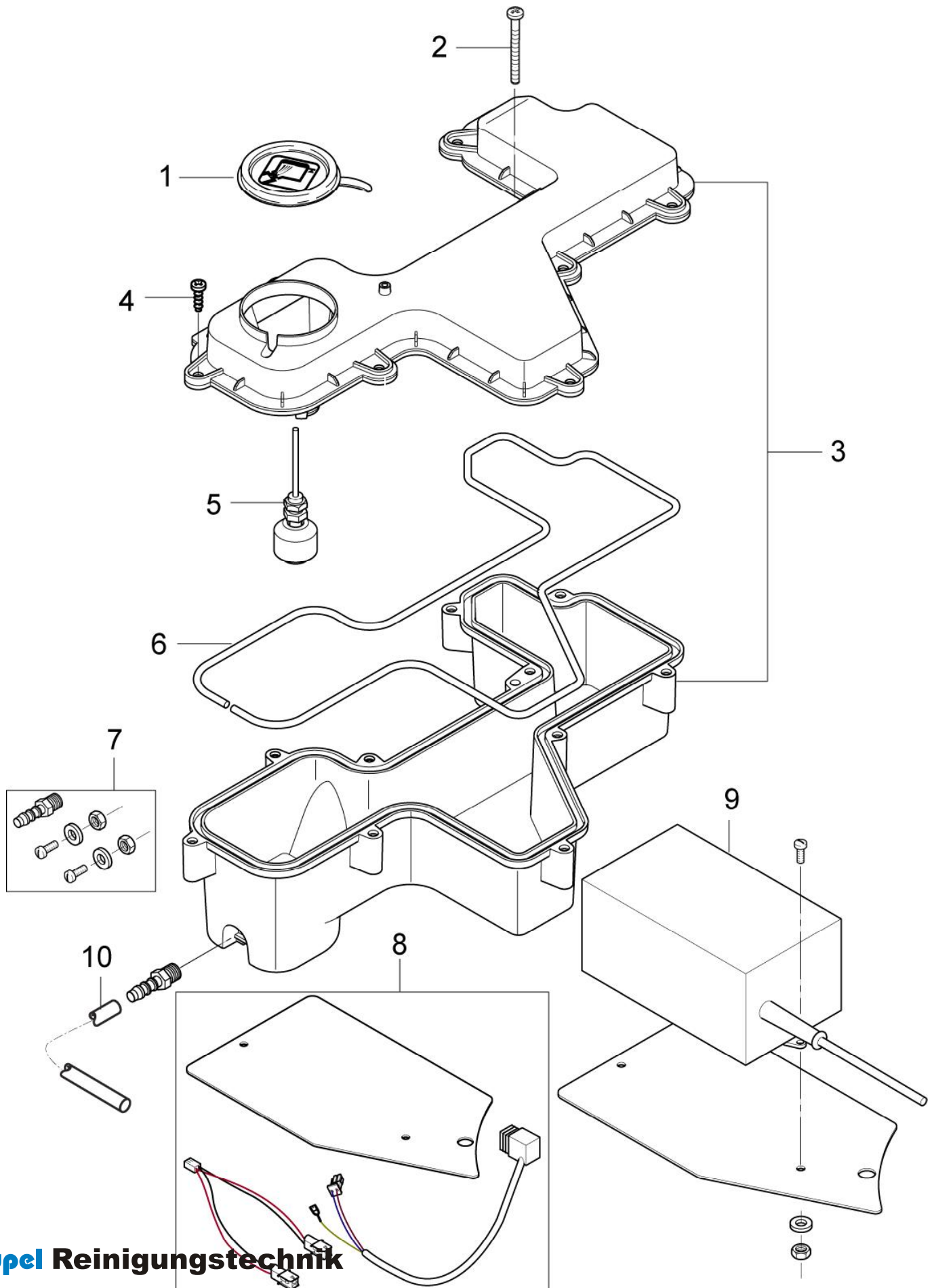
NEPTUNE 2

05-08-2009

Part List ID  
NEPTUNE234

32

Pos	Part no.	Qty	Description	EAN
1	101117783	1	NEPTUNE 2 BOILER W. STAINLESS STEEL COIL	5715492040
1	101119496	1	ERGO COUPLING KIT	5701715304
1	101119735	1	NOZZLE 0340 INDICATION RING VIOLET	5701715324
1	101119742	1	NOZZLE + INDICATION RING 0530	5701715324
1	106402141	1	FLEXOPOWER 3000 LANCE 920 W/O NOZZLE	5701715324
1	106402163	1	UNIVERSAL 3000 LANCE 1020 W/O NOZZLE	5701715324
1	107145123	1	ANTI SCALE TANK CPL.	4005337152
1	107145197	1	HOSE REEL CPL. FOR MOUNTING IN BOX	4005337154
1	107145328	1	CHIMNEY ADAPTOR KIT	4005337159
1	107145337	1	SAND FILTER CPL.	4005337165
1	107145347	1	WALL MOUNTING BRACKET KIT	4005337154
1	301002275	1	10 M WIRE HOSE DN6	4005337089
1	301002410	1	ERGO 1000	4005337088



# Anti scale

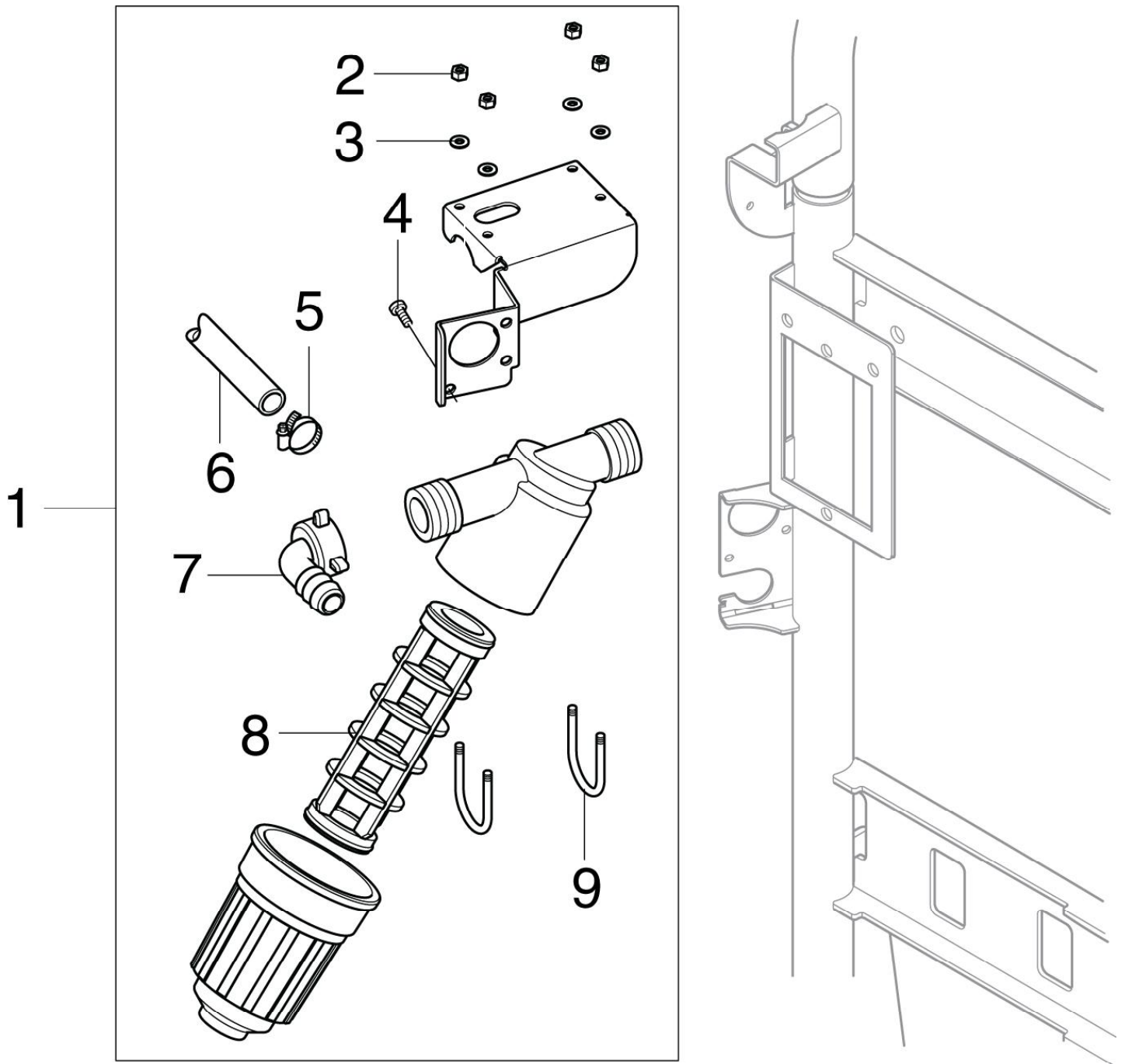
## NEPTUNE 2

05-08-2009

Part List ID  
NEPTUNE230

34

Pos	Part no.	Qty	Description	EAN
-	107145123	1	ANTI SCALE TANK CPL.	4005337152
1	45646	1	COVER	4005337456
2	1814733	1	SCREW K50X50 TORX	5701715363
3	101117701	1	ANTISCALE TANK PLASTIC KIT	4005337154
4	101814782	10	SCREW PT KB50X18	4005337170
5	101117700	1	ANTISTONE SENSOR WITH CABLE	4005337165
6	101117796	1	SILICONE GASKET D3X1	4005337159
7	101117831	1	SCREW FITTING F MOUNTING ANTISCALE PUMP	4005337163
8	101117834	1	WIRES AND PLATE-ANTISCALE- FOR NEPTUNE 2	4005337163
9	101117826	1	ANTISCALE PUMP ST-15 35 ML WITH PLUG 24V	4005337169



# Sandfilter NEPTUNE 2

NEPTUNE 2

05-08-2009

Part List ID  
NEPTUNE232

36

Pos	Part no.	Qty	Description	EAN
1	107145337	1	SAND FILTER CPL.	4005337165
2	1800127	4	LOCK NUT M4	5701715026
3	3092	4	WASHER 4.3X0.8	4005337030
4	1813575	3	SCREW M5X12	5701715031
5	9262	1	HOSE CLIP 12-20	4005337092
6	5206230	1	HOSE 5/8IN	4005337171
7	5613	1	HOSE NOZZLE	4005337056
8	31000110	1	FINE SAND INSERT 22MICRON	
9	G040179	2	CLAMP FOR FILTER Ø4X97	5701715425

# Recommended Spare Parts

NEPTUNE 2

05-08-2009

Part List ID  
NEPTUNE236

37

No Drawing For Part List

# Recommended Spare Parts

NEPTUNE 2

05-08-2009

Part List ID  
NEPTUNE236

38

Pos	Part no.	Qty	Description	EAN
0	101117673	1	OIL PUMP INCL. FITTINGS	4005337152
0	101117675	1	FLOW SWITCH COMP.	4005337158
0	101117684	1	ISOLATION KIT NEPTUNE 2	
0	101117685	1	REGULATION VALVE ASSY	
0	101117691	1	START/STOP BOX KIT	
0	101117700	1	ANTISTONE SENSOR WITH CABLE	4005337165
0	101117709	1	BURNER MOTOR 390W - 200V	4005337154
0	101117710	1	BURNER MOTOR 300W - 230V	4005337154
0	101117719	1	REED SWITCH FOR FLOW SWITCH	4005337154
0	101117720	1	SAFETY VALVE ADJUSTED TO 146 BAR	4005337154
0	101117723	1	EXH LIMIT SWITCH	4005337160
0	101117724	1	POWER TRANSFORMER 230/400-24/8V T70	4005337154
0	101117730	1	PCB FOR POTENTIOMETER	4005337155
0	101117731	1	PCB FOR LCD	4005337160
0	101117732	1	MAIN PCB	4005337155
0	101117746	1	LOW FUEL CUT OUT SWITCH	4005337155
0	101117759	1	IGNITION TRANSF 220-240 50-60 - DANFOSS	4005337155
0	101117760	1	IGNITION CORD 7X500 - DANFOSS	4005337155
0	101117762	1	O-RING 14.3X2.4 NBR 70 SHORE	4005337155
0	101117775	1	COIL FOR OIL PUMP BFA 01 L3L	
0	101117784	1	FLOAT VALVE	4005337155
0	101117787	1	O-RING KIT WITH BACKUP RING	
0	101117807	1	PISTON KIT FOR GXR CERAMIC	1PH ONLY
0	101117808	1	PISTON KIT FOR AXR CERAMIC	3PH ONLY
0	101117837	1	FLAME SENSORPLUG KIT	4005337171
0	106162556	1	CHECK VALVE KIT	5701715419
0	106162567	1	SUCTION VALVE PLUG KIT	1PH ONLY
0	106163050	1	TOTAL STOP ROD KIT	5701715471
0	1604222	1	STRAINER	5701715025
0	16998	1	O-RING	4005337169
0	1801075	1	PACKING RING Ø 23,8X Ø 17,2	5701715027
0	2802712	1	NOZZLE 1,0 GAL/H 3,72KG/	5701715115
0	28877	1	SWITCH	4005337288
0	301000293	1	SWITCH START/TRIANGLE 16	4005337672
0	301001000	1	VALVE 51X70	4005337028
0	301001095	1	COVER COMPLETE	4005337031
0	301001228	1	CONTACT 100-K12KJ3M 24	4005337038
0	301001261	1	LOCKING BOLT Ø29X35	4005337042
0	301002320	1	CAPACITOR	4005337099
0	301002561	1	KIT THRUST COLLAR	4005337106
0	301002562	1	KIT VALVE (6X)	4005337106
0	301002578	1	PLUG	3PH ONLY

# Recommended Spare Parts

NEPTUNE 2

05-08-2009

Part List ID  
NEPTUNE236

39

Pos	Part no.	Qty	Description	EAN
0	301002926	1	INLINE FILTER 101X36.5X6 KU	4005337122
0	301003095	1	KIT EASY START FOR GXR PUMP FOR UK 1PH ONLY	4005337123
0	301150009	1	SPARE PART KIT FOR IGNITION ELECTRODE	4005337158
0	6127995	1	WASHER	5701715280
0	909100204	1	ROTARY KNOB 6X5 BLUE	4005337689
0	909100214	1	ROTARY KNOB GR.1 4KT. 6X6+8X8 BLUE	4005337026