

POSEIDON 2 PORTABLE



Model:
POSEIDON 2-24 PORT
POSEIDON 2-26 PORT



Part List US-English

02-07-2009

Nilfisk
ALTO
Why Compromise



heupel **Reinigungstechnik GmbH**

Gottlieb Daimler Str. 6
88214 Ravensburg
email: info@heupel-gmbh.de
www.heupel-gmbh.de

Tel. (+49) 0751-35905-3
Fax. (+49) 0751-3590-59

Shop: www.nilfisk-alto-shop.eu

Table of Contents

POSEIDON 2 PORTABLE

Poseidon 2	3
Default accessories	7

Poseidon 2

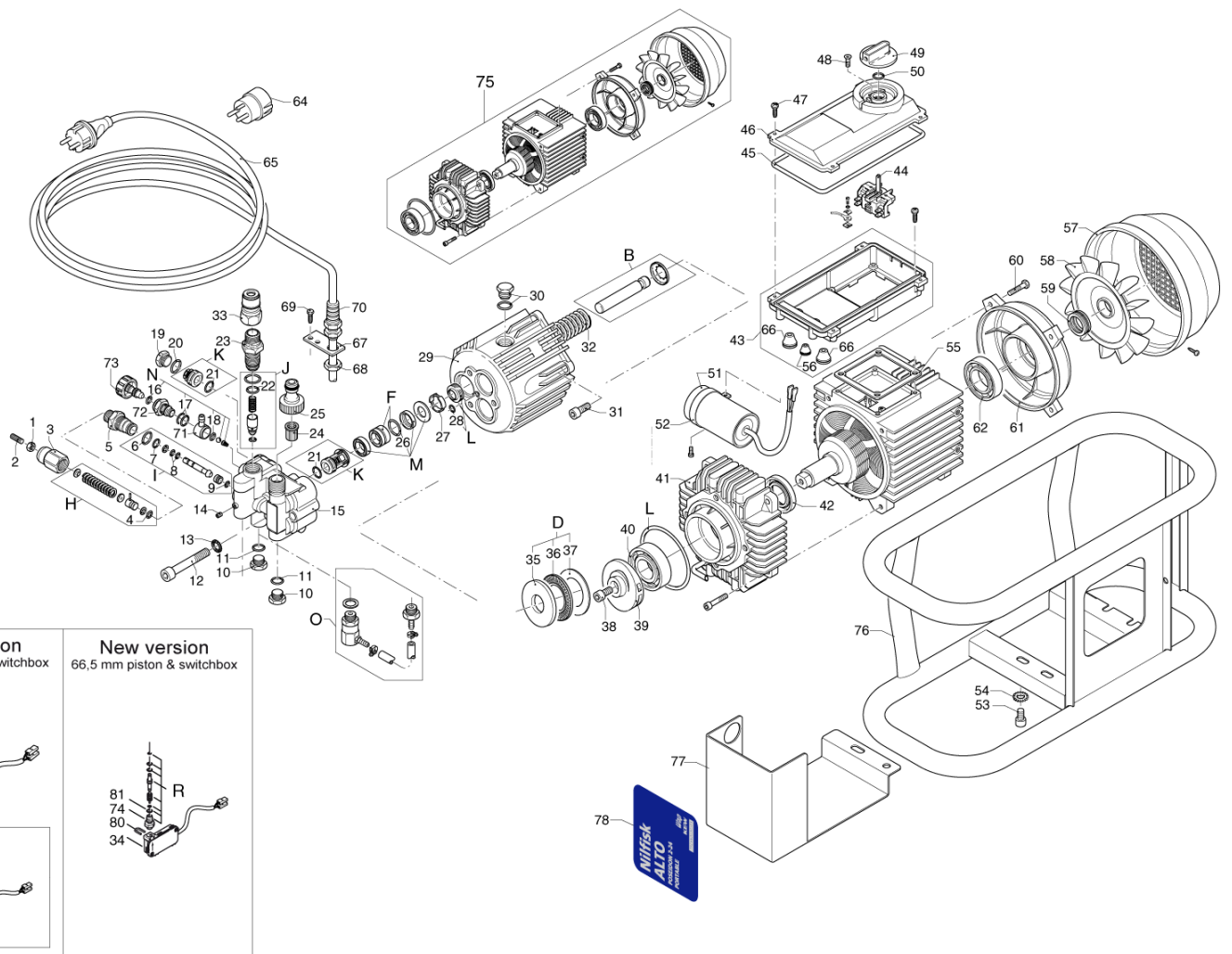
POSEIDON 2 PORTABLE

02-07-2009

Part List ID

POS202

3



Poseidon 2

POSEIDON 2 PORTABLE

02-07-2009

Part List ID
POS202

4

Pos	Part no.	Qty	Description		EAN
-	5218602	1	PUMP OIL HV68 1X1L	0,055 l	5701715046
1	1805399	1	LOCK NUT W. NYLONRING M6		5701715029
2	101814690	1	THREADED PIECE		5701715296
3	106522464	1	KNOB		5701715296
4	3004181	1	O-RING		5701715323
5	106522491	1	PISTON GUIDE		5701715297
6	56554	1	O-RING Ø 14X1,78		4005337565
7	7424	1	O-RING 8,76X1,8		4005337074
8	6480272	2	O-RING		5701715226
9	3004297	1	O-RING		5701715385
B	106522451	3	REP. KIT PISTONS		5701715296
D	106522453	1	REP. KIT BEARINGS		5701715296
E	106522455	1	REPAIR SET BACK-UP RING		5701715296
H	106522457	2	KIT, PRESSURE ADJUSTMENT		5701715296
I	106522458	1	REP. KIT VALVE SEAT / BY-P		5701715296
J	106522459	1	REP. KIT INJECTOR		5701715296
K	106522460	3	REP. KIT VALVES		5701715296
L	106522461	1	REP. KIT OIL SEALS		5701715296
M	106522462	3	REP. KIT WATER SEALS		5701715296
N	106522521	1	REP. KIT DETERGENT INJECTO		5701715297
O	101119852	1	KIT, VALVE EASY START		5701715415
P		1	NOTE COMMENT	See STI CPW_022	5701715456
Q	106522456	1	PISTON START STOP & SWITCHBOX	See STI CPW_022	5701715296
R	106522481	1	PISTONKIT 66,5 MM	See STI CPW_022	5701715297
10	106522465	2	PLUG		5701715296
11	9154	2	O-RING Ø 10,82X1,78		4005337091
12	106522492	3	SCREW		5701715297
13	1800317	3	WASHER M10		5701715026
14	101814691	1	PIN		5701715395
15	106522466	1	PUMP HEAD		5701715296
16	6480272	1	O-RING		5701715226
17	6480286	3	O-RING		5701715226
18	24658	1	O-RING 4,5 X 1,8 DIN		4005337246
19	106522467	1	PLUG		5701715296
20	103004342	1	JOINT TORQUE 17,86X2,62		5701715296
21	19620	1	O-RING Ø 15,54X2,62		4005337196
22	3002029	1	O-RING 12,42X1,78 NITRIL 70 SH		5701715038
23	106522493	1	DETERGENT INJECTOR		5701715297
24	106522469	1	SUCTION FILTER		5701715296
25	106522495	1	ATTACHMENT FOR TAP+GASKET		5701715297
26	24269	3	O-RING 20,5 X1,8		4005337242
27	106522463	3	SPACER		5701715296

Poseidon 2

POSEIDON 2 PORTABLE

02-07-2009

Part List ID
POS202

5

Pos	Part no.	Qty	Description	EA	EAN
28	3004108	3	O-RING 5.28X1.78 NITRIL 90 SH		5701715038
29	106522468	1	HOUSING		5701715296
30	106522470	1	PLUG		5701715296
31	8893	4	SOCKET HEAD CAP SCREW M8X20		4005337088
32	106522471	3	SPRING		5701715297
33	1402569	1	QUICK COUPLINGSNIPPLE COMP.		5701715023
34	106522528	1	SWITCHBOX FOR PISTONKIT 66,5 MM	MICRO SWITCH # 106522530	5701715457
34	106522530	1	MICRO SWITCH F 106522481		5701715457
38	106522511	1	SCREW		5701715297
39	106522483	1	WOBBLE PLATE		5701715297
40	106522478	1	BEARING		5701715297
41	106522490	1	ELEC. MOTOR FLANGE		5701715297
42	106522479	1	SEAL		5701715297
43	107306064	1	CASE COMPL. SWITCH BOX		5701715395
44	29931	1	ROTARY SWITCH		4005337299
45	101406054	1	SPONGE RUBBER Ø4 1M		5701715457
46	106126221	1	SWITCH BOX COVER		5701715316
47	16861	4	SCREW 4X20		4005337168
48	18274	2	COUNTERSUNK SCREW M4X12		4005337182
49	243611	1	TURNING KNOB		4005337017
50	9868	1	O RING DIA 10X2,5		4005337098
51	106522513	1	CAPACITOR 50MICRONF	50µF	5701715297
52	106522501	2	CLAMP		5701715297
53	101814749	4	SCREW M8X10 DIN 912 CYL.HOVED		5701715395
54	2803	4	WASHER 8,2		4005337028
55	106522514	1	GASKET		5701715297
56	3803764	1	RUBBER SEAL TET 5-7C		5701715007
57	106522485	1	FAN COWLING		5701715297
58	106522486	1	FAN		5701715297
59	106522487	1	SEAL		5701715297
60	10369	4	SCREW M5X25		4005337103
61	106522488	1	MOTOR SHIELD		5701715297
62	106522489	1	BEARING		5701715297
64	104559521	1	ADAPTER FOR ELECTRIC PLUG	Up to 2005.01.05	5701715395
64	82179200	1	PLUG UK		
65	301002511	1	POWER CORD RN/F 3G1.5X6M CEE3 16A6H BL	26 (DK)	4005337104
65	7180226	1	POWER CORD RN-F 3G1.5X6M CEE7/VII	EU	5701715137
66	3803772	2	CABLE GROMMET TET 7-10C		5701715007
67	106522482	1	BRACKET		5701715297
68	909100019	1	HEXAGON THIN NUT M20X1.5 EN 50262 PA		4005337016
69	1801091	2	SCREW M5X10		5701715027
70	909100043	1	CABLE SCREWING W. ANTIBUC. M20X1.5		4005337679

Poseidon 2

POSEIDON 2 PORTABLE

02-07-2009

Part List ID
POS202

6

Pos	Part no.	Qty	Description	EAN
71	106522518	1	ATTACHMENT FOR TAP	5701715297
72	106522519	1	INJECTOR HOUSING	5701715297
73	106522520	1	HANDLE	5701715297
74	106522533	1	NUT FOR PISTON 66,5 MM	5701715457
75	106522527	1	MOTOR COMPL.230-240V 50HZ	230-240V, 50HZ 5701715395
76	107304025	1	CHASSIS	5701715395
77	107304028	1	COVER POSEIDON	5701715395
78	107304032	1	LABEL POSEIDON 2-24	5701715395
79	107304033	1	LABEL POSEIDON 2-26 PORTABLE	5701715395
80	106522534	1	CLAMP FOR PISTON 66,5 MM	5701715457
81	106522532	1	O-RING FOR 106522533	5701715457
34A		1	NOTE COMMENT	See STI CPW_022 5701715456
74A	6522828	1	NUT W. O-RING	See STI CPW_022 5701715337

Default accessories

POSEIDON 2 PORTABLE

02-07-2009

Part List ID
POS204

7

No Drawing For Part List

Default accessories

02-07-2009

POSEIDON 2 PORTABLE

Part List ID

POS204

8

Pos	Part no.	Qty	Description		EAN
1	101119736	1	NOZZLE 0350 INDICATION RING BORDEAUX	2-26	5701715324
1	101119741	1	NOZZLE 0500 INDICATION RING YELLOW	2-24	5701715324
1	101405770	1	10 M WIRE HOSE 5/16 DN8		5701715330
1	106402141	1	FLEXOPOWER 3000 LANCE 920 W/O NOZZLE	FLEXOPOWER LANCE W/O NOZZLE	5701715324
1	301002410	1	ERGO 1000		4005337088



heupel Reinigungstechnik GmbH

Gottlieb Daimler Str. 6
88214 Ravensburg
email: info@heupel-gmbh.de
www.heupel-gmbh.de

Tel. (+49) 0751-35905-3

Fax. (+49) 0751-3590-59

Shop: www.nilfisk-alto-shop.eu