

SQ 850-11, SQ 23 GALLON

Model:
SQ 850-11



heupel Reinigungstechnik GmbH

Gottlieb Daimler Str. 6
88214 Ravensburg

email: info@heupel-gmbh.de
www.heupel-gmbh.de

Tel: (049) 0751 - 35905-3
Fax: (049) 0751 - 35905-59

Shop: www.heupel-shop.de

Heupel - Reinigungstechnik - Beratung, Verkauf, Service, alles aus einer Hand.

Nilfisk ALTO

Why Compromise

www.nilfisk-alto.com

Table of Contents

SQ 850-11, SQ 23 GALLON

Clamping plate, filter cassette	3
Base, motor	5
Cover, switch box	7
Cleaning set, filter	9
Chassis	11
Container, filter bag, accessories	13

Clamping plate, filter cassette

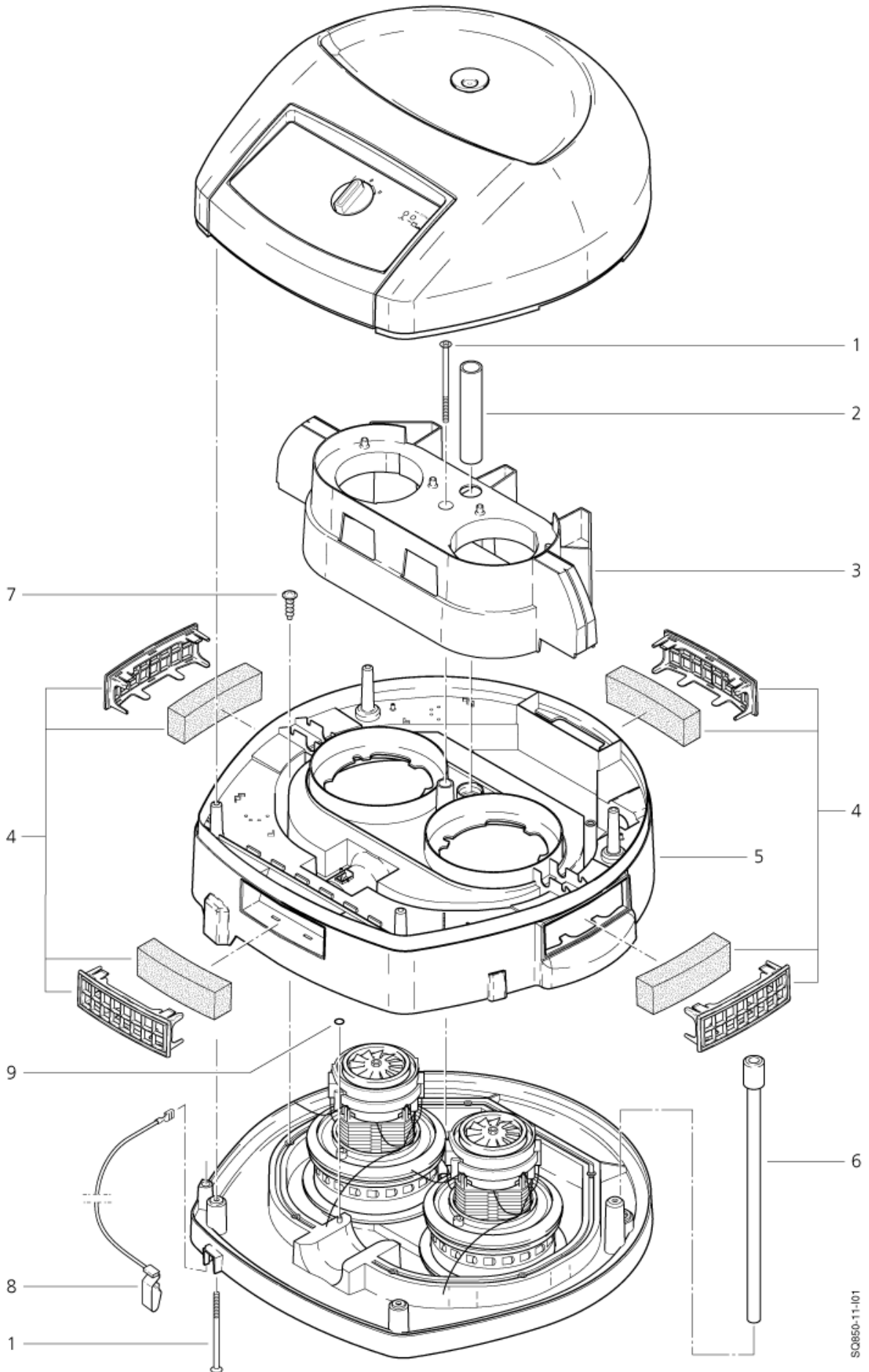
SQ 850-11, SQ 23 GALLON

23-06-2009

Part List ID

SQ85001

3



SQ850-11-101

Clamping plate, filter cassette

SQ 850-11, SQ 23 GALLON

23-06-2009

Part List ID

SQ85001

4

Pos	Part no.	Qty	Description	EAN
1	11257	1	LENFOR FLUSH SCREW 6 X 90	4005337112
2	61213	1	TUBE 25X133	4005337612
3	60629	1	COOLING-AIR-CONDUIT SQ 8 JET BLACK PP	4005337606
4	62007	1	ILTER CASSETTE	4005337620
5	62199	1	CLAMPING PLATE	4005337621
6	60634	1	RUBBER TUBE	4005337606
7	11565	1	SCREW 5X18	4005337115
8	61174	1	EARTHING CABLE	4005337611
9	62359	1	GASKET 9X4X1	4005337623

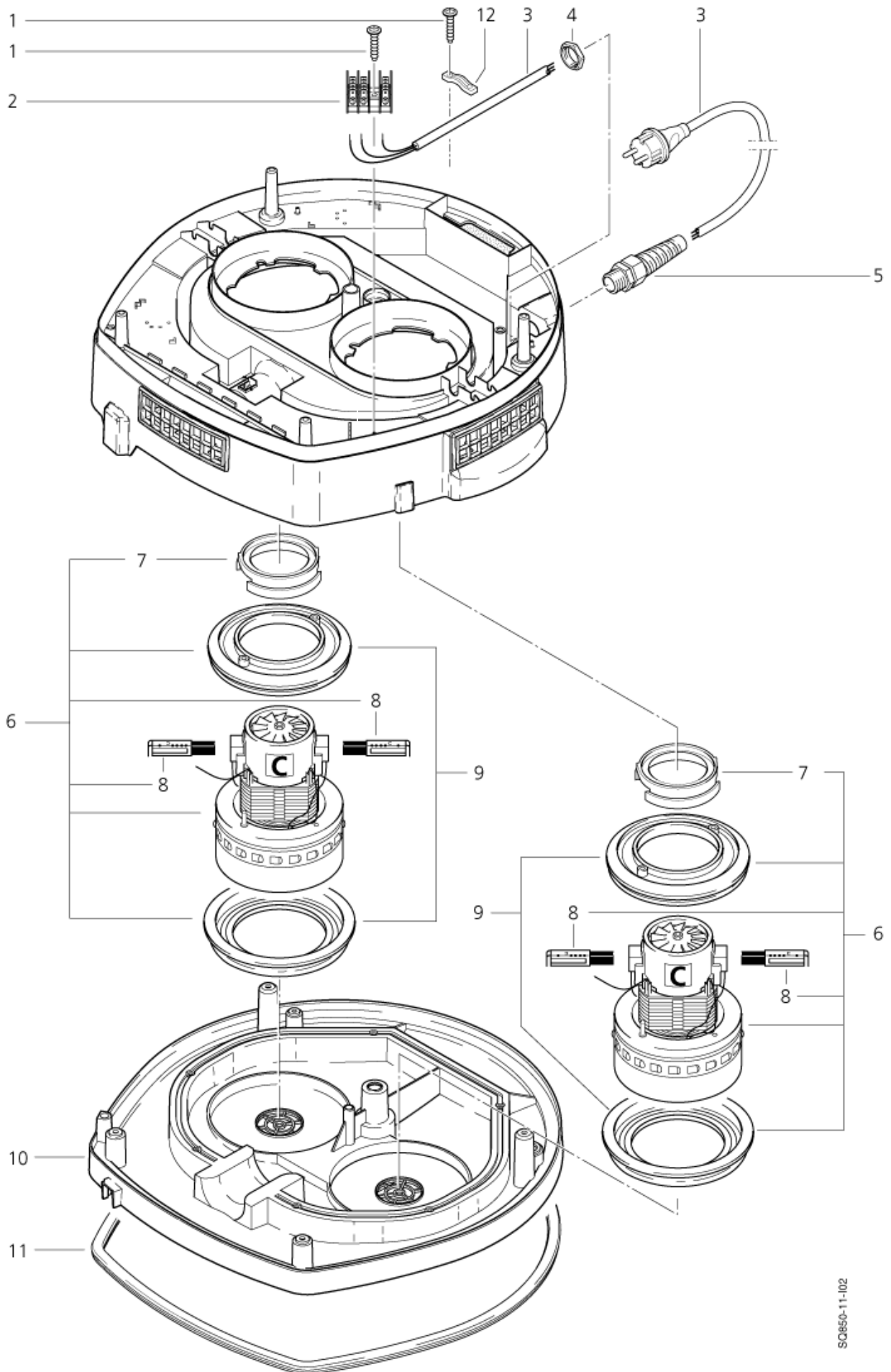
Base, motor

SQ 850-11, SQ 23 GALLON

23-06-2009

Part List ID
SQ85002

5



Base, motor

SQ 850-11, SQ 23 GALLON

23-06-2009

Part List ID

SQ85002

6

Pos	Part no.	Qty	Description	EAN
1	11256	1	SCREW 3.5X18	4005337112
2	48421	1	TERMINAL STRIP	4005337484
3	14503	1	POWER CABLE *ZA*	4005337145
3	14885	1	POWER CABLE 3X1.X 7.5 M *EU*	4005337148
3	15274	1	MAINS CABLE GB *GB,230V*	4005337152
3	28501	1	POWER CORD SJOW-AWG12/3X SQ 23 GALLON *US*	4005337285
3	60442	1	WIRE NET H07RN-F 3G1.0X 7.5 SEV 12 /AEH *CH*	4005337604
3	62016	1	POWER CORD H07BQ-F 3G2.5X7.5 *GB,110V*	4005337620
3	62327	1	POWER CABLE 3G1.0X 7.5 *DK*	4005337623
4	1762	1	NUT 6KT PG 16 46320 MS	4005337017
5	11567	1	CABLE SCREWING W. ANTIBUC.	4005337115
6	26785	1	MOTOR 120V 1000W 1000 W / 120 V *GB,110V* - SQ 23 GALLON *US*	4005337267
6	49594	1	MOTOR 230V 1200W 1200 W / 230 V *GB,230V* ZA*	4005337495
6	49598	1	MOTOR 230V 1000W 1000 W / 230 V *CH*	4005337495
6	62012	1	ELECTRIC MOTOR TURBO 230V 1400 W / 230 V *EU*DK*	4005337620
7	47035	1	COLLAR for identif. letter "L" + "M"	4005337470
7	47036	1	COLLAR for identif. letter "C"	4005337470
8	26774	1	CARBON BRUSH SET M for identif. letter "M"	4005337267
8	26775	1	CARBON BRUSH SET L for identif. letter "L"	4005337267
8	49625	1	CARBON BRUSHES C for identif. letter "C"	4005337496
9	29205	1	SEAL for identif. letter "L" + "M"	4005337292
9	61167	1	MOTOR BEARING RING SET EC for identif. letter "C"	4005337611
10	62200	1	PLATE	4005337622
11	60636	1	RUBBER SEAL SQ8	4005337606
12	5697	1	STRAP 3X8X33	4005337056

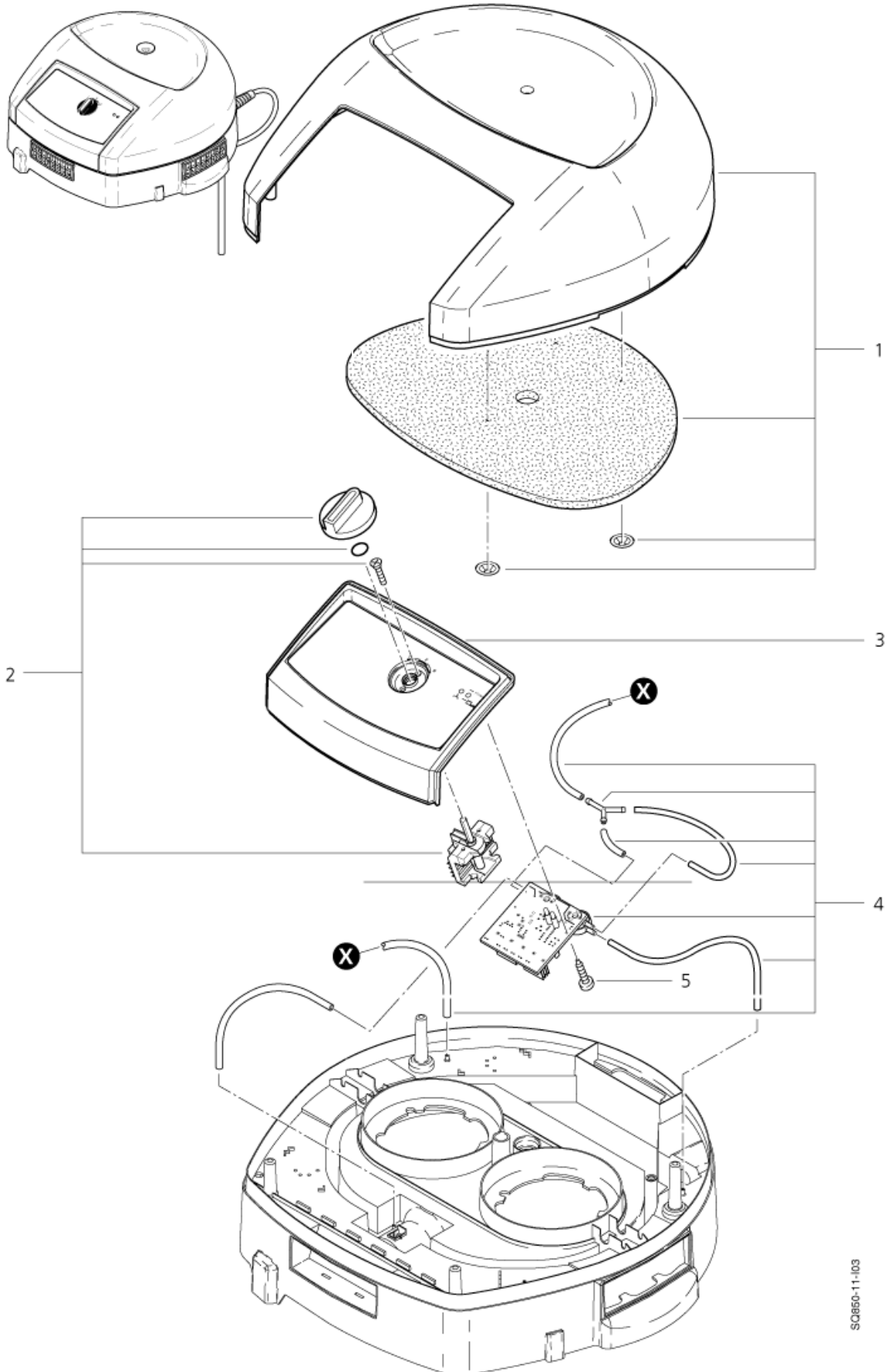
Cover, switch box

SQ 850-11, SQ 23 GALLON

23-06-2009

Part List ID
SQ85003

7



Cover, switch box

SQ 850-11, SQ 23 GALLON

23-06-2009

Part List ID

SQ85003

8

Pos	Part no.	Qty	Description	EAN
1	62008	1	COVER	4005337620
2	62009	1	SWITCH	4005337620
3	65215	1	SWITCH BOX LABEL IS INCLUDED	4005337652
3	65231	1	LABEL	4005337652
4	62006	1	ELECTRONICS 230V 230V	4005337620
4	62146	1	MOTION MOTOR 110V SQ8 110V	4005337621
5	4036	1	SHEET METAL SCREW 2,9X9,	4005337040

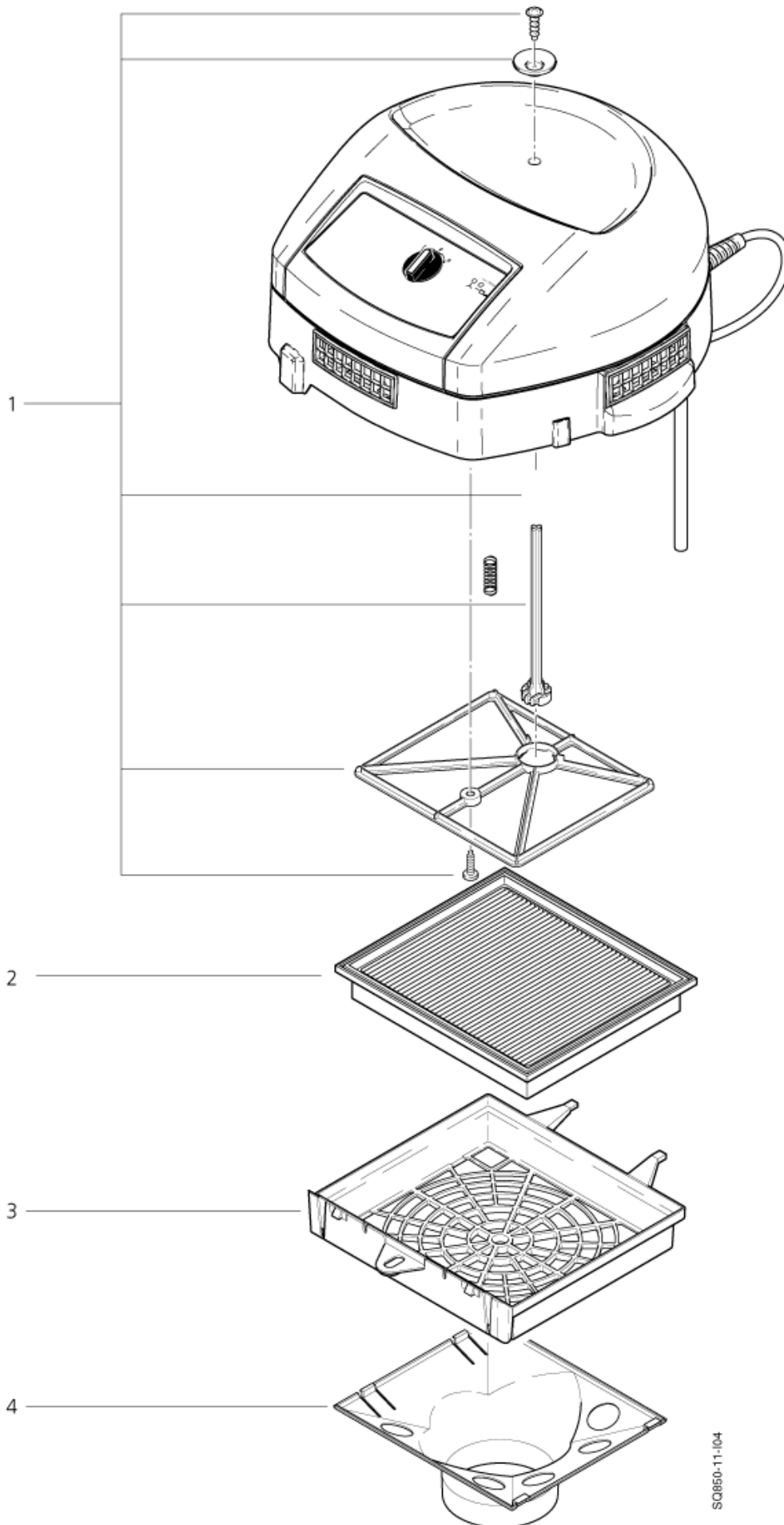
Cleaning set, filter

SQ 850-11, SQ 23 GALLON

23-06-2009

Part List ID
SQ85004

9



SQ850-11-104

Cleaning set, filter

SQ 850-11, SQ 23 GALLON

23-06-2009

Part List ID
SQ85004

10

Pos	Part no.	Qty	Description	EAN
1	62004	1	CLEANING SET	4005337620
2	61605	1	FILTER ELEMENT PET FLEECE	4005337616
3	60631	1	FILTER SUPPORT CAGE	4005337606
4	60632	1	FUNNEL	4005337606

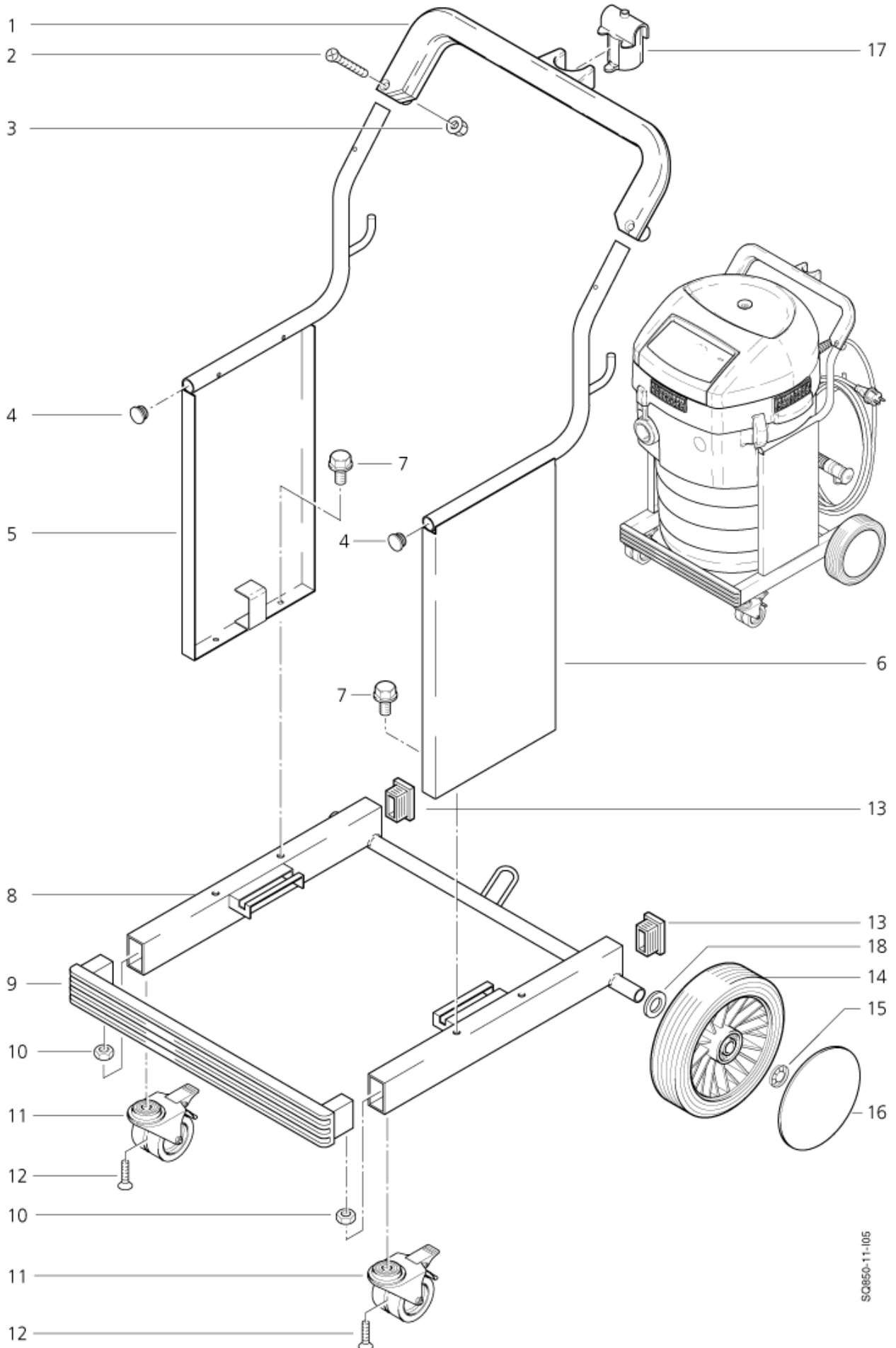
Chassis

SQ 850-11, SQ 23 GALLON

23-06-2009

Part List ID
SQ85005

11



SQ850-11-105

Chassis

SQ 850-11, SQ 23 GALLON

23-06-2009

Part List ID
SQ85005

12

Pos	Part no.	Qty	Description	EAN
1	46134	1	HANDLEBAR	4005337461
2	17737	1	SCREW M6X40	4005337177
3	12496	1	HEXAGON NUT M6	4005337124
4	60767	1	PLUG	4005337607
5	65219	1	BUMPER SQ8 WAP TECHN	4005337652
6	65221	1	BUMPER SQ8 WAP TECHN	4005337652
7		1	HEXAGON HEAD CAP SCREW	SCREWM 6X 12 4005337607
8	302000172	1	BASE FRAME	4005337686
9	46301	1	SCREEN	4005337463
10		1	HEXAGON NUT M8	NUT 6KT- M8 934 ZN 4005337027
11	302000126	1	STEERABLE WHEEL Ø75X2X25	4005337006
12	30738	1	SCREW M8X30 ISO 10642	4005337307
13	7895	1	CAP	4005337078
14	302000173	1	WHEEL Ø200X54X33	4005337016
15	47302	1	CLAMPING RING Ø28,6/Ø20X	4005337473
16	65213	1	HUB CAP (BLUE)	4005337652
17	60879	1	ADAPTER SQ 850	4005337608
18		1	PAD 21X3	SCREW 21 X3,0 B 125 ZN 4005337513

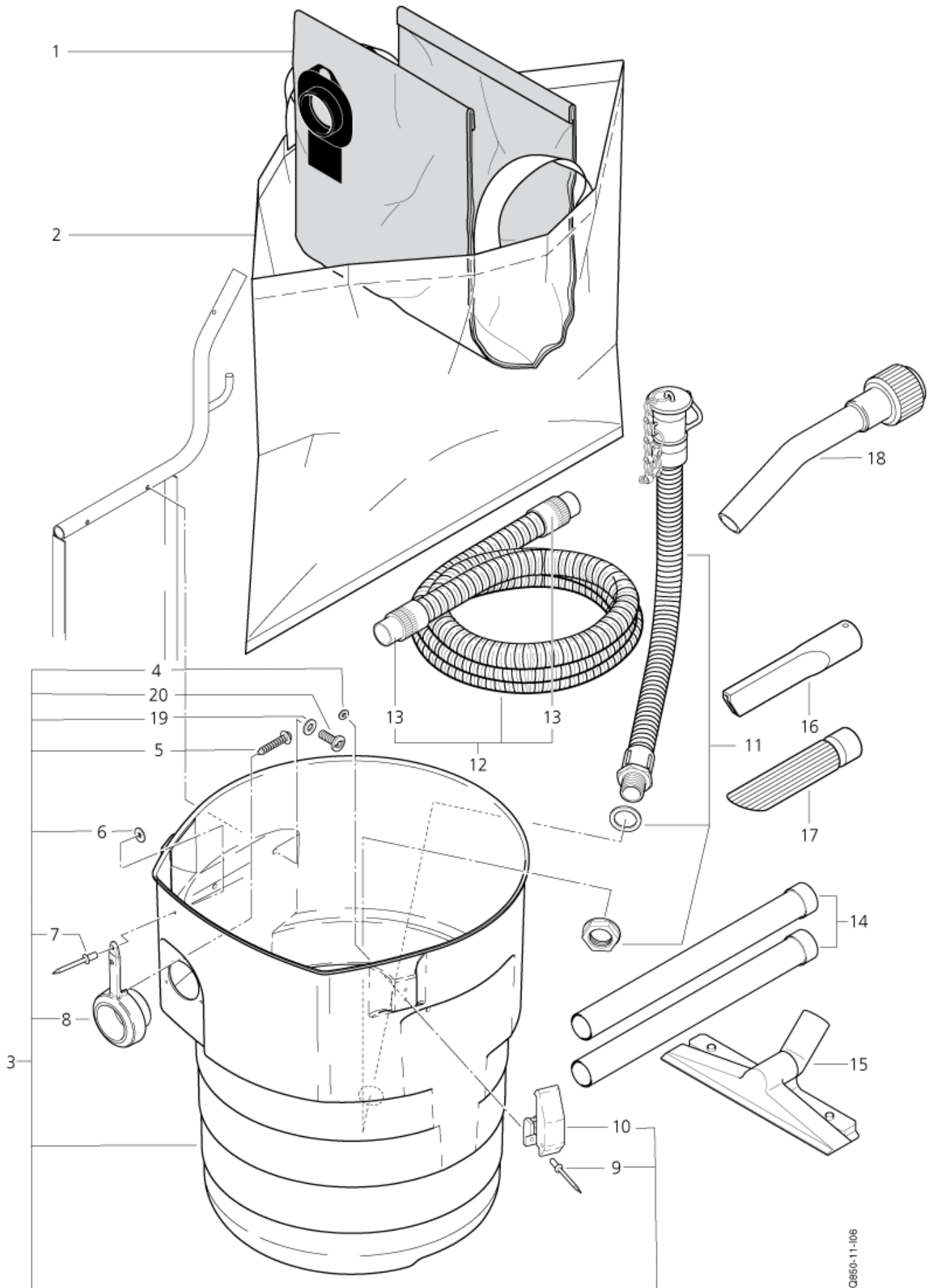
Container, filter bag, accessories

SQ 850-11, SQ 23 GALLON

23-06-2009

Part List ID SQ85006

13



Container, filter bag, accessories

SQ 850-11, SQ 23 GALLON

23-06-2009

Part List ID
SQ85006

14

Pos	Part no.	Qty	Description	EAN
1	61603	1	FILTER BAG SET5 SQ 8	4005337616
2	60676	1	REMOVAL BAG	4005337606
3	62005	1	CONTAINER	4005337620
3	65217	1	CONTAINER SQ8 BLUE WAP	RAW CONTAINER WITHOUT PARTS 4005337652
4	3092	1	WASHER 4,3X0,8	SCREW 4,3X0,8 A 125 ZN 4005337030
5	46248	1	SCREW EJOT- KA35X18 WN	4005337462
6	2763	1	WASHER 5,3X1	WASHER 5,3X1,0 A 125 ZN 4005337027
7	7069	1	BLIND RIVET	4005337070
8	60878	1	INLET FITTING	4005337608
9	15889	1	BLIND RIVET	4005337158
10	19880	1	FIXING CLAMP WAS 11370/19	4005337198
11	61210	1	DRAIN HOSE	4005337612
12	15358	1	UNIVERSAL HOSED50X4000MM	SQ 23 GALLON 4005337153
13	15101	1	HOSE SLEEVE Ø 50/50	SQ 23 GALLON 4005337151
14	15546	1	EXTEN TUBE Ø36 2X500MM SS	SQ 23 GALLON 4005337155
15	5147	1	NOZZLE 330XØ36MM	SQ 23 GALLON 4005337051
16	7102	1	CREVICE NOZZLE H.D. Ø 50M	SQ 23 GALLON 4005337071
17	7868	1	DIAGONAL TUBE NOZZLE Ø 50M	SQ 23 GALLON 4005337078
18	15341	1	CURVED HAND TUBE Ø50-36MM	SQ 23 GALLON 4005337153
19	14665	1	CONICAL NIPPLE	4005337158
20	6878	1	LENS HEAD COUNTERS. SCREW	4005337068



heupel Reinigungstechnik GmbH

Gottlieb Daimler Str. 6
88214 Ravensburg

email: info@heupel-gmbh.de
www.heupel-gmbh.de

Tel: (049) 0751 - 35905-3
Fax: (049) 0751 - 35905-59

Shop: www.heupel-shop.de

Heupel - Reinigungstechnik - Beratung, Verkauf, Service, alles aus einer Hand.