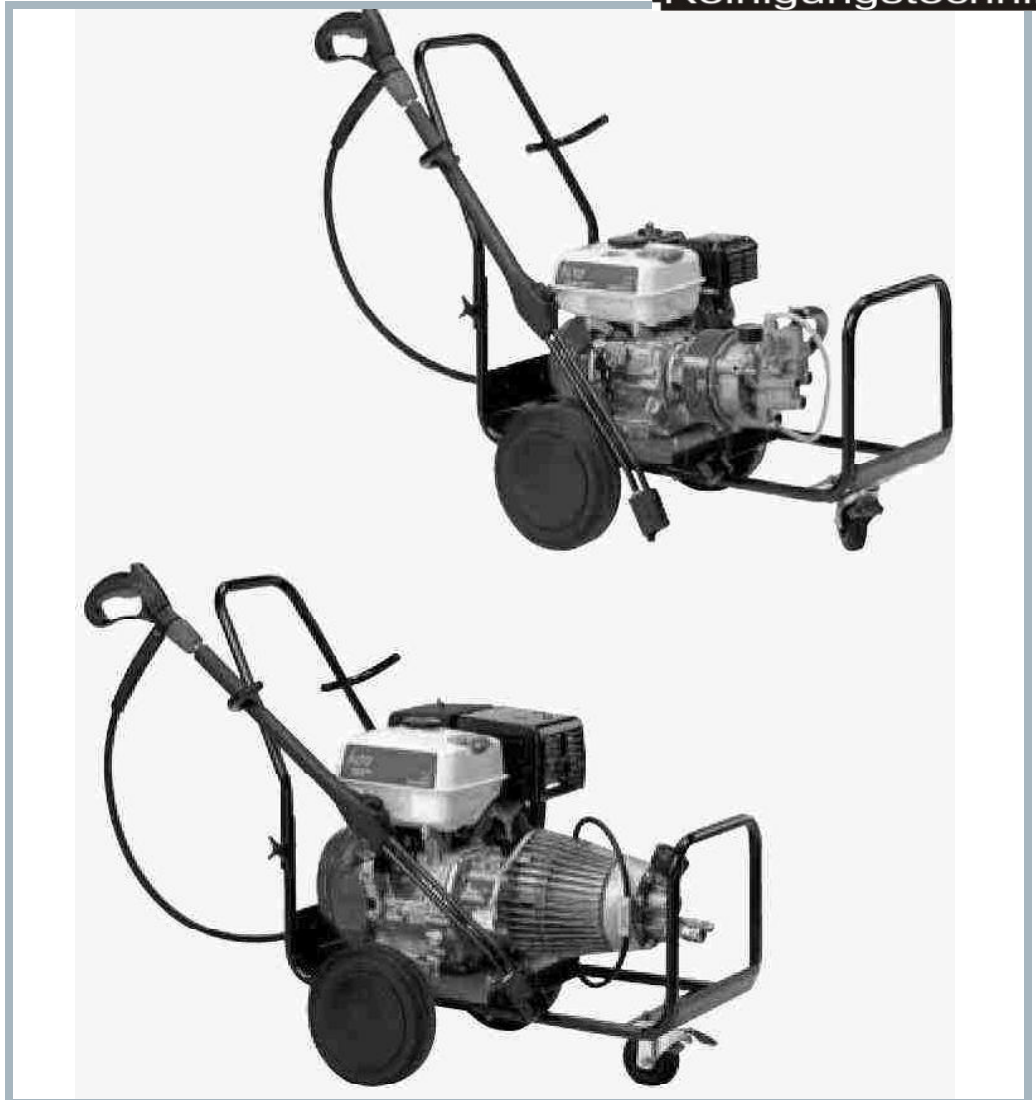


TRITON PE, POSEIDON PE



Model:
POSEIDON 1100 PE
TRITON 1000 PE
TRITON 800 PE



Part List US-English

13-04-2009

Nilfisk
ALTO
Why Compromise



heupel **Reinigungstechnik GmbH**

Gottlieb Daimler Str. 6
88214 Ravensburg
email: info@heupel-gmbh.de
www.heupel-gmbh.de

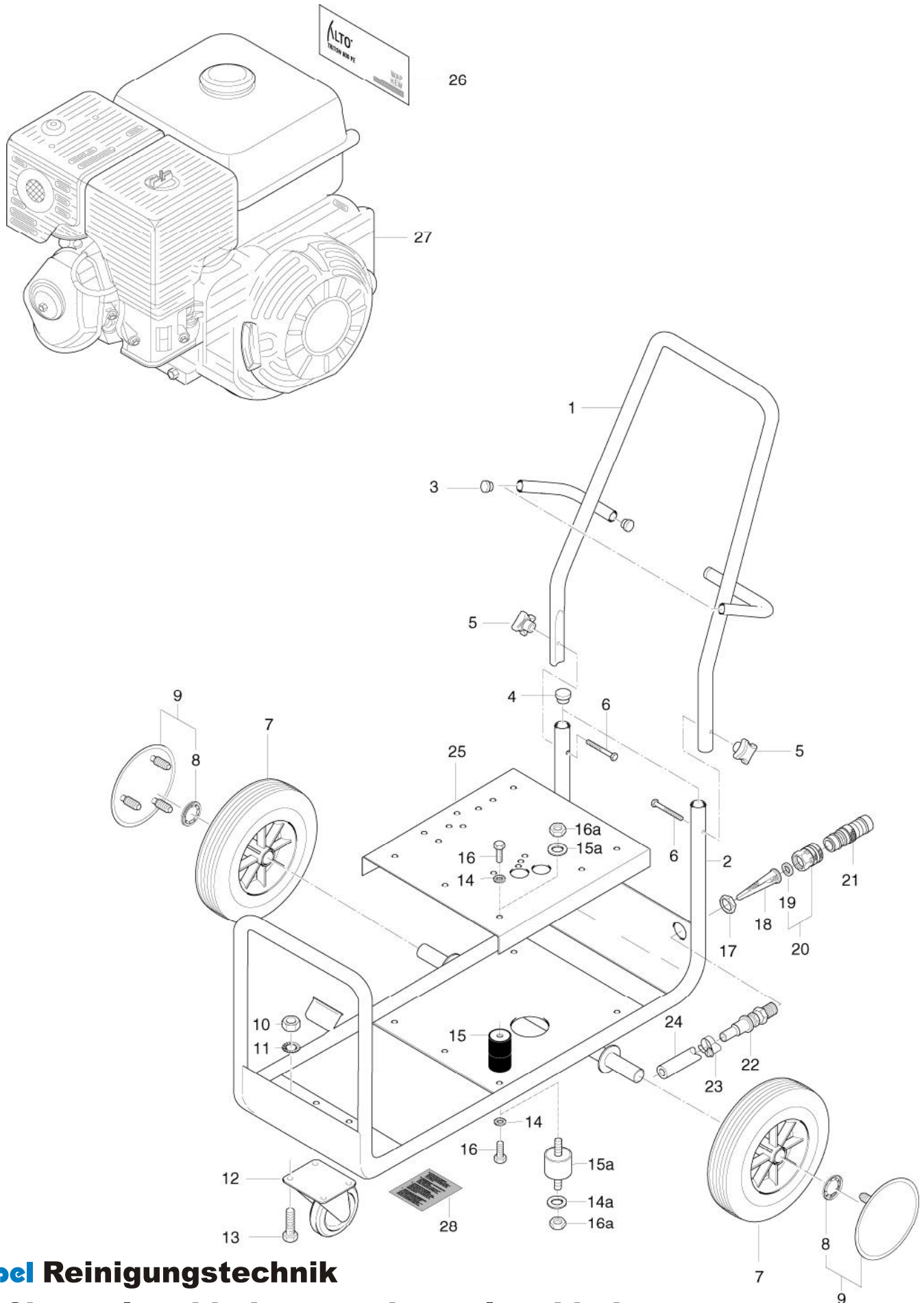
Tel. (+49) 0751-35905-3
Fax. (+49) 0751-3590-59

Shop: www.nilfisk-alto-shop.eu

Table of Contents

TRITON PE, POSEIDON PE

Motor and chassis	3
Pump TRITON PE	5
Pump POSEIDON PE (a)	8
Pump POSEIDON PE (b)	10
Pump POSEIDON PE (c)	12
Default accessories	14



Motor and chassis

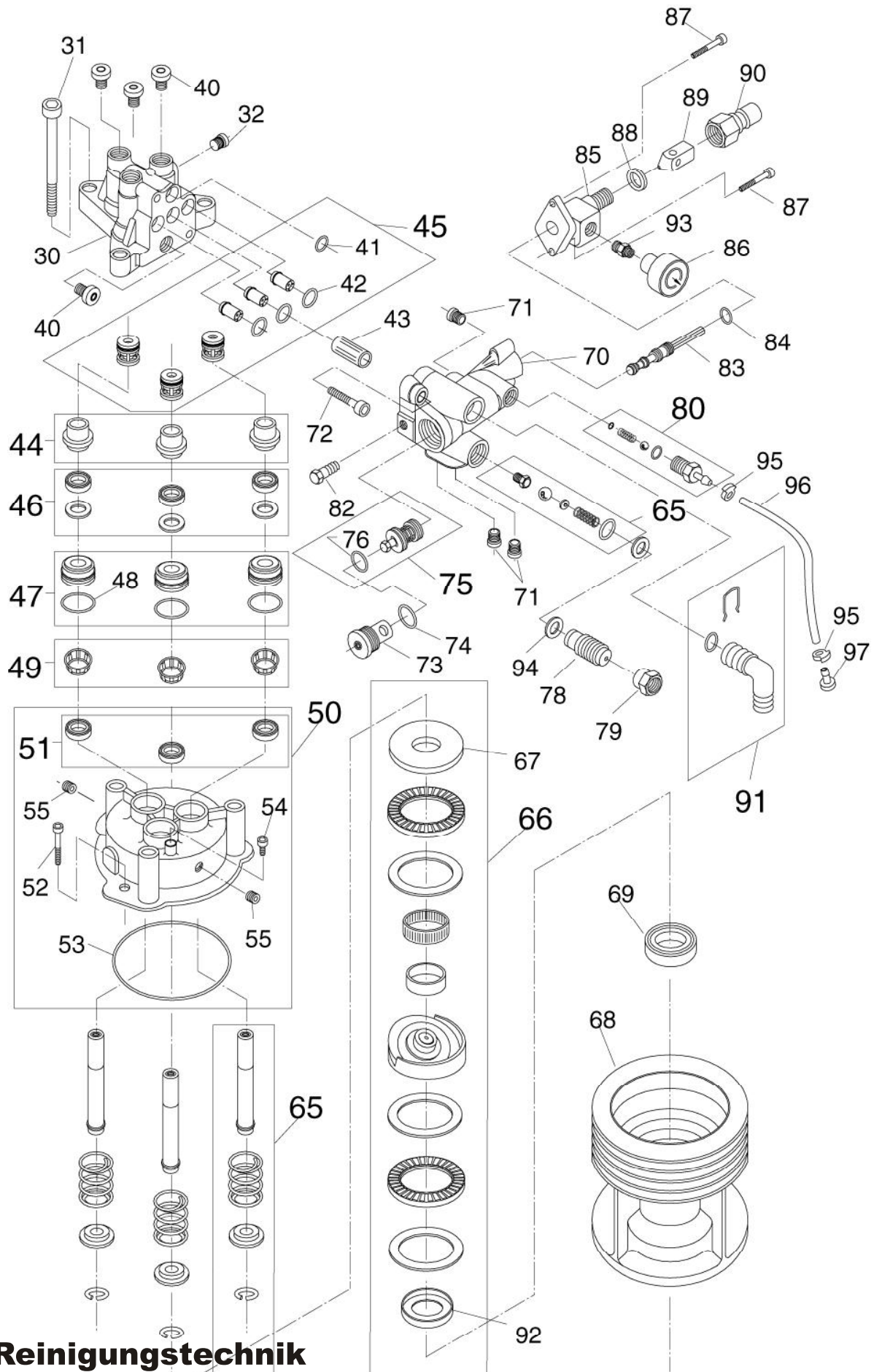
TRITON PE, POSEIDON PE

13-04-2009

Part List ID
TRITONPE02

4

Pos	Part no.	Qty	Description	EAN
1	6160937	1	CLAMP REAR	5701715075
2	6162938	1	CHASSIS	5701715076
3	4600664	4	FERRULE Ø19	5701715046
4	4600559	2	FERRULE Ø22	5701715046
5	4000279	2	STAR HANDLE	5701715045
6	6100123	2	SCREW	5701715062
7	301000041	2	WHEEL Ø250X25 RUBBER	4005337006
8	1803873	2	LOCK RING Ø 25	5701715028
9	102004266	2	HUB CAP COMPL.	5701715296
10	1803725	4	HEXAGON NUT M8	5701715028
11	1810274	4	WASHER M8	5701715030
12	2012144	1	STEERABLE WHEEL W. BRAKE	5701715032
13	1802909	4	SCREW M8X16	5701715028
14	1800796	8	WASHER M8	5701715027
15	101814696	4	VIBRATION DAMPER	5701715296
16	1810266	8	SCREW M8X12	5701715030
17	1800341	1	LOCK NUT 3/4IN	5701715026
18	6100941	1	FILTER	5701715000
19	3001237	1	GASKET Ø24.5XØ16X3	5701715037
20	1602945	1	QUICK COUPLING 3/4IN W/GASKET	5701715024
21	1600659	1	LP NIPPLE F. Q.-COUPLING 3/4IN	5701715023
22	6100937	1	FILTER HOUSING	5701715063
23	8298	2	HOSE CLIP 16-27	4005337082
24	5206230	1	HOSE 5/8IN (L=740) *	5701715296
25	6162909	1	MOTORPLATE	5701715075
26	106162995	1	LABEL TRITON 800PE	TRITON 800 PE 5701715296
26	106162996	1	LABEL TRITON 1000PE	TRITON 1000PE 5701715296
26	106162997	1	LABEL POSEIDON 1100PE	POSEIDON 1100PE 5701715296
26	106162999	1	LABEL F. POSEIDON 1200PE PLUS	POSEIDON 1200PE PLUS 5701715421
27	101119409	1	MOTOR MOUNTED 03/C3KB	11HP 5701715289
27	103821834	1	MOTOR COMPL. HONDA GX 5.5	5,5HP 5701715417
27	103821835	1	MOTOR COMPL. HONDA GX 11	11HP 5701715417
27	103821836	1	MOTOR GX 390K1 LXQ4-OH HONDA	13HP 5701715413
28	106162998	1	LABEL SUCTION MODE	4005337134
14A	1800317	10	WASHER M10	5701715026
15A	1801240	2	RUBBER SUSPENSION	5701715027
16A	1801257	10	LOCK NUT M10 X 1	5701715027



Pos	Part no.	Qty	Description	EAN
30	6187132	1	CYLINDER HEAD	5701715277
31	1813393	3	SCREW M10X100 DIN912 8.8	5701715030
32	6122313	1	PLUG WITH O-RING	5701715003
40	6180906	4	PLUG WITH O-RING	5701715077
41	3001807	1	O-RING 15X1.5 NITRIL 70 SH	5701715038
42	3001070	3	O-RING Ø13.1X1.6	5701715037
43	6120624	1	SPACER	5701715067
44	6183050	1	SPACER 3 PCS.	5701715271
45	1119209	1	VALVE SYSTEM REP.KIT	5701715019
46	1119212	1	BACK-UP RING/U-SEAL REP.KIT	5701715019
47	6180910	3	THRUST COLLAR COMPL.	5701715077
48	3004009	3	O-RING 30.0X2.0 NITRIL 70 SH	5701715038
49	6183051	1	SPACER 3 PCS.	5701715271
50	6180947	1	CYLINDER BLOCK W. RUBBER SEAL	5701715240
51	1117642	1	U-SEAL 3 PCS.	5701715278
52	1814573	2	SCREW M6X35	5701715117
53	3003886	1	O-RING 120.4X1.78 NITRIL 70 SH	5701715038
54	6122313	1	PLUG WITH O-RING	5701715003
55	1602325	2	PLUG 1/4 INCH	5701715024
65	1119202	1	CERAMIC PISTON REP.KIT	5701715019
66	101119722	1	WOBBLE DISC/BEARING 800PE KIT	5701715311
66	101119723	1	WOBBLE DISC/BEARING 1000PE KIT	5701715311
67	6182496	1	BEARING TRACK	5701715207
68	6181494	1	CONNECTING PIECE	5701715208
68	6181495	1	SPACER	5701715296
69	3001146	1	OIL GASKET GACO VITON	5701715037
70	6181477	1	VALVE HOUSING	5701715231
71	6180913	3	HOLE PLUG W. O-RING	5701715077
72	1803345	2	SCREW M8X30	5701715028
73	6180650	1	PLUG	5701715077
74	3001963	1	O-RING 22.0X3.0 NITRIL 70 SH	5701715038
75	6180648	1	PISTON COMPL.	5701715259
76	3003860	1	O-RING 13.95X2.62 NITRIL 70SH	5701715038
77	1118512	1	SAFETY VALVE REP.KIT	5701715019
78	6100940	1	ADJUSTMENT SCREW	5701715063
79	6100928	1	LOCK NUT	5701715063
80	1119406	1	NON RETURN VALVE REP.KIT	5701715251
82	6181542	1	PLUG F. PRESSURE GAUGE	5701715077
83	6180916	1	INJECTOR NOZZLE W. O-RING	5701715077
84	3001674	1	O-RING 19.2X3.0 NITRIL 70SH	5701715038
85	6182497	1	OUTLET PIPE	5701715207
86	3601263	1	PRESSURE GAUGE 0-315 BAR WIKA	5701715040

Pump TRITON PE

TRITON PE, POSEIDON PE

13-04-2009

Part List ID
TRITONPE04

7

Pos	Part no.	Qty	Description	EAN
87	1813484	2	SCREW INSEX M6X16	5701715030
88	1801075	1	PACKING RING Ø 23,8X Ø 17,2	5701715027
89	6101038	1	PISTON	5701715063
90	1600493	1	ERGO COUPLING MALE 3/8	5701715023
90	1603101	1	ERGO COUPLING MALE S.S 3/8	5701715024
91	1119210	1	INLET ELBOW REP.KIT	5701715019
92	6182498	1	SPACING RING	5701715296
93	1603422	1	THREADED CONNECTION	5701715024
94	1807999	2	WASHER M5 5.3X10X1	5701715030
95	1810084	2	HOSE CLIP Ø10.8/12.3	5701715007
96	5206636	1	HOSE 6/10	5701715046
97	6400240	1	FILTER	5701715097

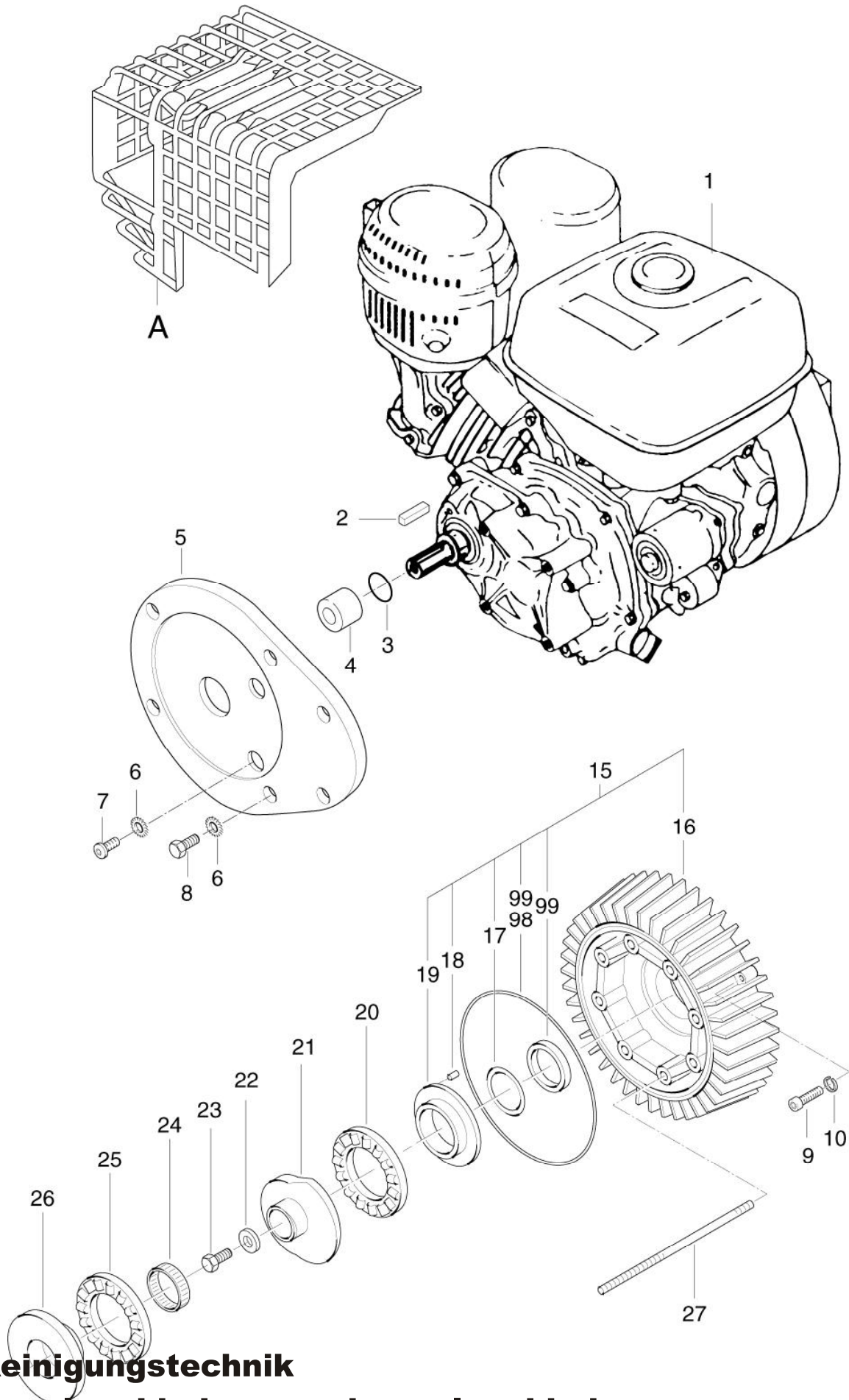
Pump POSEIDON PE (a)

TRITON PE, POSEIDON PE

13-04-2009

Part List ID
TRITONPE06

8



Pump POSEIDON PE (a)

TRITON PE, POSEIDON PE

13-04-2009

Part List ID
TRITONPE06

9

Pos	Part no.	Qty	Description		EAN
1	101119409	1	MOTOR MOUNTED 03/C3KB	11HP	5701715289
1	103821836	1	MOTOR GX 390K1 LXQ4-OH HONDA	13HP	5701715413
2	6160608	1	SPRING		5701715075
3	3001559	1	O-RING 23.47X2.62 NITRIL 70SH		5701715038
4	6160607	1	TIGHTENINGRING		5701715075
5	6162601	1	ATTACHMENT PLATE		5701715075
6	1810274	2	WASHER M8		5701715030
7	1803949	2	SCREW M8 X 20		5701715028
8	1800150	2	SET SCREW M8X30		5701715026
9	1803337	2	SCREW M8X25		5701715028
A	6160613	1	MOTOR SHIELD		5701715296
10	1801182	4	SPRING WASHER M8		5701715027
15	6162400	1	FRONT BEARING COVER COMPL.		5701715075
16	6162400	1	FRONT BEARING COVER COMPL.		5701715075
17	6100995	1	WASHER		5701715063
18	6100996	1	GUIDE PIN		5701715063
19	107120703	1	BEARING TRACK		5701715296
20	3200615	1	AXIAL ROLLER BEARING		5701715039
21	107120717	1	WOBBLE DISC 13	NO.13	5701715295
21	107120718	1	WOBBLE DISC 15	NO.15	5701715295
22	6162603	1	PRE-NOZZLE F.SOFTBLASTING		5701715075
23	2753	1	SCREW M8X20		4005337027
24	3200664	1	NEEDLE BEARING		5701715039
25	3200615	1	AXIAL ROLLER BEARING		5701715039
26	107120704	1	BEARING TRACK		5701715296
27	6301368	8	STUDS		5701715092
95	1118512	1	SAFETY VALVE REP.KIT		5701715019
96	1119195	1	REP.KIT F. VALVE SYSTEM		5701715019
97	1119571	1	GASKETS REDUCED REP.KIT		5701715020
98	1119820	1	OIL SEAL 03/C3 REP.KIT		5701715115
99	1119570	1	GASKETS C3 REP.KIT		5701715020

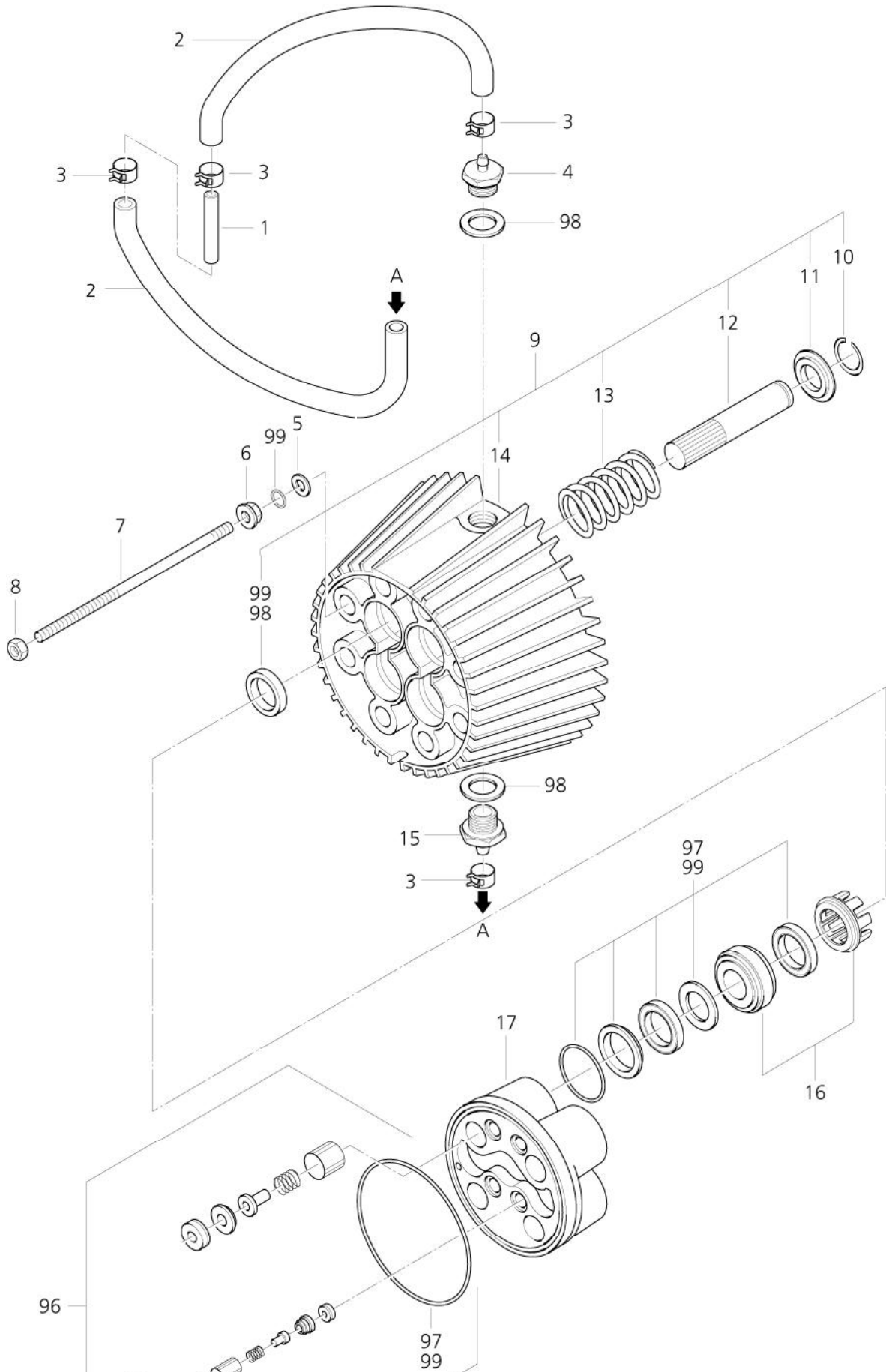
Pump POSEIDON PE (b)

TRITON PE, POSEIDON PE

13-04-2009

Part List ID
TRITONPE08

10



Pump POSEIDON PE (b)

TRITON PE, POSEIDON PE

13-04-2009

Part List ID
TRITONPE08

11

Pos	Part no.	Qty	Description	EAN
1	102406545	1	CONNECTING PIECE	5701715296
2	5226220	1	HOSE D6X2,5	5701715208
3	1814679	4	HOSE CLIP	5701715338
4	107120313	1	HOSE-TAIL Ø6	5701715296
5	6100718	8	WASHER 10X16X1	5701715063
6	6100719	8	THRUST COLLAR	5701715063
7	6301368	8	STUDS	5701715092
8	1800465	8	NUT M10	5701715026
9	6300071	1	CYLINDER BLOCK COMP.	5701715088
10	1802529	4	CIRCLIP	5701715027
11	6100666	4	RING F. RETURN SPRING	5701715008
12	6301166	4	CERAMIC PISTON C3	5701715091
13	102602517	4	RETURN SPRING C3	5701715317
14	6100610	1	CYLINDER BLOCK	5701715063
15	107120314	1	HOSE-TAIL Ø6	5701715296
16	107120700	1	THRUST COLLAR BACK-UP RING	5701715296
17	107120701	1	CYLINDER HEAD	5701715418
96	1119195	1	REP.KIT F. VALVE SYSTEM	5701715019
97	1119571	1	GASKETS REDUCED REP.KIT	5701715020
98	1119820	1	OIL SEAL 03/C3 REP.KIT	5701715115
99	1119570	1	GASKETS C3 REP.KIT	5701715020

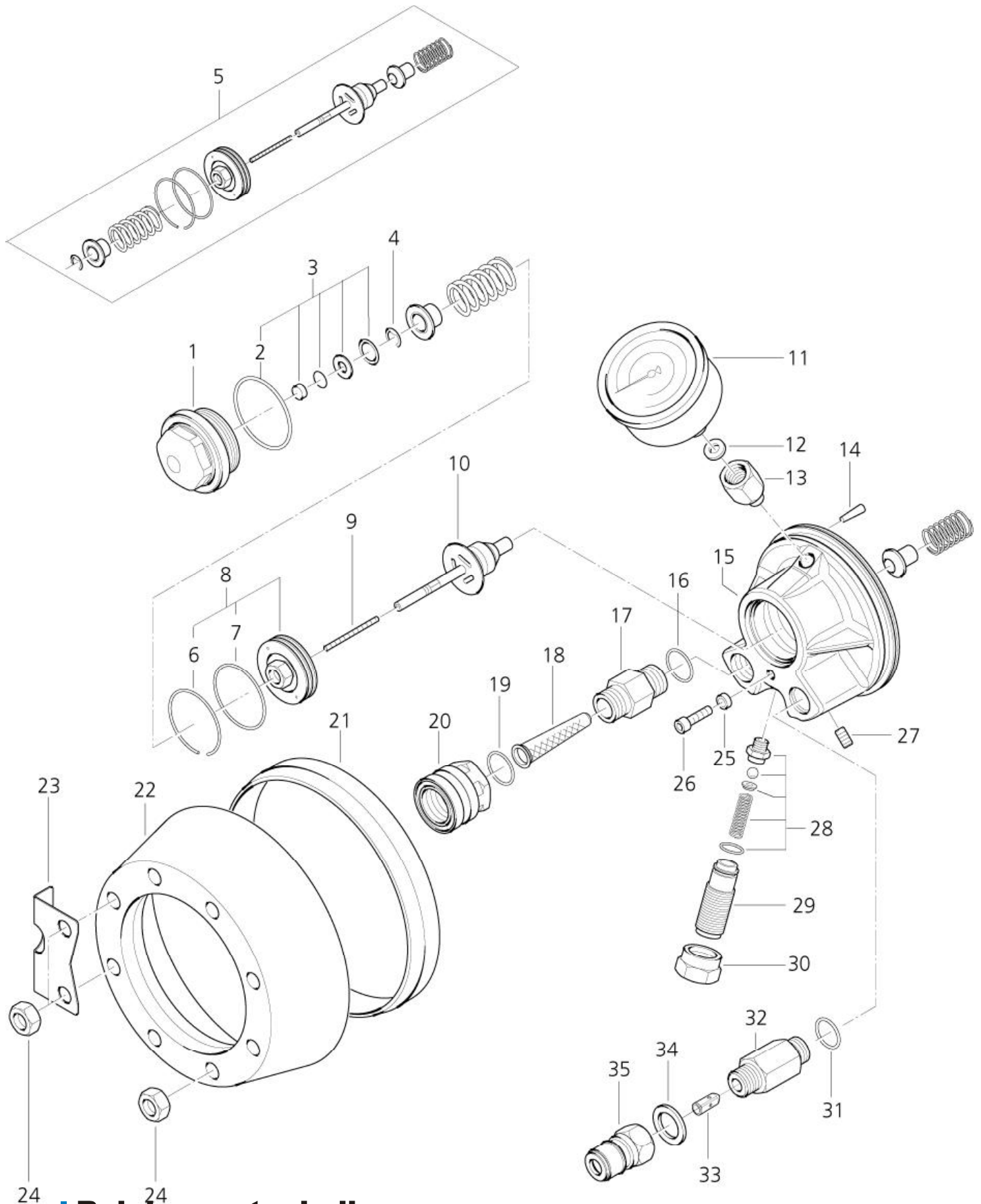
Pump POSEIDON PE (c)

TRITON PE, POSEIDON PE

13-04-2009

Part List ID
TRITONPE10

12



Pump POSEIDON PE (c)

TRITON PE, POSEIDON PE

13-04-2009

Part List ID
TRITONPE10

13

Pos	Part no.	Qty	Description	EAN
1	107120500	1	PLUG G1 1/4 54X35	5701715296
2	3001179	1	O-RING 39.6X2.4	5701715037
3	101119410	1	REP. KIT GASKETS	5701715296
4	6101069	1	SAFETY DISK	5701715063
5	1118520	1	REP.KIT BY-PASS VALVE	POSEIDON 1200PE PLUS 5701715019
5	1119315	1	REP.KIT BYPASS VALVE	POSEIDON 1100PE 5701715020
6	6101061	1	PISTONRING	5701715063
7	3001716	1	O-RING Ø 35,1X1,6	5701715038
8	6100925	1	PISTON F. BY-PASS VALVE	POSEIDON 1200PE PLUS 5701715063
8	6228554	1	PISTON COMPL.	POSEIDON 1100PE 5701715086
9	2600286	1	SPRING DM-2.9	5701715035
10	6101784	1	VALVE CONE COMP.	5701715064
11	3600996	1	PRESSURE GAUGE	5701715040
12	1602127	1	RING FOR PRESSURE GAUGE	5701715024
13	107120603	1	NIPPLE	5701715296
14	6100996	1	GUIDE PIN	5701715063
15	6101042	1	VALVE COVER	5701715063
16	3000072	1	O-RING 10.1X1.6 NITRIL 70SH	5701715037
17	107120600	1	FILTER HOUSING POSEIDON	5701715296
18	6100941	1	FILTER	5701715000
19	3000320	1	O-RING 20X3 NITRIL	5701715037
20	1602945	1	QUICK COUPLING 3/4IN W/GASKET	5701715024
21	6301392	1	RING FOR MOTOR-PUMP	5701715092
22	6100602	1	RETAINING RING	5701715008
23	107120606	1	FIXTURE F OILHOSE	5701715296
24	1800465	8	NUT M10	5701715026
25	6100985	1	LOCK WASHER	5701715063
26	1802636	1	SCREW M6X12	5701715028
27	1602333	1	PLUG 1/8	5701715024
28	1118512	1	SAFETY VALVE REP.KIT	5701715019
29	6100940	1	ADJUSTMENT SCREW	5701715063
30	6100928	1	LOCK NUT	5701715063
31	3000064	1	O-RING 14.1X1.6 NITRIL 70SH	5701715037
32	6101018	1	SOCKET FOR QUICK COUPLING	5701715063
33	6101038	1	PISTON	5701715063
34	1801075	1	PACKING RING Ø 23,8X Ø 17,2	5701715027
35	1600493	1	ERGO COUPLING MALE 3/8	5701715023
35	1603101	1	ERGO COUPLING MALE S.S 3/8	STAINLESS STEEL 5701715024
96	1119195	1	REP.KIT F. VALVE SYSTEM	5701715019
97	1119571	1	GASKETS REDUCED REP.KIT	5701715020
98	1119820	1	OIL SEAL 03/C3 REP.KIT	5701715115
99	1119570	1	GASKETS C3 REP.KIT	5701715020

Default accessories

TRITON PE, POSEIDON PE

13-04-2009

Part List ID
TRITONPE12

14

No Drawing For Part List

Default accessories

TRITON PE, POSEIDON PE

13-04-2009

Part List ID
TRITONPE12

15

Pos	Part no.	Qty	Description		EAN
1	101119741	1	NOZZLE 0500 INDICATION RING YELLOW	TRITON 800 PE, 1000 PE, POSEIDON 1100PE	5701715324
1	101119744	1	NOZZLE + INDICATION RING 0600	POSEIDON 1200 PE	5701715324
1	106402121	1	TORNADO 3000 LANCE 920 W/O NOZZLE		5701715324
1	106402190	1	SPRAY HANDLE W. SWIVEL LOCK		5701715325