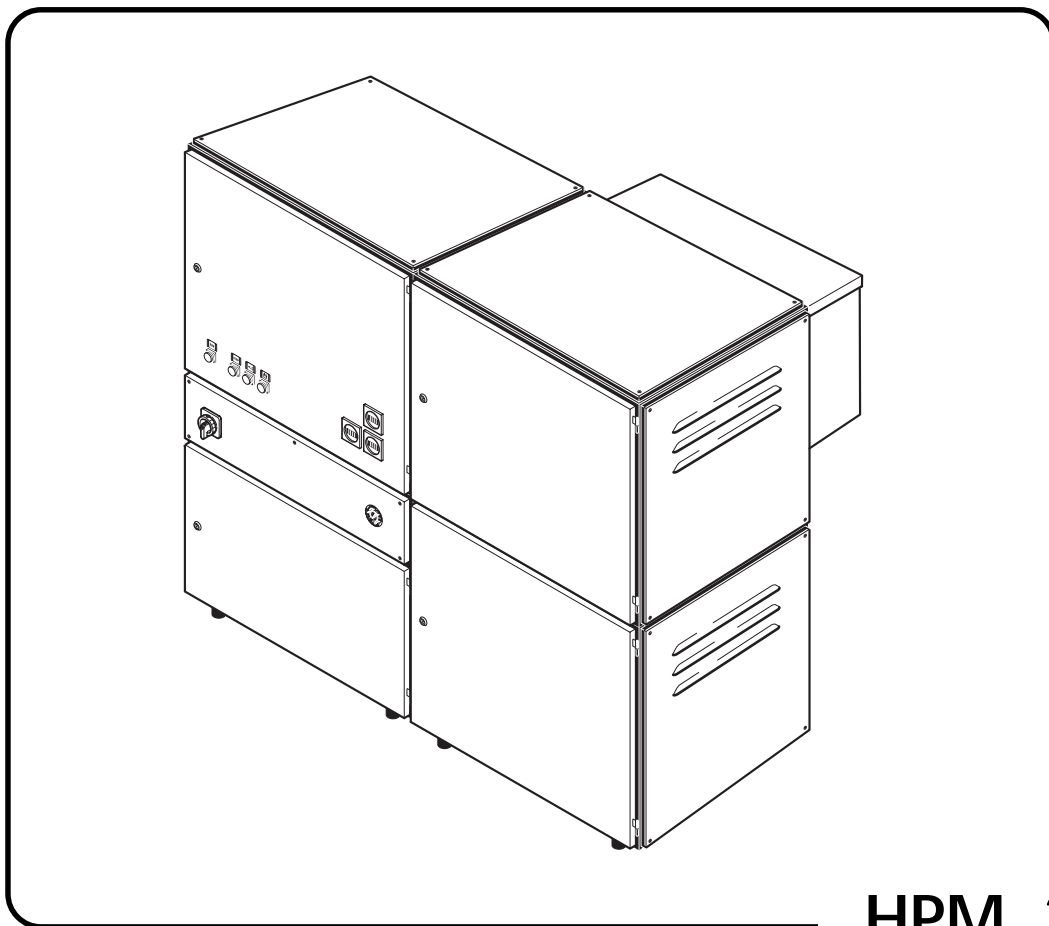




Ersatzteilliste
Spare Parts List
Pièces détachées

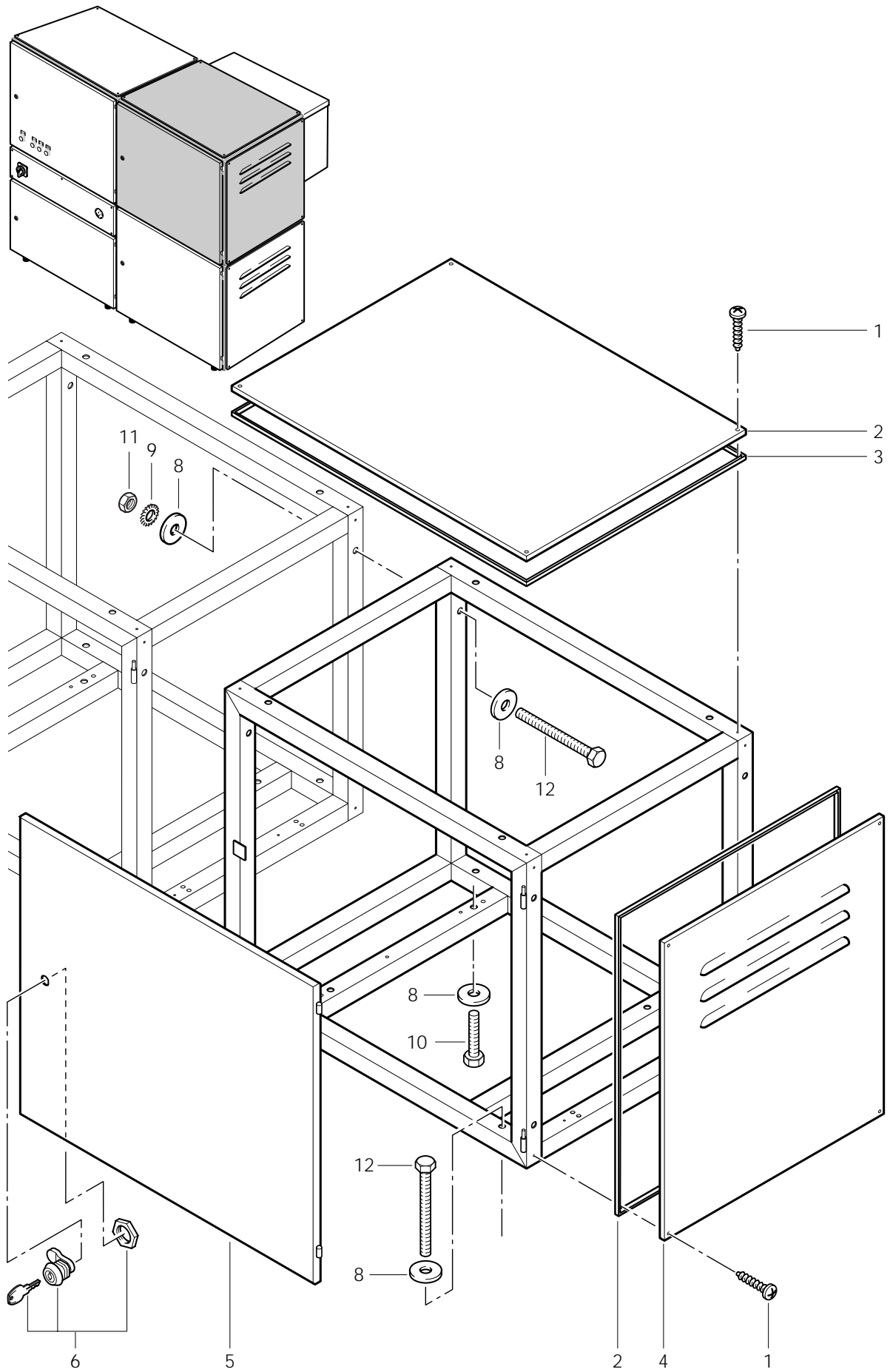


HPM 3/30

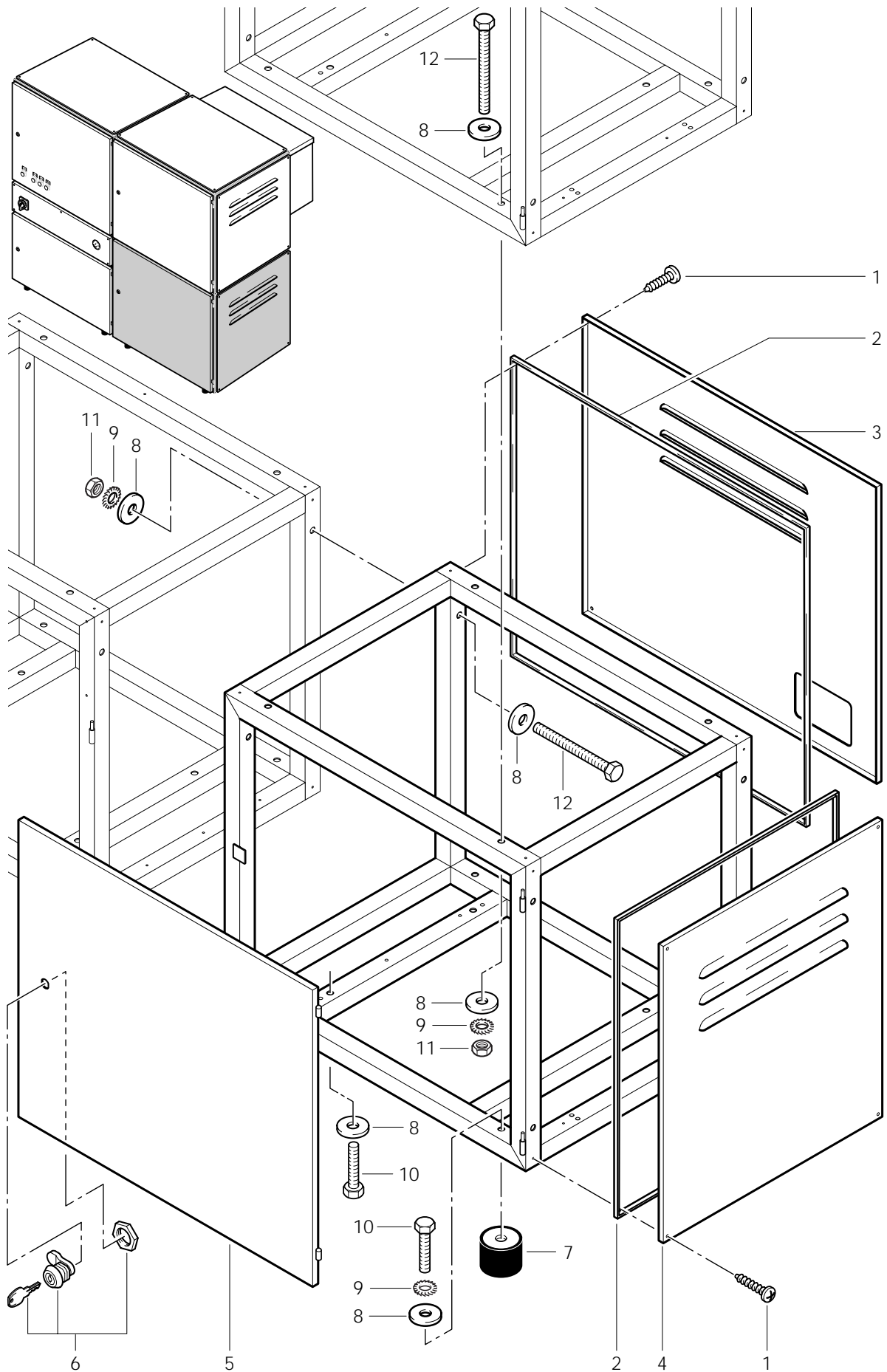
HPM 3/39

HPM 3/54

HPM 3/30
HPM 3/39
HPM 3/54

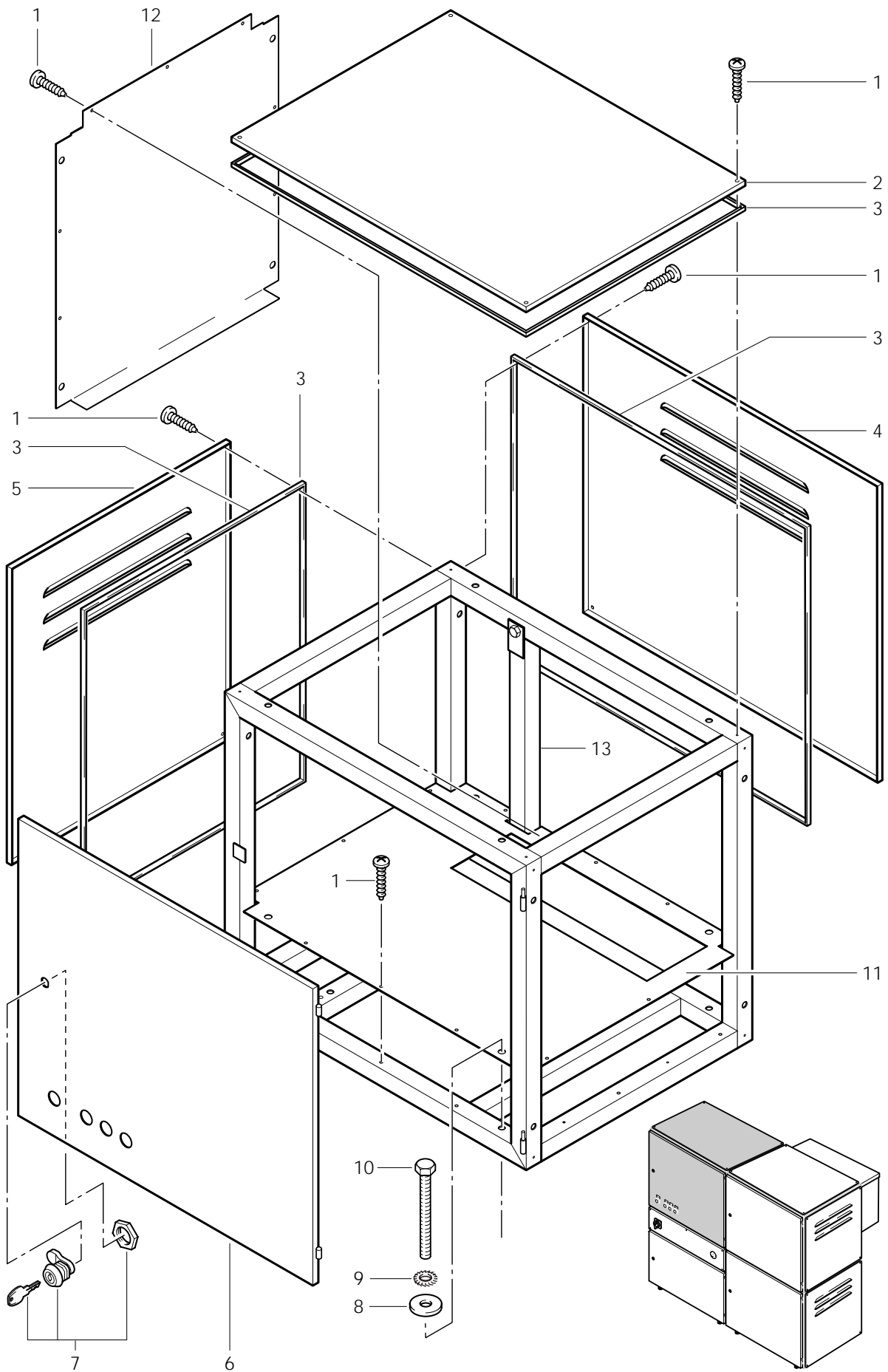


| POS. | NO. | BEZEICHNUNG | DESCRIPTION | DESIGNATION |
|------|---|-----------------------|------------------------------|-------------------------------|
| 1 | 5186 | Schraube BI- 4,8x25 | Sheet metal screw 4,8x25 DII | Vis autotaraudeuse 4,8x25 DII |
| 2 | 66049 | Verkleidung | Casing | |
| ◇ | 3 | 40178 | Profilgummi | Gasket |
| 4 | 66046 | Verkleidung | Casing | |
| 5 | 66052 | Tür | Door | |
| 6 | 31981 | Schloß | Lock And Key | |
| 8 | 4827 | Scheibe 10,5x2,5 | Washer 10,5x2,5 A9021 | Rondelle 10,5x2,5 A9021 |
| 9 | | Fächerscheibe A 10,5 | Serrated lock washer A 10,5 | |
| 10 | | Skt. Schraube M10x 50 | Hexagon Bolt M10x 50 | |
| 11 | | Mutter M10 | Hexagon nut M10 DIN 934 | Ecrou 6 pans M10 DIN 934 |
| 12 | 6464 | Skt. Schraube M10x100 | Hexagon cap screw M10x100 | Vis 6 pans M10x100 DIN 933 |
| ◇ | ACHTUNG! - Meterware - Bitte bei Bestellung gewünschte Länge angeben! | | | |
| ◇ | ATTENTION! - Lengths in metres - Please indicate required length when ordering! | | | |
| ◇ | ATTENTION! - Longueurs par mètre - Préciser la longueur à la commande! | | | |

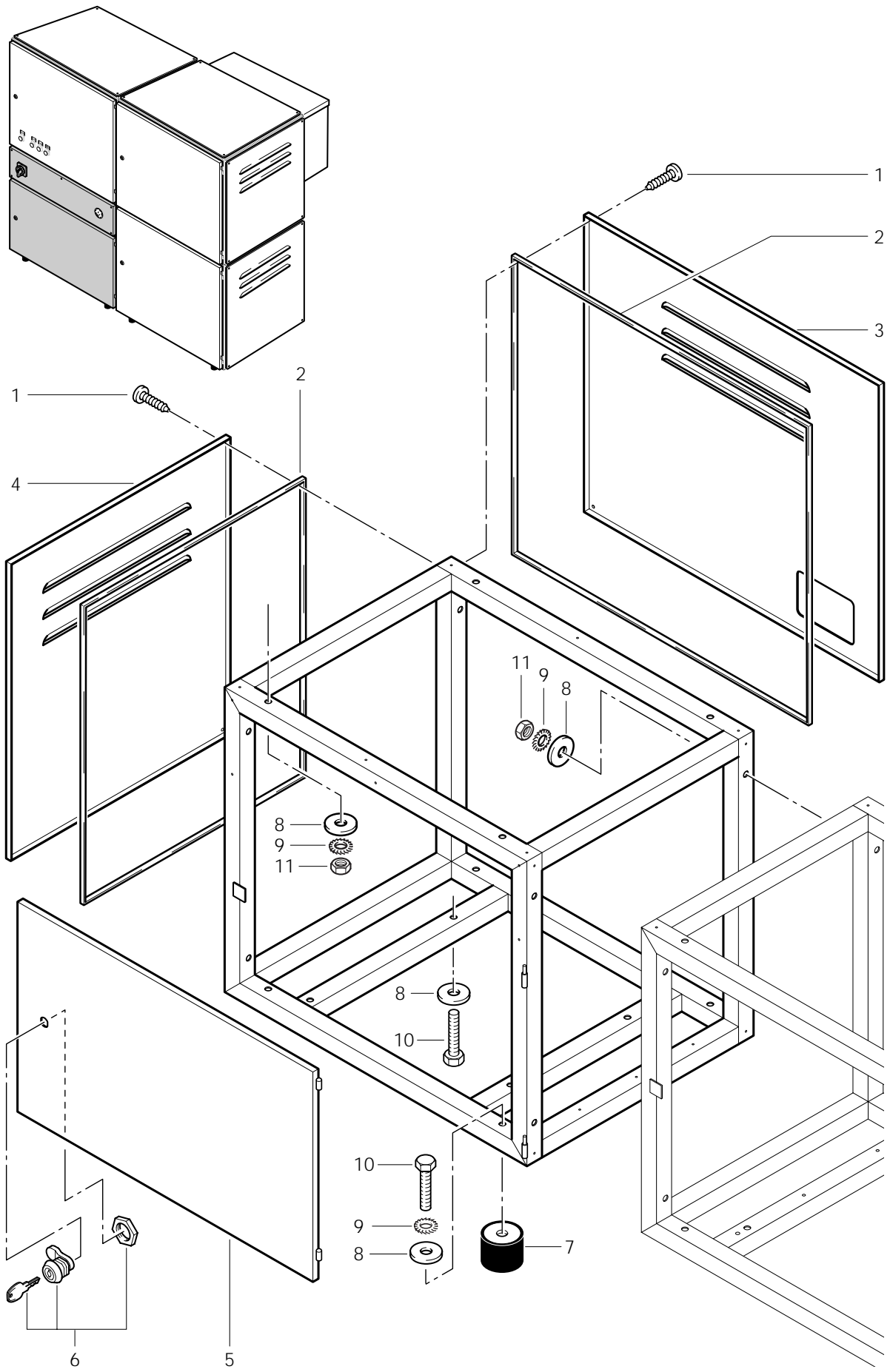


| POS. | NO. | BEZEICHNUNG | DESCRIPTION | DESIGNATION |
|------|---|-----------------------|-----------------------------|---------------------------------|
| 1 | 5186 | Schraube BI- 4,8x25 | Sheet metal screw 4,8x25 | DI Vis autotaraudeuse 4,8x25 DI |
| ◇ | 2 | 40178 | Profilgummi | Gasket |
| 3 | 66047 | Verkleidung | Casing | |
| 4 | 66046 | Verkleidung | Casing | |
| 5 | 53429 | Tür | | |
| 6 | 31981 | Schloß | Lock And Key | |
| 7 | 10737 | Puffer | Rubber Metal Buffer | |
| 8 | | Scheibe 10,5x2,5 | Washer 10,5x2,5 A9021 | Rondelle 10,5x2,5 A9021 |
| 9 | | Fächerscheibe A 10,5 | Serrated lock washer A 10,5 | |
| 10 | | Skt. Schraube M10x 50 | Hexagon Bolt M10x 50 | |
| 11 | | Mutter M10 | Hexagon nut M10 DIN 934 | Ecrou 6 pans M10 DIN 934 |
| 12 | 6464 | Skt. Schraube M10x100 | Hexagon cap screw M10x100 | Vis 6 pans M10x100 DIN 933 |
| ◇ | ACHTUNG! - Meterware - Bitte bei Bestellung gewünschte Länge angeben! | | | |
| ◇ | ATTENTION! - Lengths in metres - Please indicate required length when ordering! | | | |
| ◇ | ATTENTION! - Longueurs par mètre - Préciser la longueur à la commande! | | | |

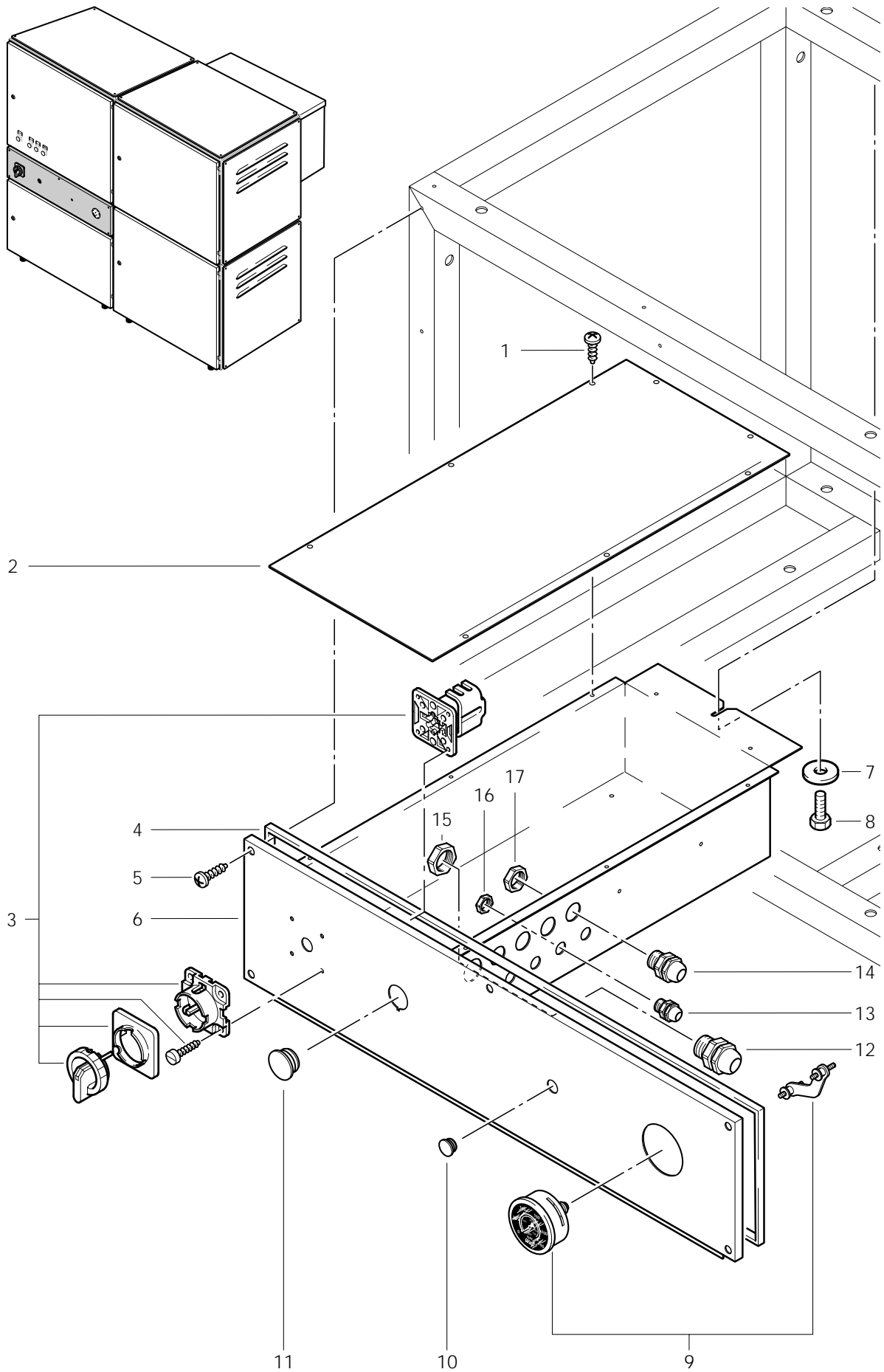
HPM 3/30
HPM 3/39
HPM 3/54



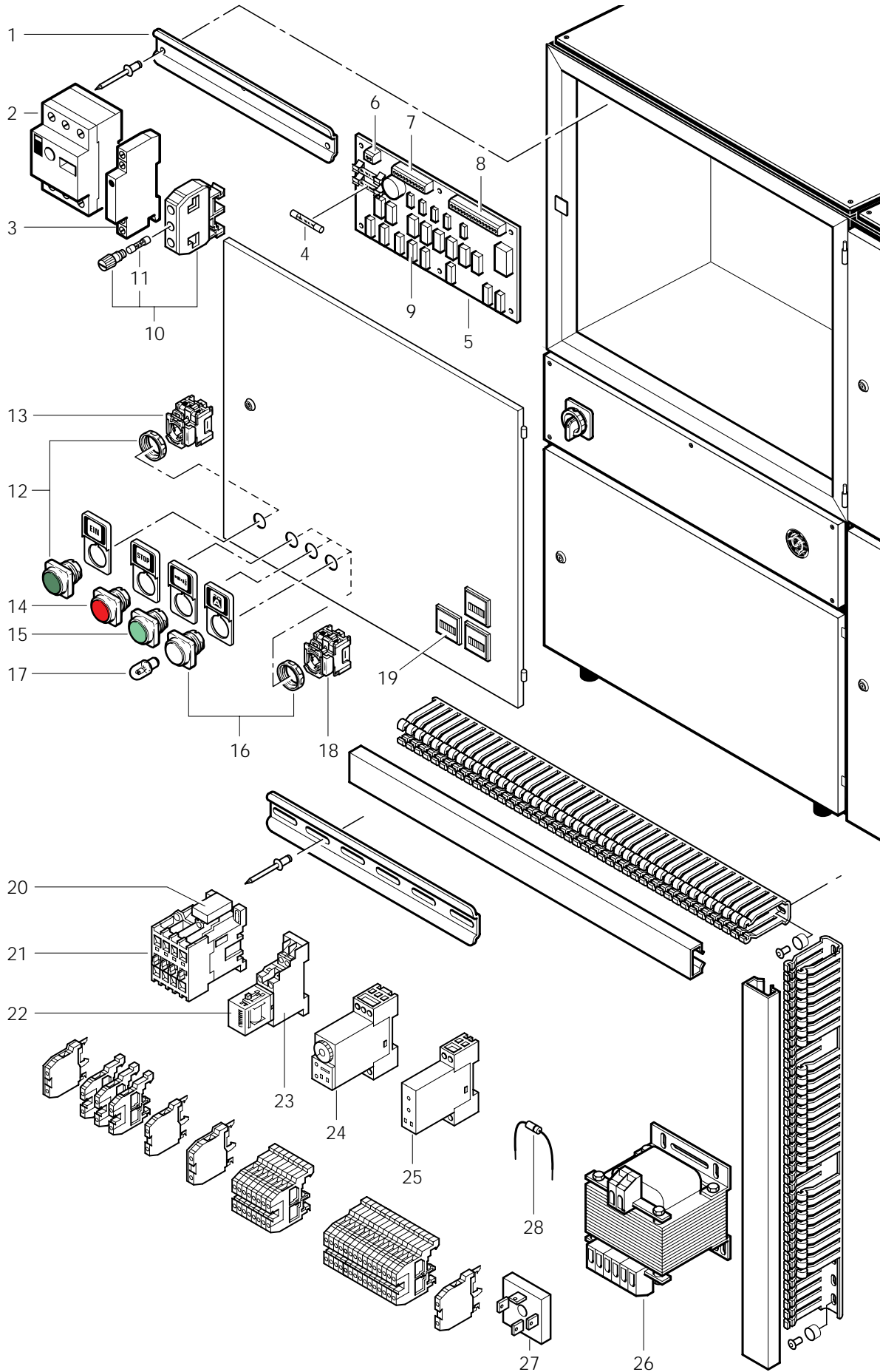
| POS. | NO. | BEZEICHNUNG | DESCRIPTION | DESIGNATION |
|------|-------|-----------------------|---|-------------------------|
| 6 | 53429 | Tür | | |
| 7 | 31981 | Schloß | Lock And Key | |
| 8 | | Scheibe 10,5x2,5 | Washer 10,5x2,5 A9021 | Rondelle 10,5x2,5 A9021 |
| 9 | | Fächerscheibe A 10,5 | Serrated lock washer A 10,5 | |
| 10 | 6464 | Skt. Schraube M10x100 | Hexagon cap screw M10x10 Vis 6 pans M10x100 DIN 933 | |
| 11 | 23084 | Bodenblech | Base | Basis |



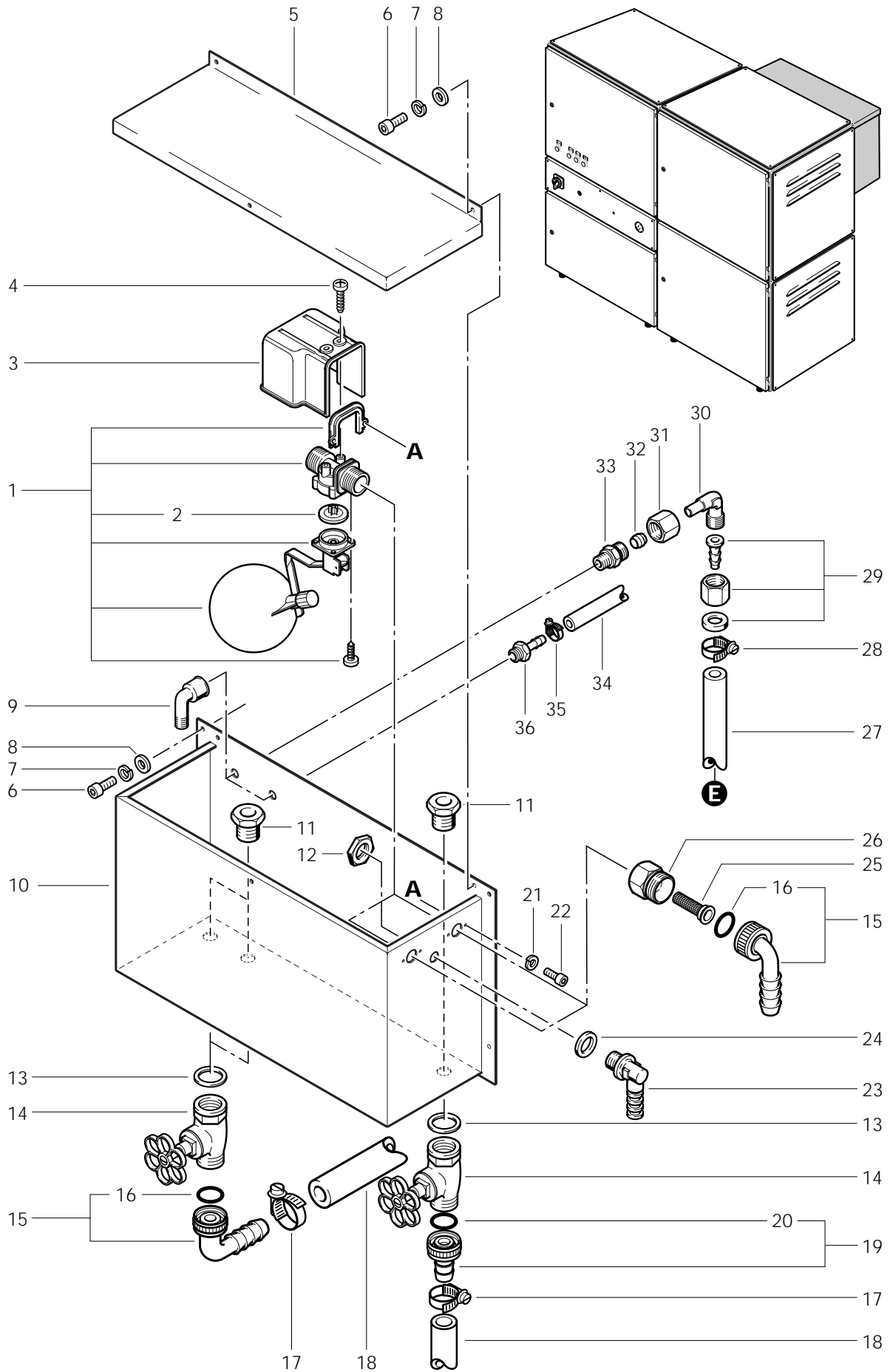
| POS. | NO. | BEZEICHNUNG | DESCRIPTION | DESIGNATION |
|------|---|-----------------------|-----------------------------|-------------------------------|
| 1 | 5186 | Schraube BI- 4,8x25 | Sheet metal screw 4,8x25 D | Vis autotaraudeuse 4,8x25 DII |
| ◇ | 2 | 40178 | Profilgummi | Gasket |
| 3 | 66047 | Verkleidung | Casing | |
| 4 | 66046 | Verkleidung | Casing | |
| 5 | 53429 | Tür | | |
| 6 | 31981 | Schloß | Lock And Key | |
| 7 | 10737 | Puffer | Rubber Metal Buffer | |
| 8 | | Scheibe 10,5x2,5 | Washer 10,5x2,5 A9021 | Rondelle 10,5x2,5 A9021 |
| 9 | | Fächerscheibe A 10,5 | Serrated lock washer A 10,5 | |
| 10 | | Skt. Schraube M10x 50 | Hexagon Bolt M10x 50 | |
| 11 | | Mutter M10 | Hexagon nut M10 DIN 934 | Ecrou 6 pans M10 DIN 934 |
| ◇ | ACHTUNG! - Meterware - Bitte bei Bestellung gewünschte Länge angeben! | | | |
| ◇ | ATTENTION! - Lengths in metres - Please indicate required length when ordering! | | | |
| ◇ | ATTENTION! - Longueurs par mètre - Préciser la longueur à la commande! | | | |



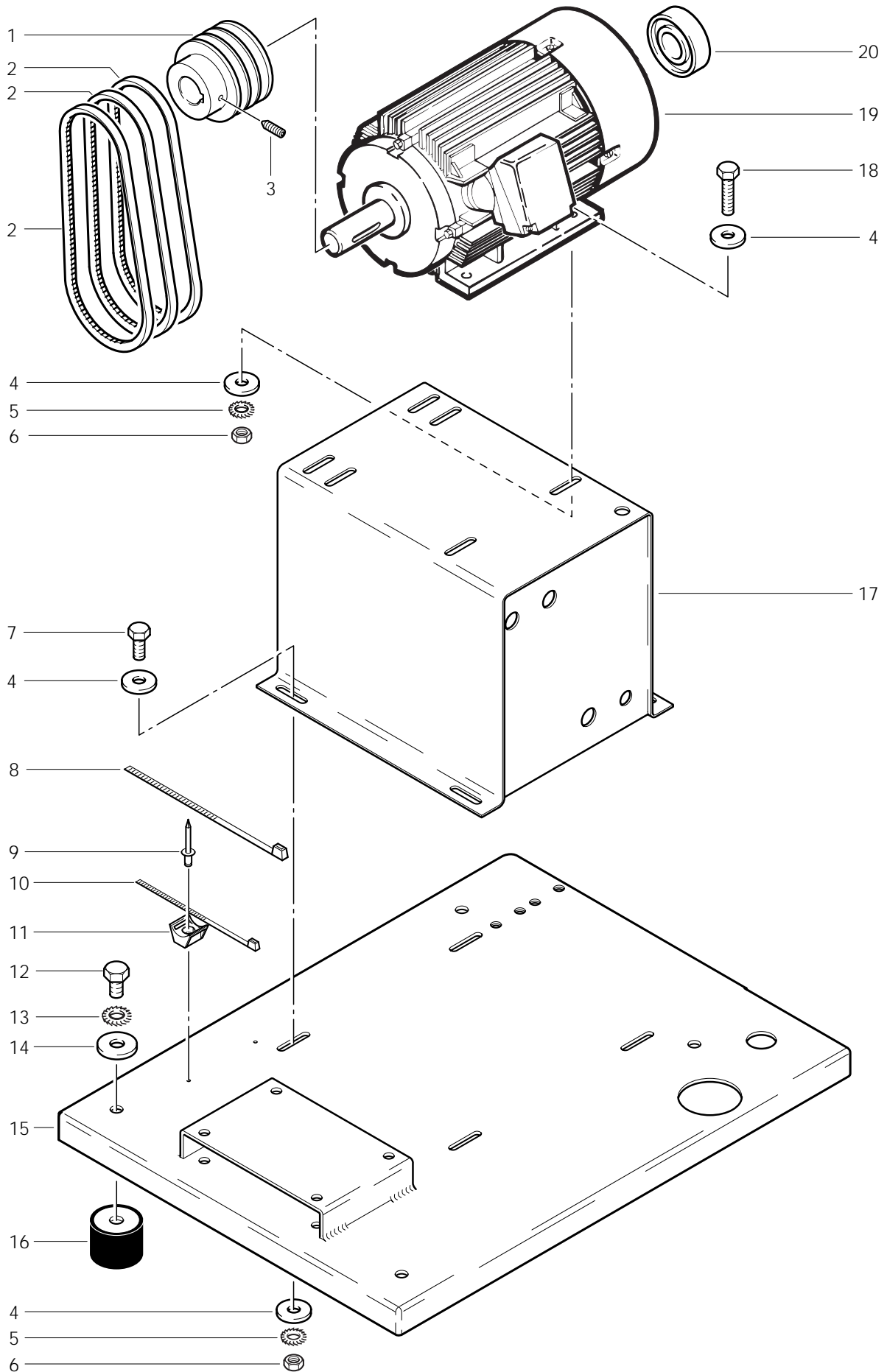
| POS. | NO. | BEZEICHNUNG | DESCRIPTION | DESIGNATION |
|------|-------|-------------------------|---------------|-------------------|
| 2 | 53427 | Abdeckblech | Metal sheet | |
| 3 | 24487 | Schalter Haupt- | | |
| 6 | 53425 | Armaturenblech HPM 3/xx | Metal sheet | |
| 9 | 31748 | Manometer 250 Bar | Gauge 250 bar | Manometre 250 bar |



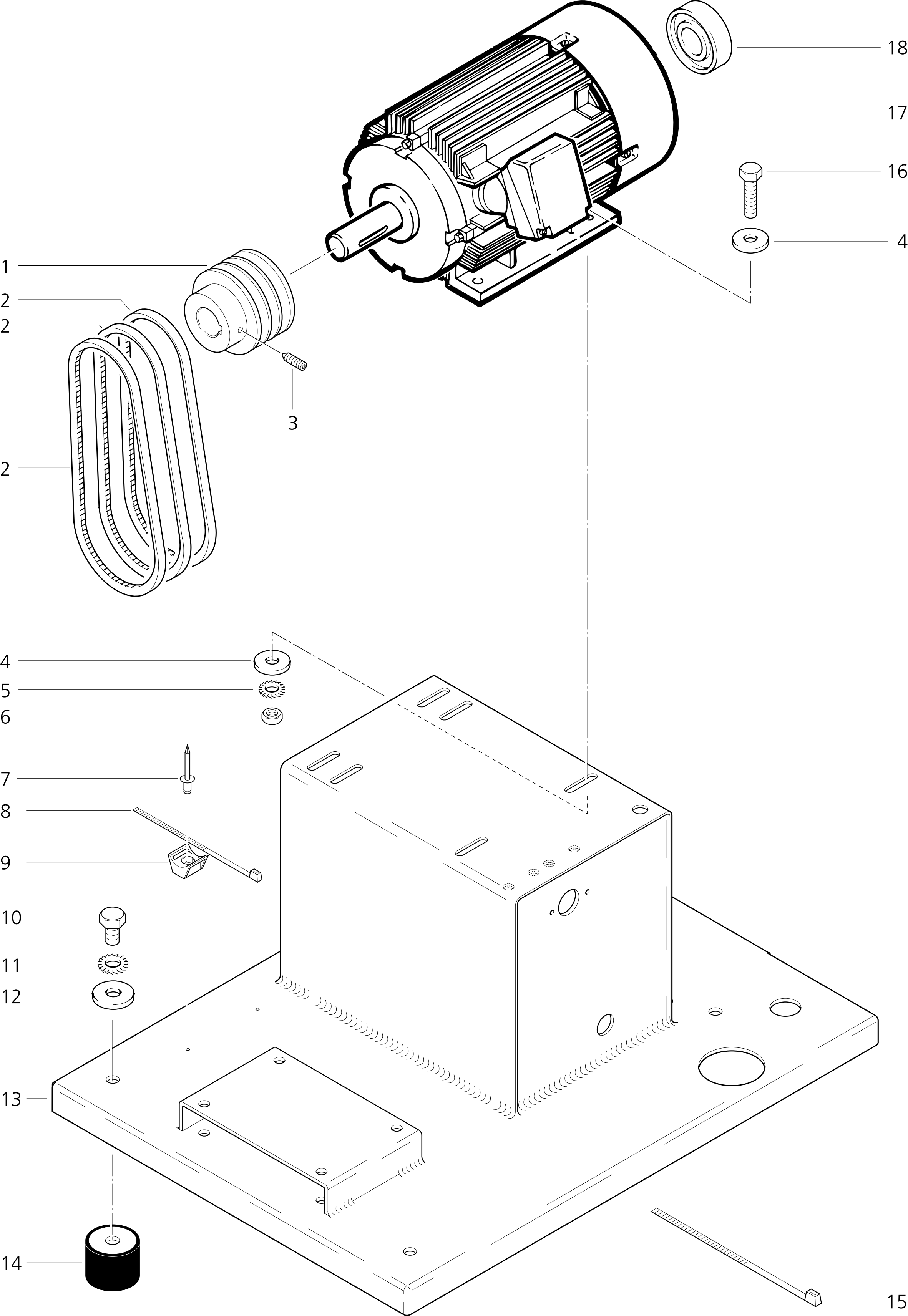
| POS. | NO. | BEZEICHNUNG | DESCRIPTION | DESIGNATION |
|------|-------|--|---------------------------------------|---------------|
| 2 | 25502 | Motorschutzschalter 9-12,5A | Over current relay 9,0 - 12,5A | |
| 3 | 25504 | Hilfsschalter MS 225 | | |
| 4 | 5509 | Feinsicherung 6,3 A | Fuse 6,3 A | Fusible 6,3 A |
| 5 | 54509 | Steuerplatine 24V | Control Unit 24V | |
| 6 | 54958 | Klemmleiste 2-pol. | Terminal Block 2-pol. | |
| 7 | 54960 | Klemmleiste 10-pol. | Terminal Block 10-pol. | |
| 8 | 54961 | Klemmleiste 12-pol. | Terminal Block 12-pol. | |
| 9 | 54959 | Klemmleiste 6-pol. | Terminal Block 6-pol. | |
| 10 | 5038 | Sicherungsklemme | Terminal block | Bornier |
| 11 | 12151 | Feinsicherung 10 A | Fuse 10 A | Fusible 10 A |
| | 15846 | Feinsicherung 2,5 A | Fuse 2,5 A | |
| 12 | 53720 | Leuchten Vorsatz grün | Signal light attachment | |
| 13 | 11963 | Leuchten Ansatz | SOCKET OF INDICATOR LAMP | |
| 14 | 29962 | Leuchttaster Vorsatz rot | | |
| 15 | 29961 | Leuchttaster Vorsatz grün | | |
| 16 | 29960 | Leuchttaster Vorsatz weiß | | |
| 17 | 41548 | Glühlampe 28V | Lamp 28V | |
| 18 | 11961 | Leuchttaster Ansatz | SHOULDER LUMINOUS BUTTON | |
| 19 | 42628 | Zähler 24V/50Hz 7st. | | |
| 20 | 29748 | Entstörglied | | |
| 21 | 29965 | Schütz 24V/50-60Hz | | |
| 22 | 41570 | Schaltrelais 2pol. 24V | Relais 2pol. 24V | |
| 23 | 41573 | Relaissockel | | |
| 24 | 24482 | Zeitrelais 0,1s-600min BAR= anzugverzögert | TIME RELAY | |
| | 24483 | Zeitrelais 0,1s-600min BCR= abfallverzögert | TIME RELAY | |
| 25 | 29488 | Stromstoßrelais 2pol. 24V DC | | |
| 26 | 54948 | Steuertrafo 230/400V-19/24V | Control Transformer 230/400V - 19/24V | |
| 27 | 22207 | Si-Brückengleichrichter | Rectifier | |
| 28 | 26387 | Diode | Diode | |



| POS. | NO. | BEZEICHNUNG | DESCRIPTION | DESIGNATION | |
|------|---|---------------------------|-----------------------------|------------------------------|----------------------|
| 1 | 53417 | Schwimmerventil | Float valve | | |
| 2 | 33999 | Membrane | | | |
| 3 | 34240 | Abdeckung | Covering | Couvercle | |
| 4 | 16860 | Schraube KA40x12 | Screw PT 4x12 | Vis autotaraudeuse PT 4x12 | |
| 5 | 23914 | Deckel - Vorlaufbehälter | | | |
| 6 | 24355 | Zylinderschraube M6x16 A2 | Socket head cap screw M6x16 | Vis cylindrique M6x16 DIN 91 | |
| 7 | 24312 | Federring A6 A2 | Spring washer A6 DIN 127 | Rondelle grower A6 DIN 127 | |
| 8 | 17849 | Scheibe B 6,4 A2 | Washer B6,4 DIN 125 A2 | Rondelle B6,4 DIN 125 A2 | |
| 9 | 21869 | Winkel I-A 3/8" Ms | Angle I-A 3/8" Ms | Equerre I-A 3/8" Ms | |
| 10 | 21302 | Vorlaufbehälter | | | |
| 11 | 15569 | Verschraubung R Ý | | | |
| 12 | 3452 | Mutter G½ | Hexagon nut G½ POM | Ecrou 6 pans G½ POM | |
| 13 | 2377 | Dichtring 27x38x2 | Packing ring D27/38x2 | Anneau d'isolation D27/38x2 | |
| 14 | 21620 | Durchgangsventil 3/4" | | | |
| 15 | 11857 | Winkelverschraubung | Angular screwing | Raccord coude | |
| 17 | 8298 | Schlauchschelle 16-27 | Hose clip 16-27/9 | Collier 16-27/9 | |
| ◇ | 18 | 6465 | Schlauch 3/4" Spez. | Hose DN 19,5x4,5 Gu | Tuyau DN 19,5x4,5 Gu |
| 21 | 24354 | Federring M4 A2 | Spring washer M4 A2 | Rondelle grower M4 A2 | |
| 22 | 24352 | Zylinderschraube M4x16 A2 | Socket head cap screw M4x16 | Vis cylindrique M4x16 DIN 91 | |
| 23 | 3448 | Schlauchtülle DN13 | Hose liner W DN13 G½ Ku | Embout W DN13 G½ Ku | |
| 24 | 3449 | Dichtring 21x30x2 | Packing ring D21/30x2 IT | Anneau d'isolation D21/30x2 | |
| 25 | 7541 | Sieb | Sieve | | |
| 26 | 6607 | Nippel Red- R1-R3/4" Ms | Intermediate piece | Raccord | |
| ◇ | 27 | 1082 | Steckschlauch DN 10 | HOSE | |
| 28 | 1654 | Schlauchschelle 16x9 | Hose clip 16x9 | Collier 16x9 | |
| 29 | 1039 | Stecknippel 10 M18x1,5 | NIPPLE M 18 X 1.5 | | |
| 30 | 1504 | Verschraubung XW12L | Screwing 12L Zn | Raccord 12L Zn | |
| 31 | 1081 | Überwurfmutter 12L | Cap nut M12L | Ecrou M12L | |
| 32 | 1080 | Schneidring 12L | Tapered ring 12L | Raccord olive 12L | |
| 33 | 1655 | Verschraubung XG 12LR3/8" | SCREWING | | |
| ◇ | 34 | 9175 | Schlauch DN 6 Mewa | Hose DN 6 per m | |
| 35 | 11949 | Schlauchklemme 13 | Hose clamp D-13 | Collier D-13 | |
| 36 | 2580 | Schlauchtülle DN 6 | HOSE SLEEVE | | |
| ◇ | ACHTUNG! - Meterware - Bitte bei Bestellung gewünschte Länge angeben! | | | | |
| ◇ | ATTENTION! - Lengths in metres - Please indicate required length when ordering! | | | | |
| ◇ | ATTENTION! - Longueurs par mètre - Préciser la longueur à la commande! | | | | |

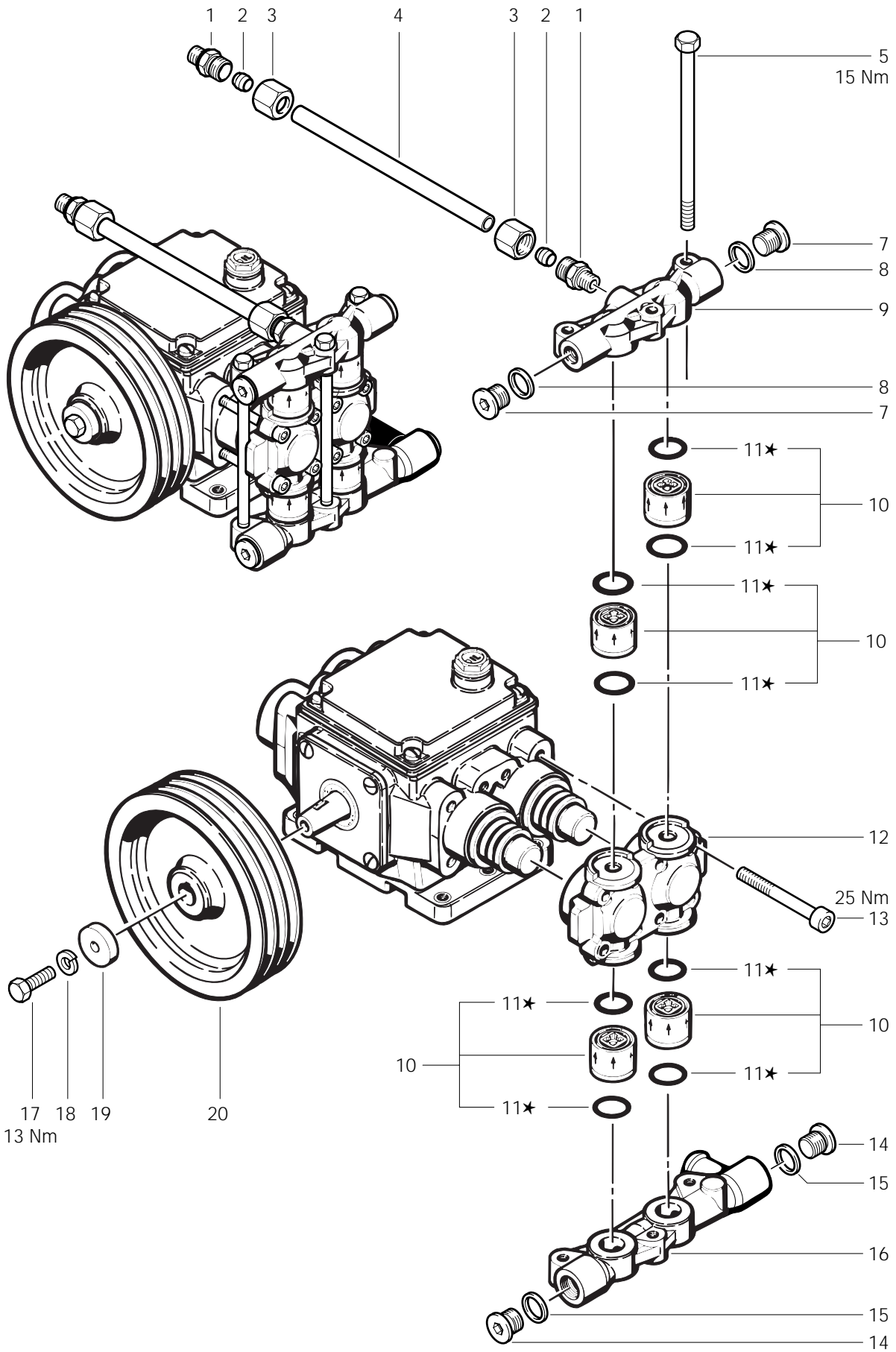


| POS. | NO. | BEZEICHNUNG | DESCRIPTION | DESIGNATION |
|------|-------|--|-------------------------------|-------------------------------|
| 1 | 21219 | Keilriemenscheibe SPZ 74-3 HPM 3/30 | V-belt pulley | |
| 2 | 21222 | Keilriemen XPZ 837 HPM 3/30 | V-belt | |
| 3 | 2794 | Gewindestift M6x20 | Threaded Pin M6x20 DIN 91 | Vis de pression M6x20 DIN 91 |
| 4 | 2793 | Scheibe A 8,4 | Washer A8,4 DIN 9021 | Rondelle A8,4 DIN 9021 |
| 5 | | Zahnscheibe A 8,2 | Serrated lock washer A8,2 D | Rondelle evantail A8,2 DIN 67 |
| 6 | | Mutter M 8 | Hexagon nut M8 DIN 934 | Ecrou 6 pans M8 DIN 934 |
| 7 | | Skt. Schraube M8x20 | Hexagon cap screw M8x20 I | Vis 6 pans M8x20 DIN 933 |
| 8 | 8819 | Kabelband | Cable tie | Attache pour câbles |
| 9 | 14714 | Niet A3,2x10x6,5 | Rivet A3,2x10x6,5 | |
| 10 | 4059 | Kabelband | Cable tie | Attache pour câbles |
| 11 | 4064 | Socket | Support | Support |
| 12 | | Skt. Schraube M10x 16 | Hexagon Bolt M10x 16 | |
| 13 | | Fächerscheibe A 10,5 | Serrated lock washer A 10,5 | |
| 14 | | Scheibe B10,5 | Washer B10,5 DIN 125 | Rondelle B10,5 DIN 125 |
| 15 | 10112 | Grundrahmen | Frame | |
| 16 | 10736 | Puffer | Rubber metal buffer | |
| 17 | 54287 | Wasserkasten | | |
| 18 | | Skt. Schraube M8x35 | Hexagon cap screw M8x35 I | Vis 6 pans M8x35 DIN 933 |
| 19 | 4181 | E-Motor 230/400V 4,0kW HPM 3/30 | Electric Motor 230/400V 4,0kW | Moteur 230/400V 4,0kW |
| 20 | 5905 | Rillenkugellager 6306-2Z HPM 3/30 | Anti-friction bearing 6306-2Z | Roulement 6306-2Z |

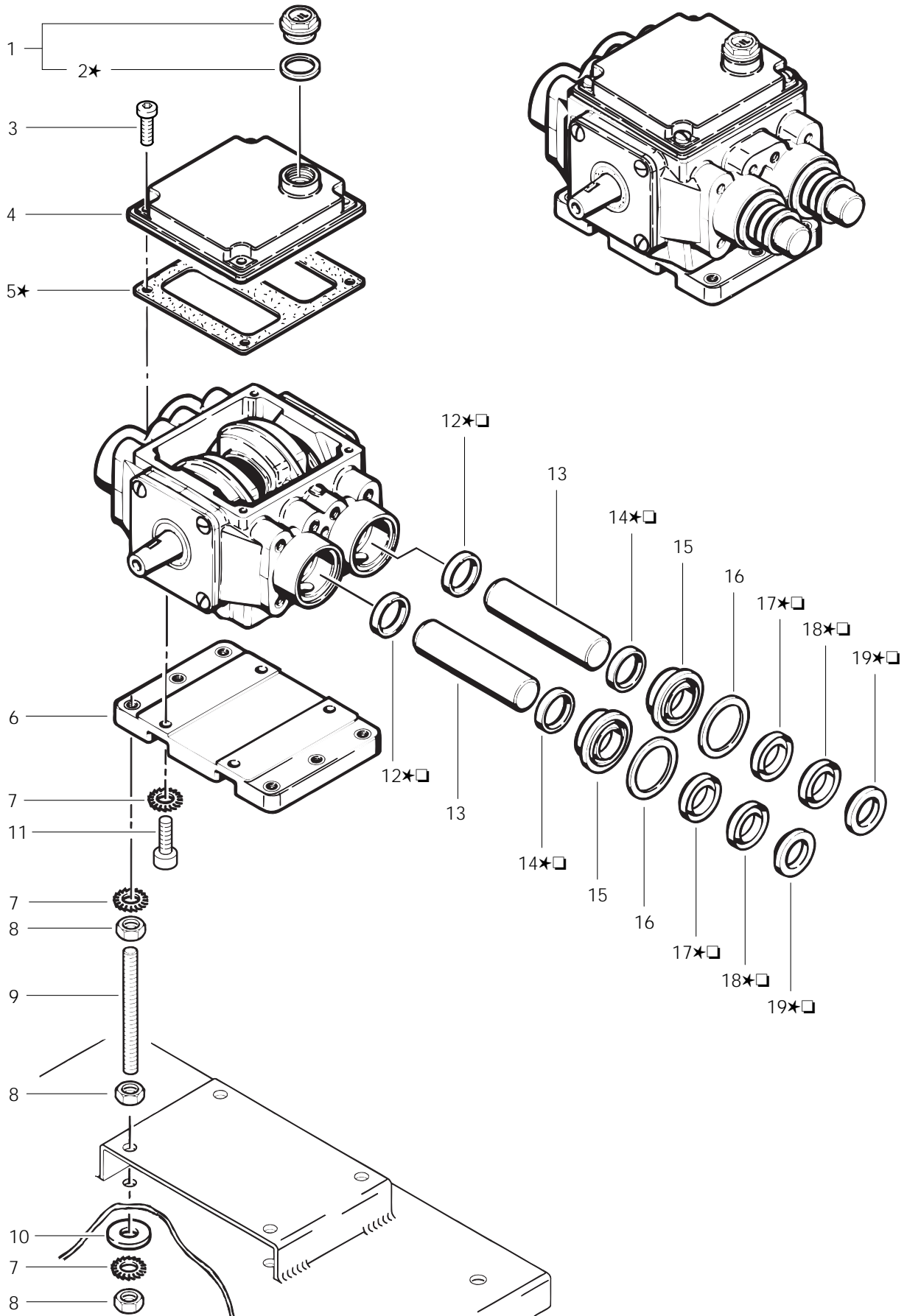


| POS. | NO. | BEZEICHNUNG | DESCRIPTION | DESIGNATION |
|------|-------|---|------------------------------------|---------------------------------|
| 1 | 21220 | Keilriemenscheibe SPA 102-3 HPM 3/39 | V-belt pulley | |
| | 33126 | Keilriemenscheibe SPA 96-3 HPM 3/54 | V-BELT PULLEY | |
| 2 | 21224 | Keilriemen XPA 907 HPM 3/39 | V-belt | |
| | 22800 | Keilriemen XPA 957 HPM 3/54 | V-BELT | |
| 3 | 6652 | Gewindestift M6x10 | Threaded pin M6x10 DIN 91 | Vis de pression M6x10 DIN 91 |
| 4 | | Scheibe A 8,4 | Washer A8,4 DIN 9021 | Rondelle A8,4 DIN 9021 |
| 5 | | Zahnscheibe A 8,2 | Serrated lock washer A8,2 DIN 9021 | Rondelle evantail A8,2 DIN 9021 |
| 6 | | Mutter M 8 | Hexagon nut M8 DIN 934 | Ecrou 6 pans M8 DIN 934 |
| 7 | 14714 | Niet A3,2x10x6,5 | Rivet A3,2x10x6,5 | |
| 8 | 4059 | Kabelband | Cable tie | Attache pour câbles |
| 9 | 4064 | Socket | Support | Support |
| 10 | | Skt. Schraube M10x 16 | Hexagon Bolt M10x 16 | |
| 11 | | Fächerscheibe A 10,5 | Serrated lock washer A 10,5 | |
| 12 | | Scheibe B10,5 | Washer B10,5 DIN 125 | Rondelle B10,5 DIN 125 |
| 13 | 10062 | Grundrahmen | BASE PLATE | |
| 14 | 10736 | Puffer | Rubber metal buffer | |
| 15 | 8819 | Kabelband | Cable tie | Attache pour câbles |
| 16 | | Skt. Schraube M8x35 | Hexagon cap screw M8x35 | Vis 6 pans M8x35 DIN 933 |
| 17 | 4165 | E-Motor 230/400V 7,5kW HPM 3/54 | Electric Motor 230/400V 7,5kW | Moteur 230/400V 7,5kW |
| | 4878 | E-Motor 230/400V 5,5kW HPM 3/36 | Electric Motor 230/400V 5,5kW | Moteur 230/400V 5,5kW |
| 18 | 9299 | Wälzlager 6308-Z | Anti-friction bearing | |

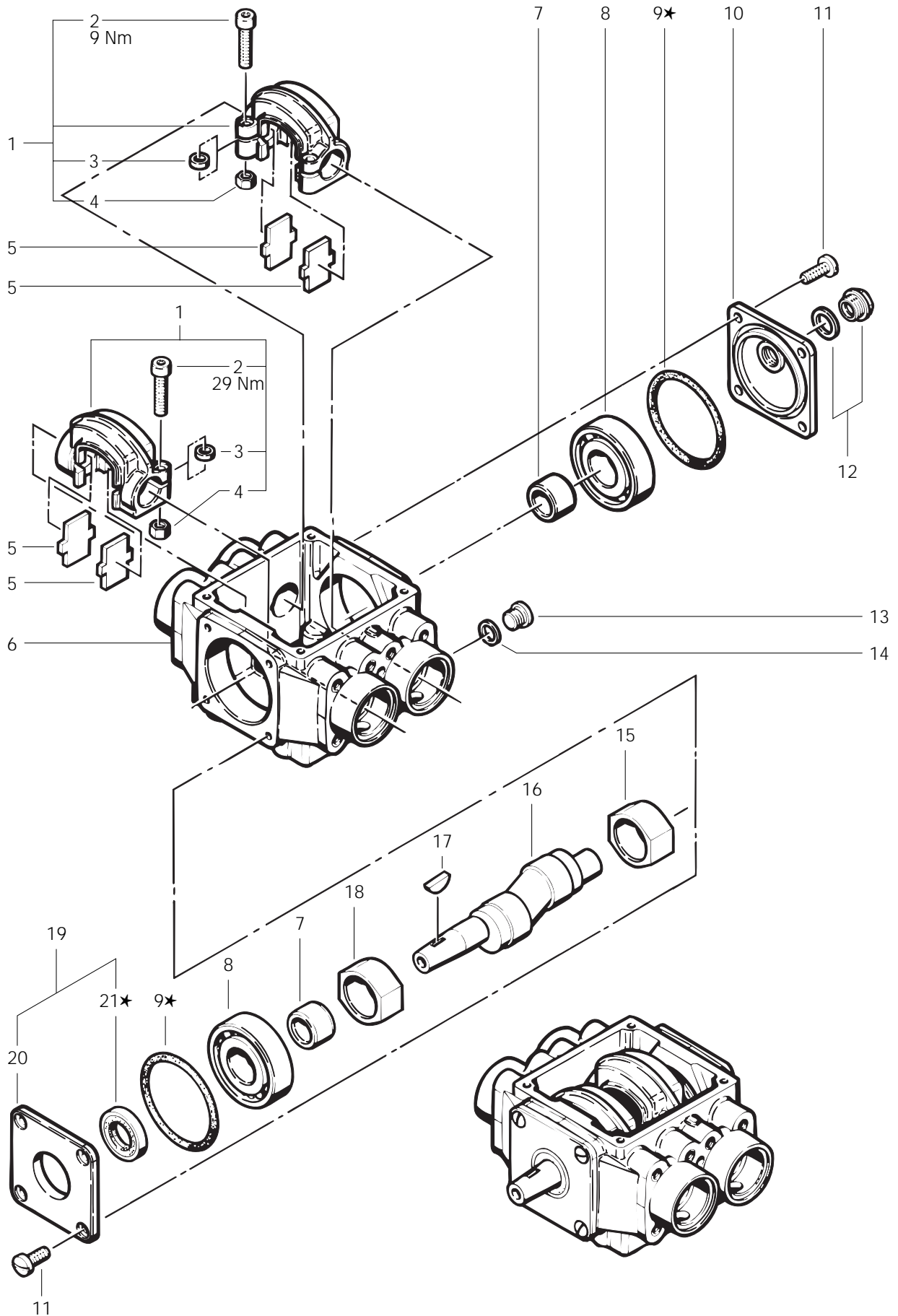
| POS. | NO. | BEZEICHNUNG | DESCRIPTION | DESIGNATION | |
|------|--|-----------------------------|-----------------------------|---------------------------------|----------------------|
| 1 | 42312 | Verschluß-Schraube G¼ | Screw plug G¼ | Bouchon G¼ | |
| 2 | 11340 | Dichtring 13x18x1,5 CU | Packing ring 13x18x1,5 | Anneau d'isolation 13x18x1, | |
| 3 | 4444 | Skt. Schraube M8x170 | Hexagon cap screw M8x170 | Vis 6 pans M8x170 DIN 931 | |
| 5 | 16790 | Druckplatte | Pressure plate | | |
| 6 | 1230 | Verschraubung XG 6LR1/4" | Screwing | | |
| 7 | 9684 | Ventil | Valve compl. | Soupape compl. | |
| ★ | 8 | 3702 | O-Ring 24,0x2,0 | O-Ring 24x2 | Joint torique 24x2 |
| 9 | 9430 | Zyl. Schraube M8x75 | Socket head cap screw M8x75 | Vis cylindrique M8x75 DIN 9 | |
| 10 | 6921 | Ventilblock | Valve block | Bloc de soupapes | |
| 11 | 2581 | Schlauchtülle | Hose liner | Embout | |
| 12 | 2838 | Dichtring 10x14x3 CU | Packing ring 10x14x3 | Anneau d'isolation 10x14x3 | |
| ◇ | 13 | 6465 | Schlauch 3/4" Spez. | Hose DN 19,5x4,5 Gu | Tuyau DN 19,5x4,5 Gu |
| 14 | 8298 | Schlauschelle 16-27 | Hose clip 16-27/9 | Collier 16-27/9 | |
| 15 | 14078 | Schlauchtülle DN20 | Hose Liner DN20 | | |
| 16 | 9347 | Saugplatte | Suction plate right | | |
| 17 | 9442 | Schlauschelle Gr.30 | Hose clip | | |
| 18 | 9348 | Schlauch | Schlauch | | |
| 19 | 4970 | Ringnippel | Ring nipple | Raccord | |
| 20 | 1605 | Dichtring 10x14x1,5 CU | Packing ring 10x14x1,5 | Anneau d'isolation 10x14x1, | |
| 21 | 17190 | Schraube Hohl- R1/8x27 A2 | Banjo Bolt R1/8x27 A2 | | |
| 22 | 1605 | Dichtring 10x14x1,5 CU | Packing ring 10x14x1,5 | Anneau d'isolation 10x14x1, | |
| 23 | 9587 | Verschraubung | Screwing | Raccord | |
| ★ □ | 24 | 4286 | Wellendichtring 25x33x6 | Oil seal ring | Joint d" etancheite |
| 25 | 9459 | Kolben | Piston | Piston | |
| ★ □ | 26 | 16713 | Wellendichtring 25x 33x6 | Oil seal ring | |
| 27 | 9339 | Druckring | Pressure ring | Cone | |
| 28 | 1182 | Ring | Ring | | |
| ★ □ | 29 | 16547 | Manschette D25 | Packing D25 | |
| ★ □ | 30 | 16540 | Dichtring 24x38x6,7 PTFE | Packing Ring 24 x 38 x 6,7 PTFE | |
| ★ □ | 31 | 9325 | Stützring | Supporting ring | Anneau de pression |
| ★ | 33836 | Dichtungssatz für 4 K Pumpe | Packing set | Jeu joints | |
| □ | 11746 | Dichtungssatz für 4 Kolben | Packing Set | Jeu Joints | |
| ◇ | ACHTUNG! - Meterware - Bitte bei Bestellung gewünschte Länge angeben! | | | | |
| ◇ | ATTENTION! - Lengths in metres - Please indicate required lenth when ordering! | | | | |
| ◇ | ATTENTION! - Longueurs par mètre - Préciser la longueur à la commande! | | | | |



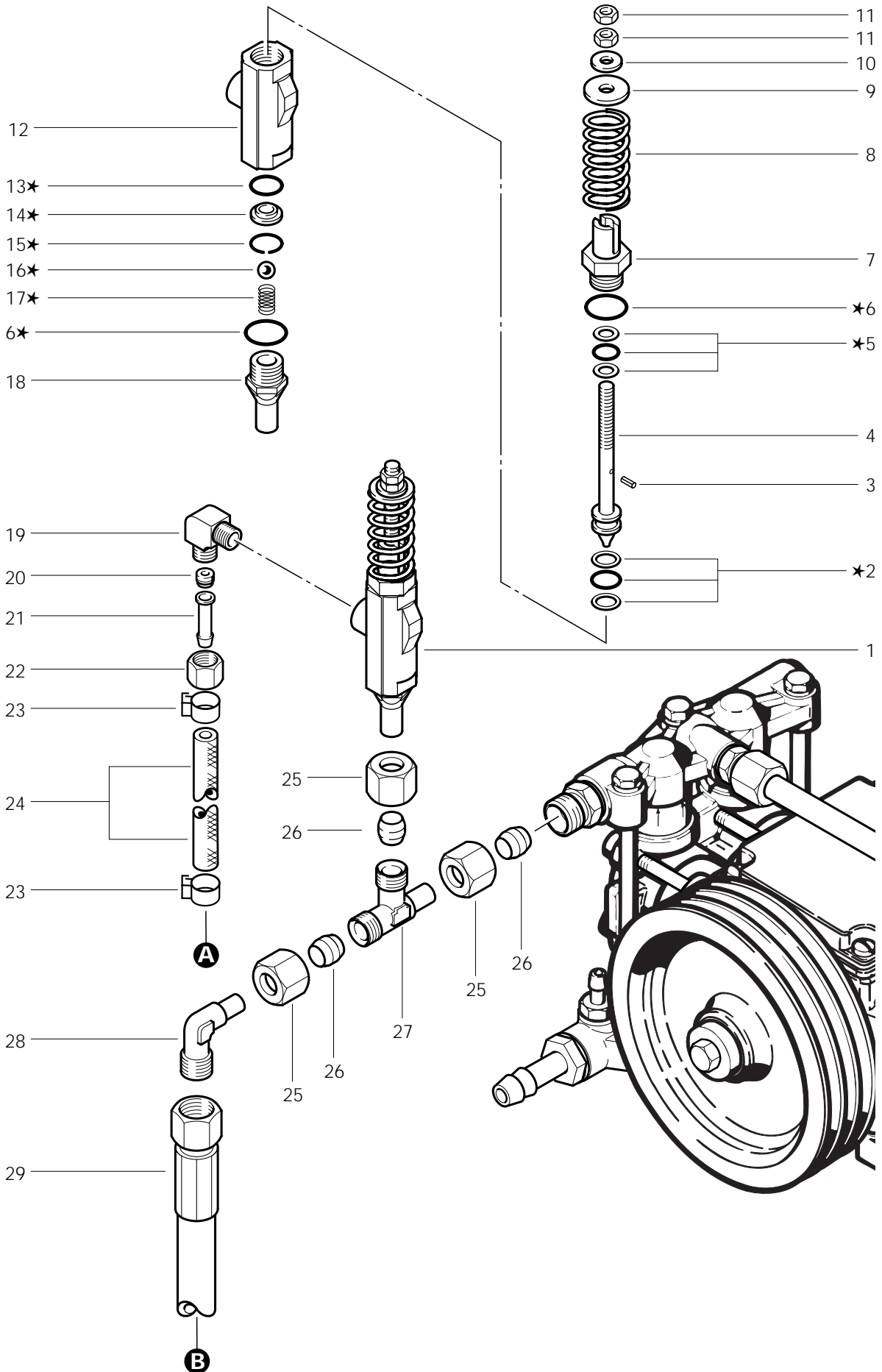
| POS. | NO. | BEZEICHNUNG | DESCRIPTION | DESIGNATION | |
|------|-------|-----------------------------|-----------------------------|-------------------------------|--------------------|
| 1 | 3938 | Verschraubung XG12LR1/4" | Screwing | Raccord | |
| 2 | 1080 | Schneidring 12L | Tapered ring 12L | Raccord olive 12L | |
| 3 | 1081 | Überwurfmutter 12L | Cap nut M12L | Ecrou M12L | |
| 5 | 4444 | Skt. Schraube M8x170 | Hexagon cap screw M8x170 | Vis 6 pans M8x170 DIN 931 | |
| 7 | 42312 | Verschluß-Schraube G¼ | Screw plug G¼ | Bouchon G¼ | |
| 8 | 11340 | Dichtring 13x18x1,5 CU | Packing ring 13x18x1,5 | Anneau d'isolation 13x18x1,5 | |
| 9 | 16790 | Druckplatte | Pressure plate | | |
| 10 | 9684 | Ventil | Valve compl. | Soupape compl. | |
| ★ | 11 | 3702 | O-Ring 24,0x2,0 | O-Ring 24x2 | Joint torique 24x2 |
| 12 | 6921 | Ventilblock | Valve block | Bloc de soupapes | |
| 13 | 9430 | Zyl. Schraube M8x75 | Socket head cap screw M8x75 | Vis cylindrique M8x75 DIN 912 | |
| 14 | 42252 | Verschluß-Schraube G3/8 | Screw plug G3/8 | Bouchon G3/8 | |
| 15 | 1657 | Dichtring 17x21x1,5 CU | Packing ring 17x21x1,5 | Anneau d'isolation 17x21x1,5 | |
| 16 | 9346 | Saugplatte | Suction plate left | | |
| 17 | 2806 | Skt. Schraube M6x25 | Hexagon cap screw M6x25 | Vis 6 pans M6x25 DIN 933 | |
| 18 | 2772 | Federring A 6 | Spring washer A6 DIN 127 | Rondelle grower A6 DIN 127 | |
| 19 | 1204 | Scheibe | Disc | Rondelle | |
| 20 | 6953 | Keilriemenscheibe SPZ 166-3 | V-Belt pulley | | |
| | | HPM 3/30 | | | |
| | 9450 | Keilriemenscheibe SPA 160-3 | V-belt pulley | | |
| | | HPM 3/39 | | | |
| ★ | 33836 | Dichtungssatz für 4 K Pumpe | Packing set | Jeu joints | |



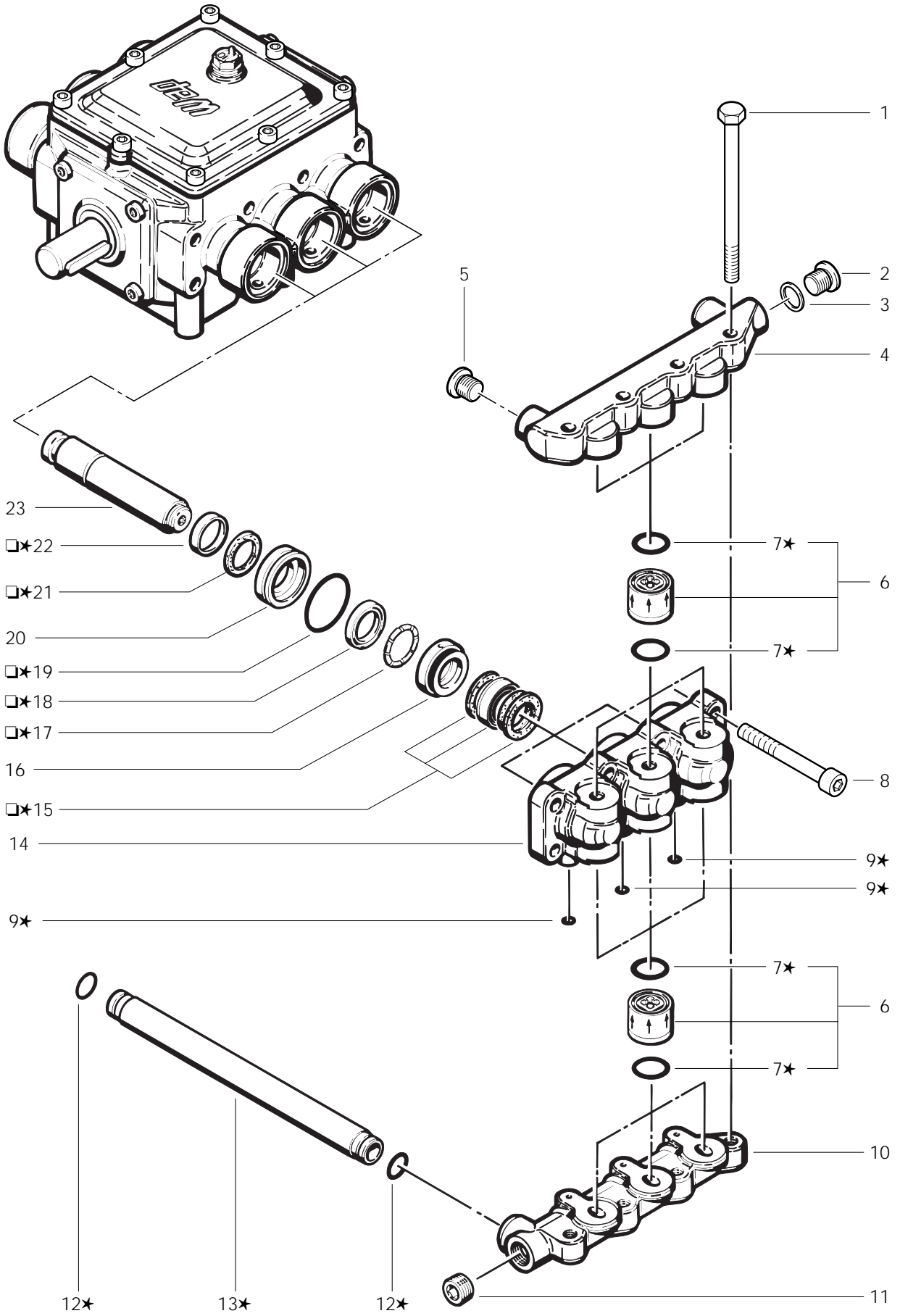
| POS. | NO. | BEZEICHNUNG | DESCRIPTION | DESIGNATION |
|------|-----|-------------|-----------------------------|---|
| | 1 | 32742 | Belüftungszapfen | Aeration sprigot Tourillon d" aeration |
| ★ | 2 | 55202 | Dichtung | Packing Joint |
| | 3 | 13923 | Spedform-Schraube M6x20 | Screw M6x20 Vis M6x20 |
| | 4 | 32773 | Pumpendeckel | Pump cover Couvercle |
| ★ | 5 | 13710 | Deckeldichtung | Cover gasket Hoint couvercle |
| | 6 | 6882 | Pumpenfuß | Plate |
| | 7 | | Zahnscheibe A 8,2 | Serrated lock washer A8,2 DIN 913 Rondelle evantail A8,2 DIN 913 |
| | 8 | | Mutter M8 | Hexagon nut M8 DIN 934 Ecrou 6 pans M8 DIN 934 |
| | 9 | 4070 | Gewindebolzen M8x90 | Stud M 8x 90 |
| | 10 | | Scheibe A 8,4 | Washer A8,4 DIN 9021 Rondelle A8,4 DIN 9021 |
| | 11 | | Zyl. Schraube M8x25 | Socket head cap screw M8x25 Vis cylindrique M8x25 DIN 913 |
| ★ □ | 12 | 4286 | Wellendichtring 25x33x6 | Oil seal ring Joint d" etancheite |
| | 13 | 9459 | Kolben | Piston Piston |
| ★ □ | 14 | 16713 | Wellendichtring 25x33x6 | Oil seal ring |
| | 15 | 9339 | Druckring | Pressure ring Cone |
| | 16 | 1182 | Ring | Ring |
| ★ □ | 17 | 16547 | Manschette D25 | Packing D25 |
| ★ □ | 18 | 16540 | Dichtring 24x38x6,7 PTFE | Packing Ring 24 x 38 x 6,7 PTFE |
| ★ □ | 19 | 9325 | Stützring | Supporting ring Anneau de pression |
| ★ | | 33836 | Dichtungssatz für 4 K Pumpe | Packing set Jeu joints |
| □ | | 11746 | Dichtungssatz für 4 Kolben | Packing Set Jeu Joints |



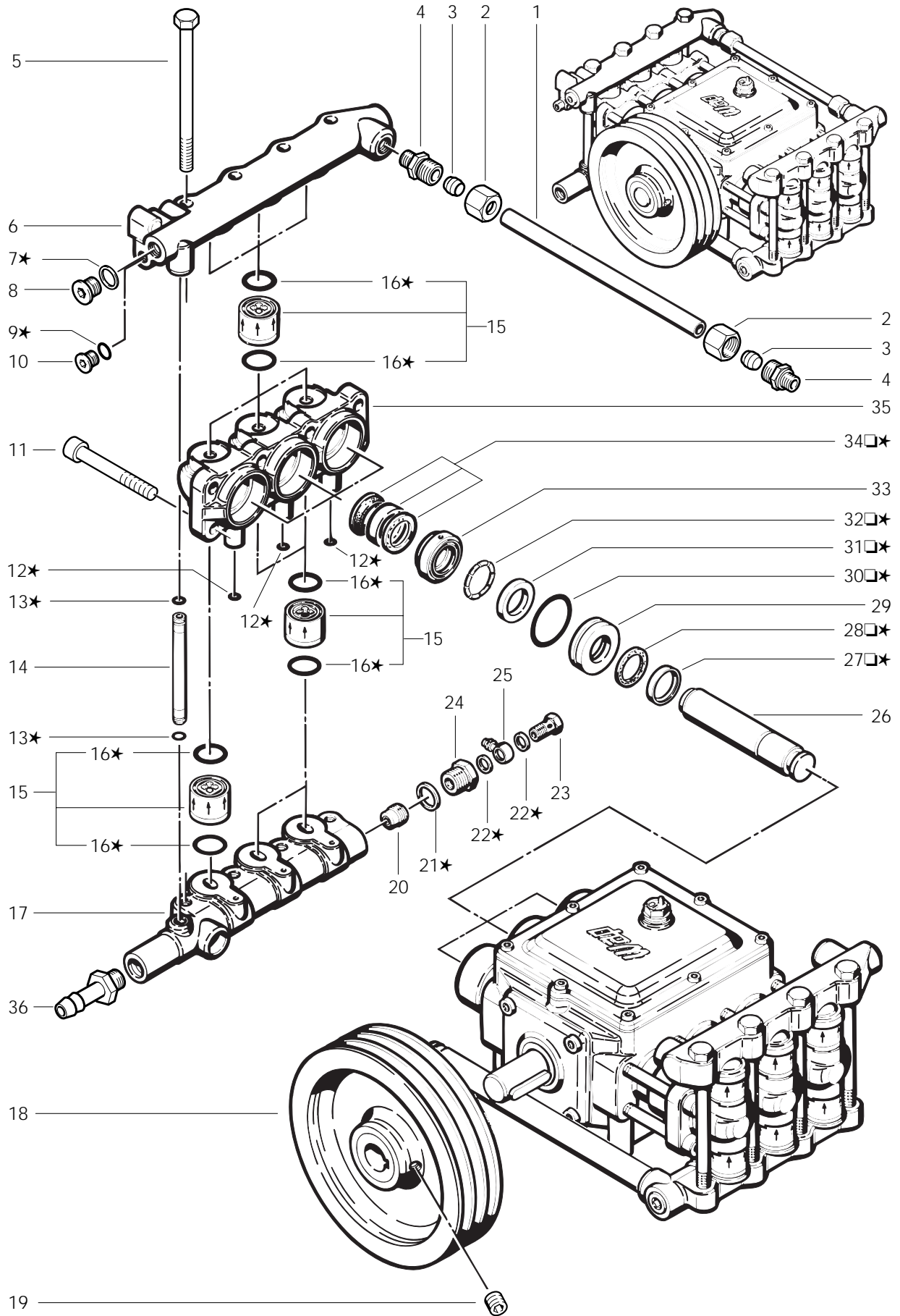
| POS. | NO. | BEZEICHNUNG | DESCRIPTION | DESIGNATION | |
|------|-------|------------------------|---------------------------------|------------------------------|----------------------|
| 1 | 9719 | Klemmjoch | Yoke | | |
| 2 | 16053 | Zyl. Schraube M6x30 | Socket head cap screw M6x30 | Vis cylindrique M6x30 DIN 69 | |
| 3 | 16054 | Ring | Ring | Entretoise | |
| 4 | 13989 | Mutter M6x1 | Hexagon nut M6x1 | Ecrou 6 pans M6x1 | |
| 5 | 9722 | Kolbenplättchen | Piston flat | Plaque de calage | |
| 6 | 6874 | Pumpengehäuse | Housing | | |
| 7 | 4282 | Lagerbüchse | Bushing | Bague | |
| 8 | 4273 | Wälzlager NJ306 | Anti-friction bearing NJ306 | Roulement NJ306 | |
| ★ | 9 | 1678 | O-Ring 72,0x2,5 | O-Ring 72x2,5 | Joint torique 72x2,5 |
| 10 | 32777 | Seitendeckel | Side cover | Couvercle lateral | |
| 11 | 6878 | Linsenschraube M6x16 | Lens head counters. screw M6x16 | Vis tete plate M6x16 DIN 798 | |
| 12 | 32743 | Ölschauglas | Oil sight glass | Voyant | |
| 13 | 42312 | Verschluß-Schraube G¼ | Screw plug G¼ | Bouchon G¼ | |
| 14 | 11340 | Dichtring 13x18x1,5 CU | Packing ring 13x18x1,5 | Anneau d'isolation 13x18x1,5 | |
| 15 | 9724 | Lagerring | Bearing ring | Palier | |
| 16 | 6875 | Antriebswelle | Drive shaft | | |
| 17 | 2795 | Scheibenfeder 5x6,5 | Disc spring 5x6,5 DIN 6888 | Clavette 5x6,5 DIN 6888 | |
| 18 | 9724 | Lagerring | Bearing ring | Palier | |
| 19 | 3620 | Seitendeckel kpl. | Side cover | Couvercle lateral | |
| 20 | 3916 | Seitendeckel | Side cover | Couvercle lateral | |
| ★ | 21 | 1183 | Wellendichtring 20x40x7 | Oil seal ring | |
| ★ | | 33836 | Dichtungssatz für 4 K Pumpe | Packing set | Jeu joints |



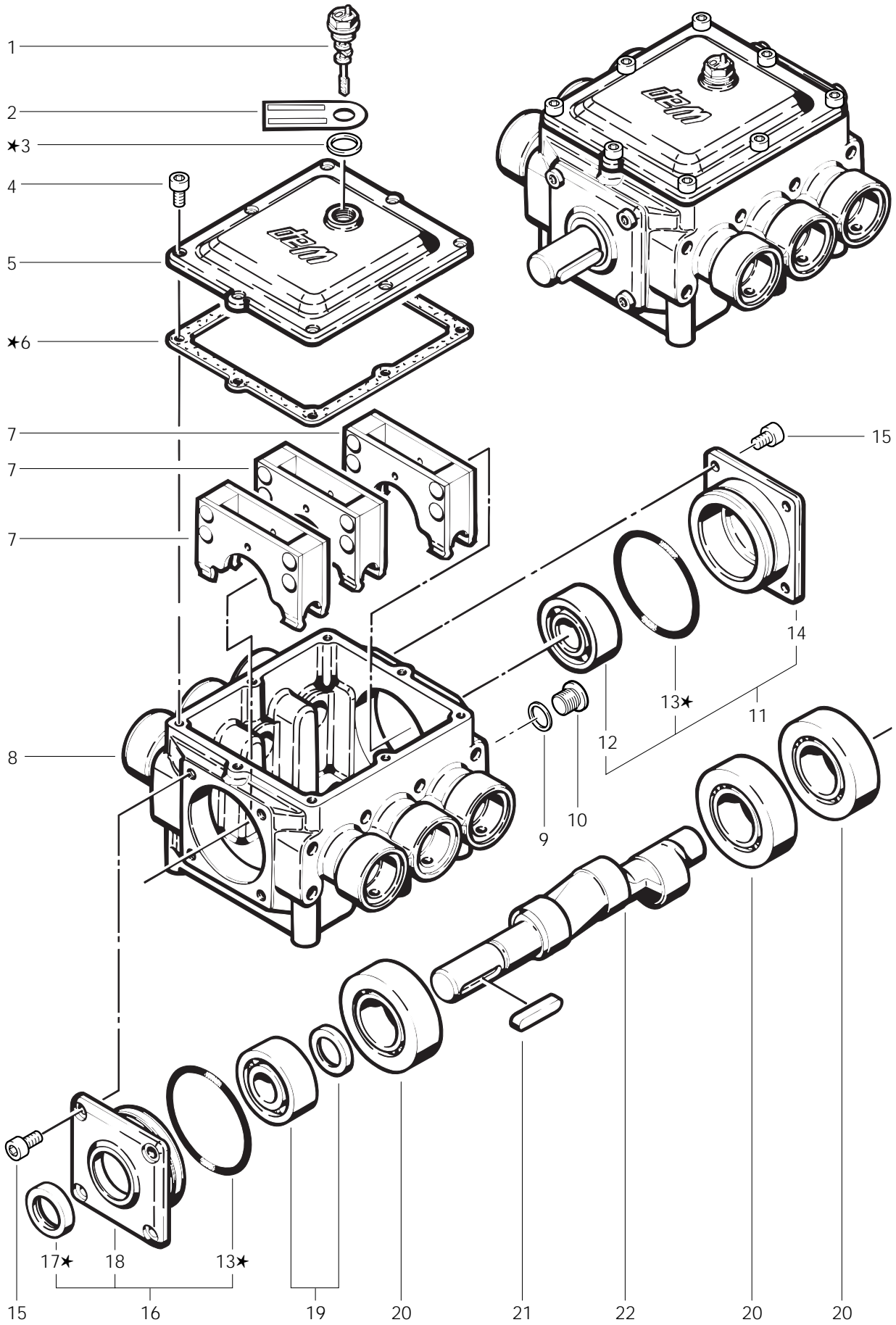
| POS. | NO. | BEZEICHNUNG | DESCRIPTION | DESIGNATION |
|------|---|---------------------------------|--------------------------------------|---|
| | 1 | 31878 | Sicherheitsventil kpl. | Safety Valve cpl. Soupape Sécurité cpl. |
| ★ | 2 | 9856 | Dichtpackung | Packing set Jeu de joints |
| | 3 | 16067 | Spannstift 3x14 | Adaptor sleeve 3x14 DIN 73 Goupille 3x14 DIN 7343 |
| | 4 | 16152 | Steuerkolben | Piston Piston |
| | 5 | 9857 | Dichtpackung | Packing set Jeu de joints |
| ★ | 6 | 4656 | O-Ring 16,0x2,0 | O-Ring 16x2 Joint torique 16x2 |
| | 7 | 16105 | Deckel | Cover Couvercle |
| | 8 | 11453 | Feder | Spring Ressort |
| | 9 | 32052 | Federdruckscheibe | Spring pressure disc Piece de centrage |
| | 10 | 2762 | Scheibe A 8,4 | Washer A8,4 DIN 125 Rondelle A8,4 DIN 125 |
| | 11 | 16135 | Mutter M8x1 | Hexagon nut M8x1 DIN 439 Ecrou 6 pans M8x1 DIN 439 |
| | 12 | 16739 | Gehäuse | Casing Corps soupape de decharge |
| ★ | 13 | 9852 | O-Ring 11,0x1,5 | O-Ring 11x1,5 Joint torique 11x1,5 |
| ★ | 14 | 9851 | Dichtsitz | Seal Siege |
| ★ | 15 | 9853 | Sicherungsring D14x1 | Safety ring D14x1 DIN 472 Circlips D14x1 DIN 472 |
| ★ | 16 | 9854 | Kugel | Ball Bille |
| ★ | 17 | 9855 | Feder | Spring Ressort |
| | 18 | 16742 | Verschraubung | Screwing Raccord |
| | 19 | 1364 | Verschraubung XW 6LR1/4" | Screwing Raccord |
| | 20 | 1820 | Schneidring 6L | Tapered ring 6L Raccord olive 6L |
| | 21 | 17519 | Schlauchtülle | Hose liner Embout |
| | 22 | 1368 | Überwurfmutter 6L | Cap nut M6L Ecrou M6L |
| | 23 | 11654 | Schlauchklemme 11,5 | Hose clamp D-11,5 Collier D-11,5 |
| ◇ | 24 | 4973 | Schlauch DN 6x3 | Hose DN 6x3 Tuyau DN 6x3 |
| | 25 | 1081 | Überwurfmutter 12L | Cap nut M12L Ecrou M12L |
| | 26 | 1080 | Schneidring 12L | Tapered ring 12L Raccord olive 12L |
| | 27 | 4038 | Verschraubung XL12L | Screwing 12L Raccord 12L |
| | 28 | 1504 | Verschraubung XW12L | Screwing 12L Zn Raccord 12L Zn |
| | 29 | 3986 | HD-Schlauch DN10x0,39m l = 390 mm | HP-HOSE |
| | | 9179 | HD-Schlauch DN10x1,0m l = 1 m | HP-HOSE |
| | | 33099 | HD-Schlauch DN10x1,5m l = 1,5 m | HP-HOSE |
| ★ | 15518 | Dichtungssatz Sicherheitsventil | Packing set for Safety valve | Jeu de garniture |
| ◇ | ACHTUNG! - Meterware - Bitte bei Bestellung gewünschte Länge angeben! | | | |
| ◇ | ATTENTION! - Lengths in metres - Please indicate required length when ordering! | | | |
| ◇ | ATTENTION! - Longueurs par mètre - Préciser la longueur à la commande! | | | |



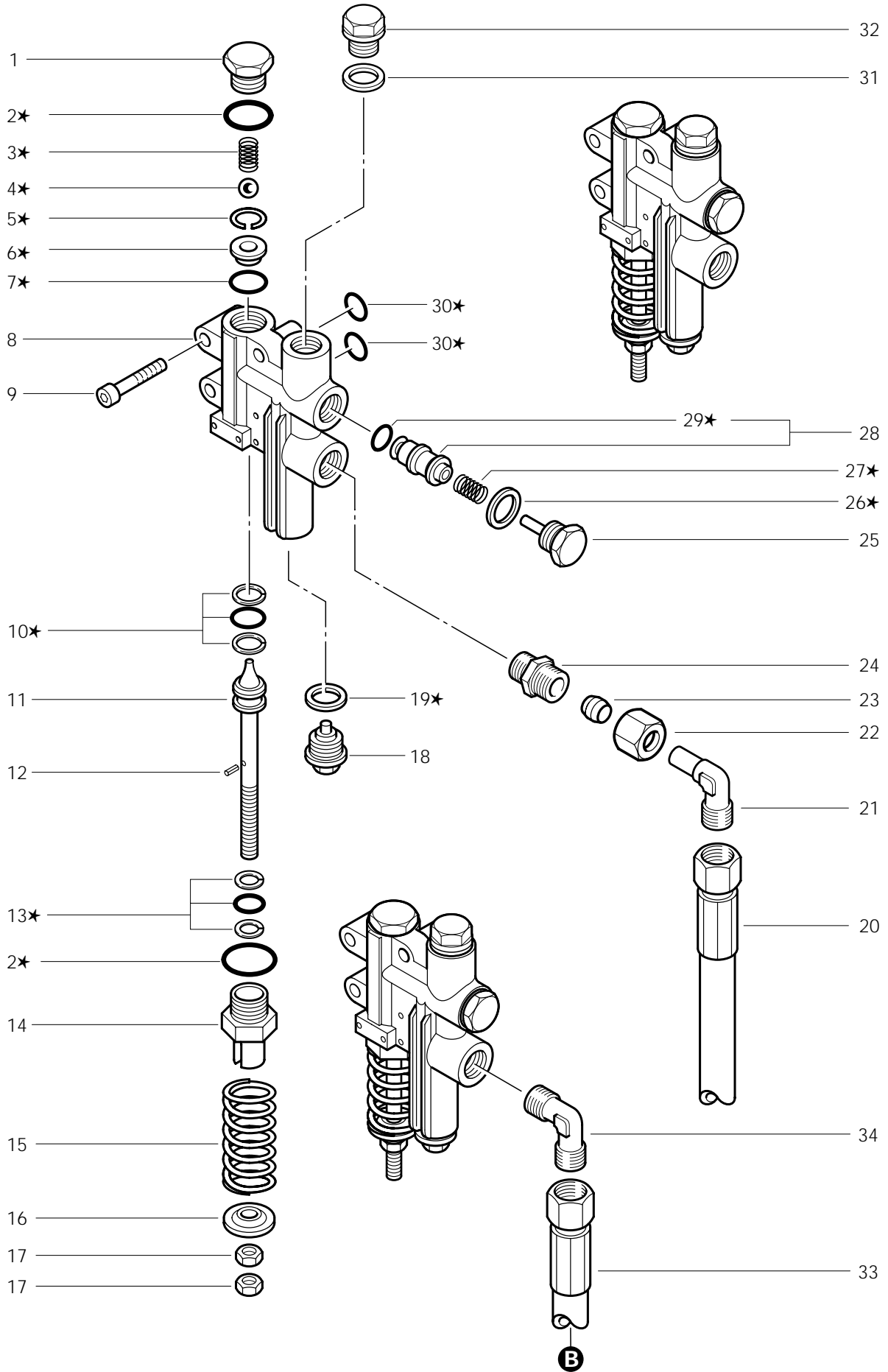
| POS. | NO. | BEZEICHNUNG | DESCRIPTION | DESIGNATION | |
|------|-------|-----------------------------|---------------------------|----------------------------|------------------------|
| 1 | 4699 | Skt. Schraube M10x150 | Hexagonal bolt | | |
| 2 | 42252 | Verschluß-Schraube G3/8 | Screw plug G3/8 | Bouchon G3/8 | |
| 3 | 1657 | Dichtring 17x21x1,5 CU | Packing ring 17x21x1,5 | Anneau d'isolation 17x21x1 | |
| 4 | 16578 | Druckplatte | PRESSURE PLATE | | |
| 5 | 1230 | Verschraubung XG 6LR1/4" | Screwing | | |
| 6 | 9684 | Ventil | Valve compl. | Soupape compl. | |
| ★ | 7 | 3702 | O-Ring 24,0x2,0 | O-Ring 24x2 | Joint torique 24x2 |
| 8 | 13921 | Zyl. Schraube M10x100 | Cap screw | | |
| ★ | 9 | 16320 | O-Ring 4,3x2,4 | O-Ring 4,3x2,4 | Joint torique 4,3x2,4 |
| 10 | 16575 | Saugplatte | Suction plate | | |
| 11 | 16634 | Verschluß-Schraube M20x1,5 | Screw plug | | |
| ★ | 12 | 16443 | O-Ring 17,0x2,0 | O-Ring 17,0x2,0 | Joint torique 17,0x2,0 |
| ★ | 13 | 16633 | Rohr | Suction pipe | |
| 14 | 13994 | Ventilblock | Valve block | Bloc soupape | |
| ★ □ | 15 | 16295 | Dichtsatz | Packing set | |
| 16 | 16297 | Druckring | Pressure ring | | |
| ★ □ | 17 | 16709 | Stützring 26x3,5/2,2 | Supporting ring | |
| ★ □ | 18 | 16329 | Nutring 24x35x5/2,5 | Grooved ring | |
| ★ □ | 19 | 16328 | O-Ring 43,0x2,0 NBR70 | O-Ring | |
| 20 | 16298 | Leckwasserring | Ring | | |
| ★ □ | 21 | 6881 | Gummiring | Rubber ring | Joint protecteur |
| ★ □ | 22 | 4286 | Wellendichtring 25x 33x 6 | Oil seal ring | Joint d" etancheite |
| 23 | 16362 | Kolben | Piston | | |
| ★ | 33092 | Dichtungssatz für 6 K Pumpe | Packing set | Jeu Joints | |
| □ | 33090 | Dichtungssatz für 6 Kolben | Packing Set (6 Piston) | Jeu Joints (6 Piston) | |



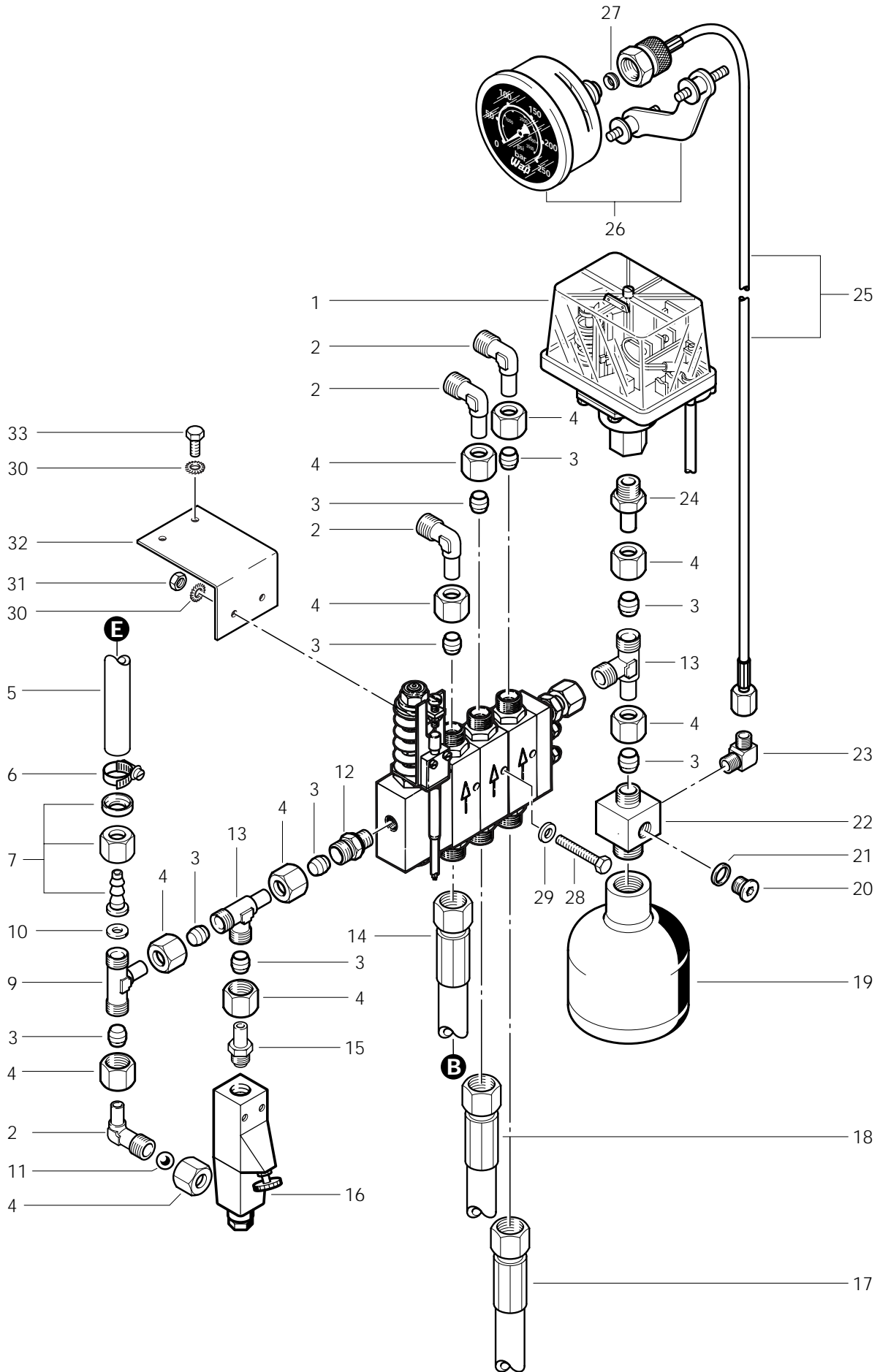
| POS. | NO. | BEZEICHNUNG | DESCRIPTION | DESIGNATION | |
|------|-------|--------------------------|-----------------------------|------------------------|-----------------------------|
| 1 | 16757 | Rohr | Pressure tube | | |
| 2 | 1081 | Überwurfmutter 12L | Cap nut M12L | Ecrou M12L | |
| 3 | 1080 | Schneidring 12L | Tapered ring 12L | Raccord olive 12L | |
| 4 | 3938 | Verschraubung XG12LR1/4" | Screwing | Raccord | |
| 5 | 4699 | Skt. Schraube M10x150 | Hexagonal bolt | | |
| 6 | 16584 | Druckplatte | Pressure plate | | |
| ★ | 7 | 11340 | Dichtring 13x18x1,5 CU | Packing ring 13x18x1,5 | Anneau d'isolation 13x18x1, |
| | 8 | 42312 | Verschluß-Schraube G¼ | Screw plug G¼ | Bouchon G¼ |
| ★ | 9 | 1605 | Dichtring 10x14x1,5 CU | Packing ring 10x14x1,5 | Anneau d'isolation 10x14x1, |
| | 10 | 4443 | Schraube Verschluß- R1/8" | Plug | Vis |
| | 11 | 13921 | Zyl. Schraube M10x100 | Cap screw | |
| ★ | 12 | 16320 | O-Ring 4,3x2,4 | O-Ring 4,3x2,4 | Joint torique 4,3x2,4 |
| ★ | 13 | 32014 | O-Ring 7,5x1,5 | O-Ring 7,5x1,5 | Joint torique 7,5x1,5 |
| | 14 | 16639 | Rohr | Pipe | |
| | 15 | 9684 | Ventil | Valve compl. | Soupape compl. |
| ★ | 16 | 3702 | O-Ring 24,0x2,0 | O-Ring 24x2 | Joint torique 24x2 |
| | 17 | 16580 | Saugplatte | Suction plate | |
| | 18 | 4430 | Keilriemenscheibe SPA 200-3 | V-belt pulley | |
| | 19 | 9678 | Gewindwstift M10x16 | Threaded pin | |
| | 20 | 9587 | Verschraubung | Screwing | Raccord |
| ★ | 21 | 1469 | Dichtring 20x24x1,5 CU | Packing ring | Joint d'etancheite |
| ★ | 22 | 1605 | Dichtring 10x14x1,5 CU | Packing ring 10x14x1,5 | Anneau d'isolation 10x14x1, |
| | 23 | 17190 | Schraube Hohl- R1/8x27 A2 | Banjo Bolt R1/8x27 A2 | |
| | 24 | 16635 | Stopfen M20x1,5x14 Ms | Plug | |
| | 25 | 4970 | Ringnippel | Ring nipple | Raccord |
| | 26 | 16362 | Kolben | Piston | |
| ★ □ | 27 | 4286 | Wellendichtring 25x33x6 | Oil seal ring | Joint d" etancheite |
| ★ □ | 28 | 6881 | Gummiring | Rubber ring | Joint protecteur |
| | 29 | 16298 | Leckwasserring | Ring | |
| ★ □ | 30 | 16328 | O-Ring 43,0x2,0 NBR70 | O-Ring | |
| ★ □ | 31 | 16329 | Nutring 24x35x5/2,5 | Grooved ring | |
| ★ □ | 32 | 16709 | Stützring 26x3,5/2,2 | Supporting ring | |
| | 33 | 16297 | Druckring | Pressure ring | |
| | 34 | 16295 | Dichtsatz | Packing set | |
| | 35 | 13994 | Ventilblock | Valve block | Bloc soupape |
| | 36 | 14078 | Schlauchtülle DN20 | Hose Liner DN20 | |
| | 37 | 5273 | Dichtring 17,5x26x1,5 CU | Packing ring | |
| ★ | | 33092 | Dichtungssatz für 6 K Pumpe | Packing set | Jeu Joints |
| □ | | 33090 | Dichtungssatz für 6 Kolben | Packing Set (6 Piston) | Jeu Joints (6 Piston) |



| POS. | NO. | BEZEICHNUNG | DESCRIPTION | DESIGNATION |
|------|-----|-----------------------------------|-----------------------------|-----------------------------|
| | 1 | 16627 Ölstopfen vorm. 64lg. KU | Oil plug | |
| | 2 | 16191 Schild | Label | Etiquette |
| ★ | 3 | 16048 Dichtung | Packing | Joint |
| | 4 | 4697 Zyl. Schraube M6x16 | Socket head cap screw M6x16 | Vis cylindrique M6x16 DIN 9 |
| | 5 | 16004 Gehäusedeckel | Casing cover | |
| ★ | 6 | 16009 Dichtung 174x160x1 Kork | Seal | |
| | 7 | 16354 Joch | Yoke | |
| | 8 | 13956 Pumpengehäuse | Pump housing | |
| | 9 | 11340 Dichtring 13x18x1,5 CU | Packing ring 13x18x1,5 | Anneau d'isolation 13x18x1, |
| | 10 | 42312 Verschluß-Schraube G¼ | Screw plug G¼ | Bouchon G¼ |
| | 12 | 3674 Wälzlager NJ2305 | Anti-friction bearing | |
| ★ | 13 | 16355 O-Ring 82,0x2,0 NBR70 | O-Ring | |
| | 14 | 16006 Seitendeckel | Cover | |
| | 15 | 2788 Zyl. Schraube M8x16 | Socket head cap screw | |
| ★ | 17 | 3677 Wellendichtring 25x40x7 | Oil-seal ring | |
| | 18 | 16008 Seitendeckel | Cover | |
| | 19 | 3673 Wälzlager NUP2305 | Anti-friction bearing | |
| | 20 | 3672 Stützrolle D40/80x 23 | Roller bearing | Galet pompe |
| | 21 | 4505 Paßfeder 8x7x45 | Fitting key | Clavette |
| | 22 | 3671 Antriebswelle | Drive shaft | |
| ★ | | 33092 Dichtungssatz für 6 K Pumpe | Packing set | Jeu Joints |

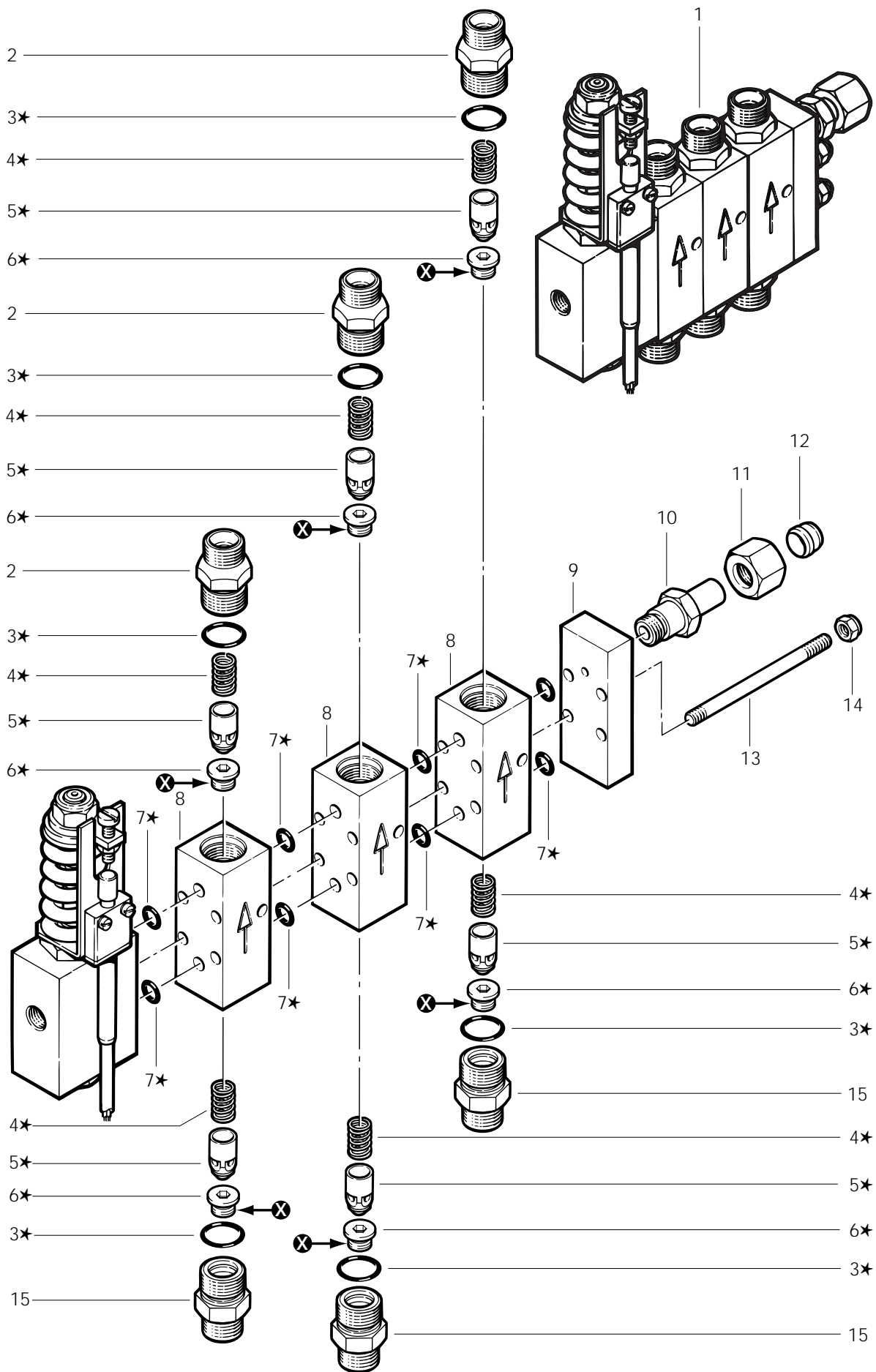


| POS. | NO. | BEZEICHNUNG | DESCRIPTION | DESIGNATION | |
|------|-----|-------------|---------------------------------------|-------------------------------|-------------------------------|
| | 1 | 9575 | Verschluß-Schraube | Screw plug | Bouchon |
| ★ | 2 | 4656 | O-Ring 16,0x2,0 | O-Ring 16x2 | Joint torique 16x2 |
| ★ | 3 | 9855 | Feder | Spring | Ressort |
| ★ | 4 | 9854 | Kugel | Ball | Bille |
| ★ | 5 | 9853 | Sicherungsring D14x1 | Safety ring D14x1 DIN 472 | Circlips D14x1 DIN 472 |
| ★ | 6 | 9851 | Dichtsitz | Seal | Siege |
| ★ | 7 | 9852 | O-Ring 11,0x1,5 | O-Ring 11x1,5 | Joint torique 11x1,5 |
| | 8 | 16623 | Gehäuse | | |
| | 9 | 9752 | Zyl. Schraube M6x35 | Socket head cap screw M6x35 | Vis cylindrique M6x35 DIN 91 |
| ★ | 10 | 9856 | Dichtpackung | Packing set | Jeu de joints |
| | 11 | 16152 | Steuerkolben | Piston | Piston |
| | 12 | 16067 | Spannstift 3x14 | Adaptor sleeve 3x14 DIN 734 | Goupille 3x14 DIN 7343 |
| ★ | 13 | 9857 | Dichtpackung | Packing set | Jeu de joints |
| | 14 | 16105 | Deckel | Cover | Couvercle |
| | 15 | 11453 | Feder | Spring | Ressort |
| | 16 | 32052 | Federdruckscheibe | Spring pressure disc | Piece de centrage |
| | 17 | 16135 | Mutter M8x1 | Hexagon nut M8x1 DIN 439 | Ecrou 6 pans M8x1 DIN 439 |
| | 18 | 13662 | Stopfen | Plug | Bouchon |
| ★ | 19 | 13663 | Dichtring 16x20x1,5 CU | Packing ring 16x20x1,5 | Anneau d'isolation 16x20x1 |
| | 20 | 3986 | HD-Schlauch DN 10x0,39m l = 0,39 m | HP-HOSE | |
| | | 9179 | HD-Schlauch DN 10x1,0m l = 1 m | HP-HOSE | |
| | | 33099 | HD-Schlauch DN 10x1,5m l = 1,5 m | HP-HOSE | |
| | 21 | 1504 | Verschraubung XW12L | Screwing 12L Zn | Raccord 12L Zn |
| | 22 | 1081 | Überwurfmutter 12L | Cap nut M12L | Ecrou M12L |
| | 23 | 1080 | Schneidring 12L | Tapered ring 12L | Raccord olive 12L |
| | 24 | 1655 | Verschraubung XG 12LR3/8" | SCREWING | |
| | 25 | 16625 | Verschluß-Schraube G3/8 | Screw plug G3/8 | Bouchon G3/8 |
| ★ | 26 | 1657 | Dichtring 17x21x1,5 CU | Packing ring 17x21x1,5 | Anneau d'isolation 17x21x1, |
| ★ | 27 | 18067 | Feder | Spring | Ressort |
| | 28 | 16629 | Kolben | Piston | Piston |
| ★ | 29 | 9858 | O-Ring 6,0x3,0 | O-Ring 6,0X3,0 | Joint torique 6,0X3,0 |
| ★ | 30 | 9569 | O-Ring 9,0x1,5 | O-Ring 9x1,5 | Joint torique 9x1,5 |
| | 34 | 1823 | Verschraubung WE 12L/R3/8" | SCREWING | |
| ★ | | 15151 | Dichtungssatz für Regelsicherheits | Packing set for Control Safet | Jeu de garniture pour bloc ré |

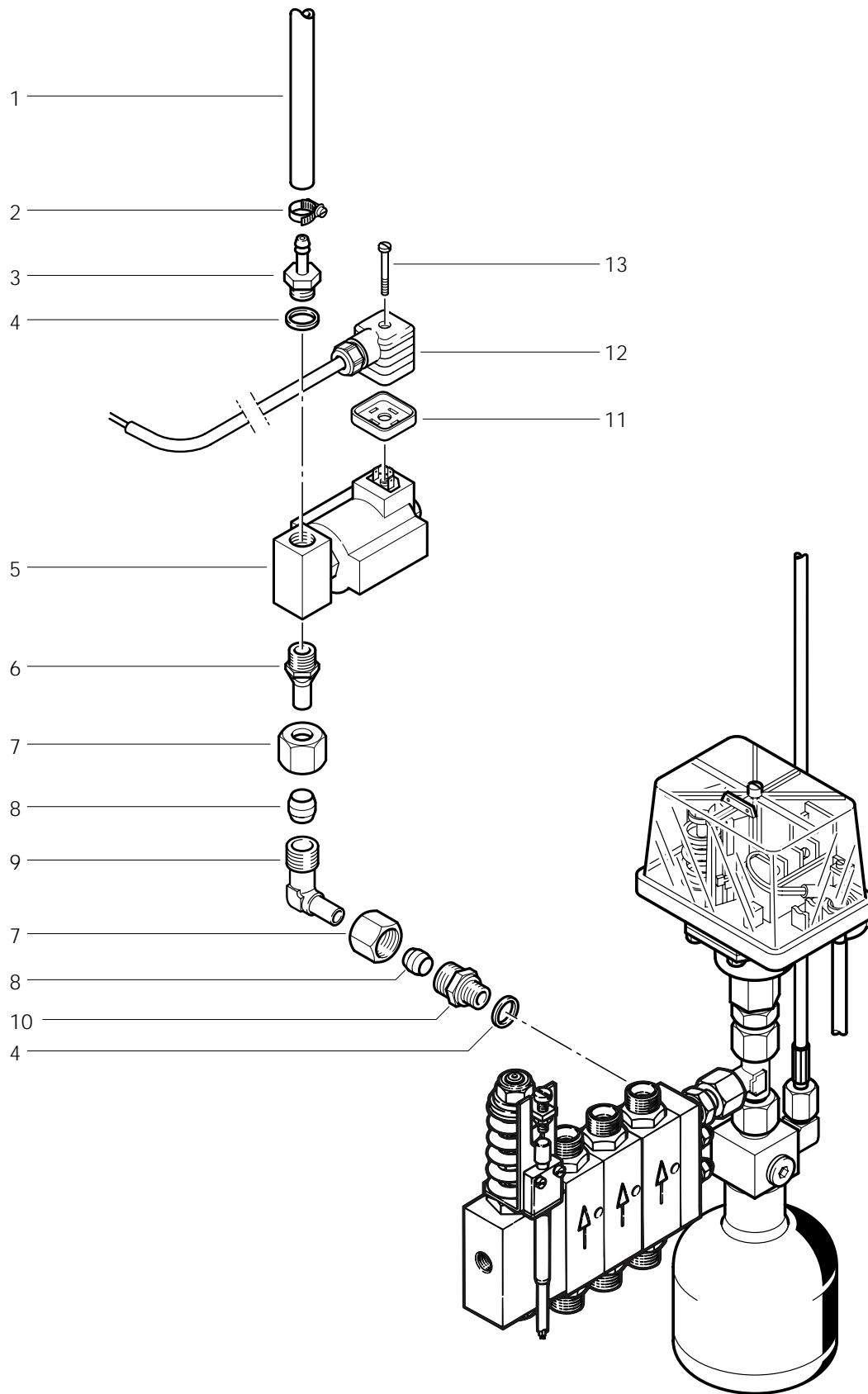


| POS. | NO. | BEZEICHNUNG | DESCRIPTION | DESIGNATION |
|---|-------|---------------------------|-------------------------|--------------------------|
| 1 | 8779 | Druckwächter 14-250 Bar | Pressure control switch | Systeme de regulation |
| 2 | 1504 | Verschraubung XW12L | Screwing 12L Zn | Raccord 12L Zn |
| 3 | 1080 | Schneidring 12L | Tapered ring 12L | Raccord olive 12L |
| 4 | 1081 | Überwurfmutter 12L | Cap nut M12L | Ecrou M12L |
| ◇ | 5 | 1082 | Steckschlauch DN 10 | HOSE |
| 6 | 1654 | Schlauschelle 16x9 | Hose clip 16x9 | Collier 16x9 |
| 7 | 1039 | Stecknippel 10 M18x1,5 | NIPPLE M 18 X 1.5 | |
| 9 | 4102 | T-Verschraubung 12L | T-formed piece 12L | En forme de T 12L |
| 10 | 17067 | Drosselscheibe | Throttle | Etrangleur |
| 11 | 10430 | Kugel D15 | Ball D15 | Bille D15 |
| 12 | 3938 | Verschraubung XG12LR1/4" | Screwing | Raccord |
| 13 | 4038 | Verschraubung XL12L | Screwing 12L | Raccord 12L |
| 14 | 3986 | HD-Schlauch DN10x0,39m | HP-HOSE | |
| 15 | 6628 | Verschraubung XG12LR1/4" | Screwing 12 R¼ | Raccord 12 R¼ |
| 16 | 4852 | Druckschalter | PRESSURE SWITCH | DETECTEUR DE NIVEAU |
| 17 | 9179 | HD-Schlauch DN10x1,0m | HP-HOSE | |
| 18 | 33099 | HD-Schlauch DN10x1,5m | HP-HOSE | |
| 19 | 4173 | Hydrospeicher 0,75 50 bar | Hydraulic damper | |
| 20 | 4080 | Verschuß-Schraube G¼ | Screw plug G¼ | Bouchon G¼ |
| 22 | 7101 | Verteiler | Distributor square | |
| 23 | 1364 | Verschraubung XW 6LR 1/4" | Screwing | Raccord |
| 24 | 1841 | Verschraubung X 12L R3/8" | Screwing | |
| 25 | 60142 | HD-Schlauch DN 2x1,5m | | |
| 26 | 31748 | Manometer 250 Bar | Gauge 250 bar | Manometre 250 bar |
| 27 | 5897 | Dichtring | Packing ring | Anneau d" isolation |
| 28 | | Sechskantschraube M6x45 | Hexagon cap screw M6x45 | Vis 6 pans M6x45 DIN 933 |
| 33 | | Skt. Schraube M6x16 | Hexagon cap screw M6x16 | Vis 6 pans M6x16 DIN 933 |
| ◇ ACHTUNG! - Meterware - Bitte bei Bestellung gewünschte Länge angeben! | | | | |
| ◇ ATTENTION! - Lengths in metres - Please indicate required length when ordering! | | | | |
| ◇ ATTENTION! - Longueurs par mètre - Préciser la longueur à la commande! | | | | |

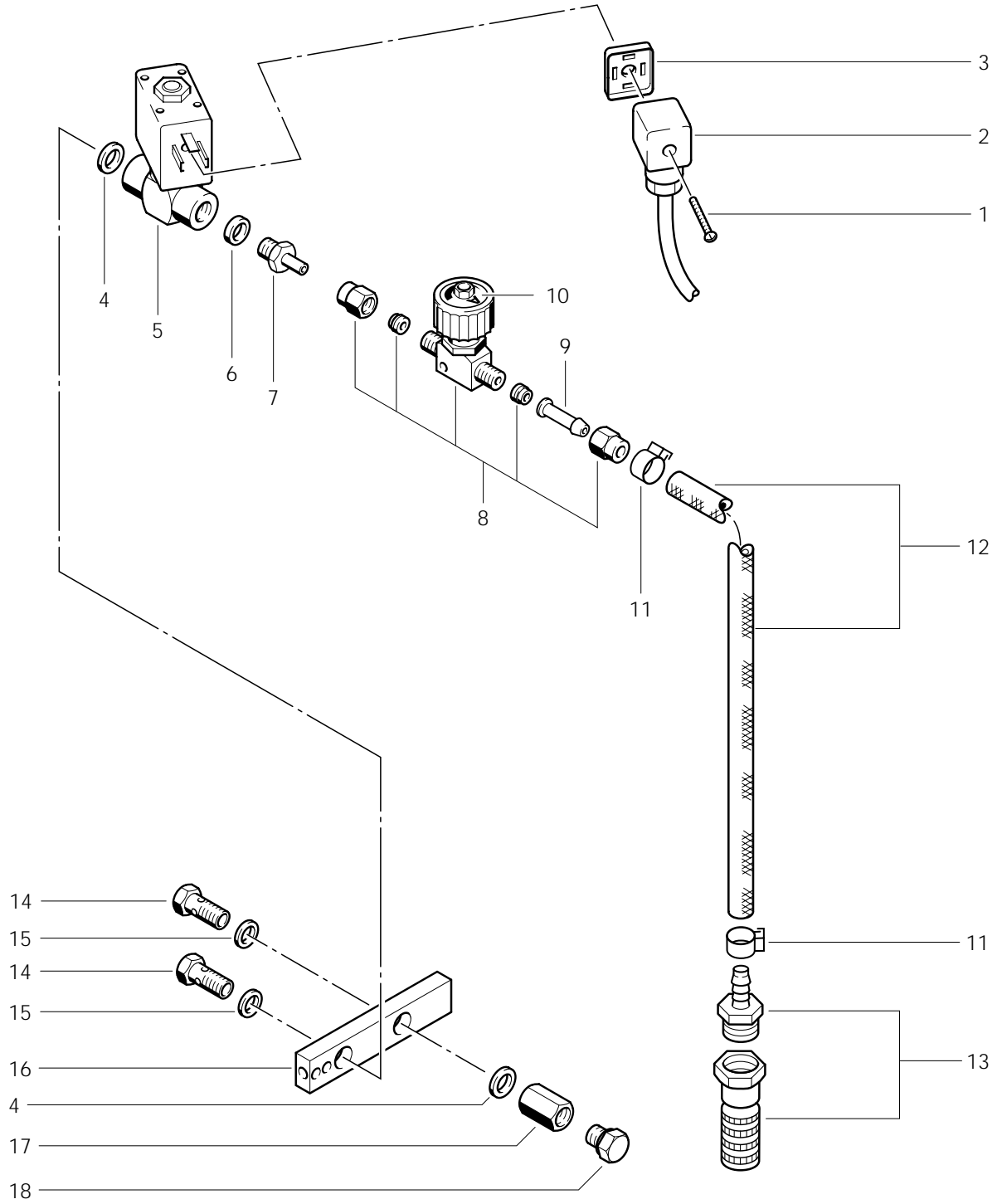
| POS. | NO. | BEZEICHNUNG | DESCRIPTION | DESIGNATION |
|------|-------|-------------------------|-----------------------------|-----------------------------|
| 1 | 24268 | Steuerkolben | CONTROL PISTON | |
| 2 | 34203 | Stift Kerb- 3x16 | Grooved Pin | |
| 3 | 34201 | Führungsstopfen | Plug | |
| ★ | 4 | O-Ring 20,5x1,8 NBR70 | O-Ring | |
| 5 | 34202 | Kolbenstange | Piston rod | |
| ★ | 6 | Führungsring | Guide ring | |
| ★ | 7 | Stützring 13,5x10,7x1,0 | Supporting ring | |
| 8 | 24272 | O-Ring 9,2x1,8 NBR70 | O-Ring | |
| 9 | 62036 | Kolbenkörper | | |
| ★ | 10 | Stützring 13x17x1,5 | Supporting ring | |
| ★ | 11 | O-Ring 12,0x2,5 NBR70 | O-Ring | |
| 12 | 51334 | Gehäuse | HOUSING | |
| ★ | 13 | Ventilkörper | Valve Body | Corps de soupape |
| ★ | 14 | 9854 Kugel | Ball | Bille |
| ★ | 15 | 9855 Feder | Spring | Ressort |
| ★ | 16 | 4656 O-Ring 16,0x2,0 | O-Ring 16x2 | Joint torique 16x2 |
| 17 | 9575 | Verschuß-Schraube | Screw plug | Bouchon |
| 18 | 15940 | Endschalter (Kabel 3m) | SWITCH | |
| 19 | | Zyl. Schraube M3x12 | Socket head cap screw M3x12 | Vis cylindrique M3x12 DIN 8 |
| 20 | 13608 | Anschlagkappe | Stop cap | Capuchon |
| 21 | 33613 | Winkel | Support | |
| 22 | 24275 | Mutter Anschlag- | Stopper | |
| 23 | 34210 | Druckfeder | Spring | |
| 24 | 34209 | Scheibe D10,5 | Disc D10,5 | Rondelle D10,5 |
| 25 | 34208 | Mutter M10x1 | Nut | |
| 26 | | Mutter M5 | Hexagon nut M5 DIN 934 | Ecrou 6 pans M5 DIN 934 |
| 27 | 33639 | Anschlagplatte | Plate | |
| 28 | | Zyl. Schraube M5x20 | Socket head cap screw M5x20 | Vis cylindrique M5x20 DIN 8 |
| ★ | 51740 | Reparatursatz MPV/HD-3 | | |



| POS. | NO. | BEZEICHNUNG | DESCRIPTION | DESIGNATION |
|------|-------|-----------------------------|------------------------|-------------------------|
| 1 | 51390 | Mehrpumpenventil HD-3 | | |
| 2 | 51332 | Nippel-Ausgang VA | NIPPLE | |
| ★ | 3 | 16443 O-Ring 17,0x2,0 | O-Ring 17,0x2,0 | Joint torique 17,0x2,0 |
| ★ | 4 | 9301 Druckfeder | VALVE SPRING | RESSORT DE SOUPAPE |
| ★ | 5 | 51333 Rückschlagkörper | RECOIL BODY | |
| ★ | 6 | 24276 Ventilkörper | Valve Body | Corps de soupape |
| ★ | 7 | 51453 O-Ring 8,3x2,4 FPM85 | | |
| 8 | 51335 | Flansch-Anschluß | FLANGE | |
| 9 | 17974 | Abschlußflansch | | |
| 10 | 51373 | Einschraubstutzen G1/4" -12 | Screwing G1/4" -12 | Raccord G1/4" -12 |
| 11 | 22433 | Mutter Überw- 12L VA | CAP NUT | |
| 12 | 22432 | Schneidring 12L VA | OLIVE | |
| 13 | 24287 | Stiftschraube M6x80 | Pin screw M6 x 80 | Vis goupille M6 x 80 |
| 14 | 33158 | Mutter M6 | Hexagon nut M6 DIN 985 | Ecrou 6 pans M6 DIN 985 |
| 15 | 51331 | Nippel-Eingang VA | NIPPLE | |
| ★ | 51740 | Reparatursatz MPV/HD-3 | | |



| POS. | NO. | BEZEICHNUNG | DESCRIPTION | DESIGNATION |
|------|---|-----------------------------------|-------------------------------|------------------------------|
| ◇ | 1 | 9175 Schlauch DN 6 Mewa | Hose DN 6 per m | |
| | 2 | 11654 Schlauchklemme 11,5 | Hose clamp D-11,5 | Collier D-11,5 |
| | 3 | 4078 Schlauchtülle G¼ | Hose liner G¼ | Embout G¼ |
| | 4 | 11340 Dichtring 13x18x1,5 CU | Packing ring 13x18x1,5 | Anneau d'isolation 13x18x1,5 |
| | 5 | 53730 Magnetventil 180-G1/4-24VDC | Magnetic Valve 180-G1/4-24VDC | |
| | 6 | 6628 Verschraubung XG12LR1/4" | Screwing 12 R¼ | Raccord 12 R¼ |
| | 7 | 1081 Überwurfmutter 12L | Cap nut M12L | Ecrou M12L |
| | 8 | 1080 Schneidring 12L | Tapered ring 12L | Raccord olive 12L |
| | 9 | 1504 Verschraubung XW12L | Screwing 12L Zn | Raccord 12L Zn |
| | 10 | 3938 Verschraubung XG12LR1/4" | Screwing | Raccord |
| | 11 | 17767 Dichtung | Packing | Joint |
| | 12 | 52215 Magnetventilstecker 3,5m | Coupler 3,5 m | Raccord électrique 3,5 m |
| | 13 | 45516 Schraube Li- M3x30 | Oval-Head Screw M3 x30 | |
| ◇ | ACHTUNG! - Meterware - Bitte bei Bestellung gewünschte Länge angeben! | | | |
| ◇ | ATTENTION! - Lengths in metres - Please indicate required length when ordering! | | | |
| ◇ | ATTENTION! - Longueurs par mètre - Préciser la longueur à la commande! | | | |



| POS. | NO. | BEZEICHNUNG | DESCRIPTION | DESIGNATION |
|------|---|---|----------------------------------|-------------------------------|
| 1 | 17768 | Linsenschraube M3x25 | Lens head counters. screw M3x25 | Vis tete plate M3x25 DIN 7981 |
| 2 | 52215 | Magnetventilstecker 3,5m | | |
| 3 | 17767 | Dichtung | Packing | Joint |
| 4 | 15859 | Dichtring 10x16x1,5 CU | Sealing Ring 10 x 16 x 1,5 CU | |
| 5 | 53295 | Magnetventil 2/2 DN2G1/8 24VDC | Magnetic Valve 2/2 DN2G1/8 24VDC | |
| 6 | 2838 | Dichtring 10x14x3 CU | Packing ring 10x14x3 | Anneau d'isolation 10x14x3 |
| 7 | 24570 | Einschraub-Stutzen G1/8x26 VA | Screwing G1/8x26 VA | |
| 8 | 12118 | Regulierventil | Control valve | Soupape de reglage |
| 9 | 17519 | Schlauchtülle | Hose liner | Embout |
| 10 | 12117 | Wap-Scheibe A | Wap Nameplate A | |
| 11 | 11654 | Schlauchklemme 11,5 | Hose clamp D-11,5 | Collier D-11,5 |
| ◇ | 12 | 4973 | Schlauch DN 6x3 | Hose DN 6x3 Tuyau DN 6x3 |
| 13 | 17508 | Fußventil 3/8" | Strainer Valve 3/8" | Crépine complète 3/8" |
| 14 | 17190 | Schraube Hohl- R1/8x27 A2 | Banjo Bolt R1/8x27 A2 | |
| 15 | 1605 | Dichtring 10x14x1,5 CU | Packing ring 10x14x1,5 | Anneau d'isolation 10x14x1,5 |
| 16 | 12281 | Chemiesammelstück HPM 3/54 | CHEMICALS COLLECTING PIECE | |
| | 23842 | Chemiesammelstück HPM 3/30, HPM 3/39 | | |
| 17 | 20486 | Muffe G1/8" | Sleeve G1/8" | |
| 18 | 22518 | Verschlussschraube | Screw plug | Bouchon |
| ◇ | ACHTUNG! - Meterware - Bitte bei Bestellung gewünschte Länge angeben! | | | |
| ◇ | ATTENTION! - Lengths in metres - Please indicate required length when ordering! | | | |
| ◇ | ATTENTION! - Longueurs par mètre - Préciser la longueur à la commande! | | | |