

NEPTUNE 1

Model:
NEPTUNE 1-22

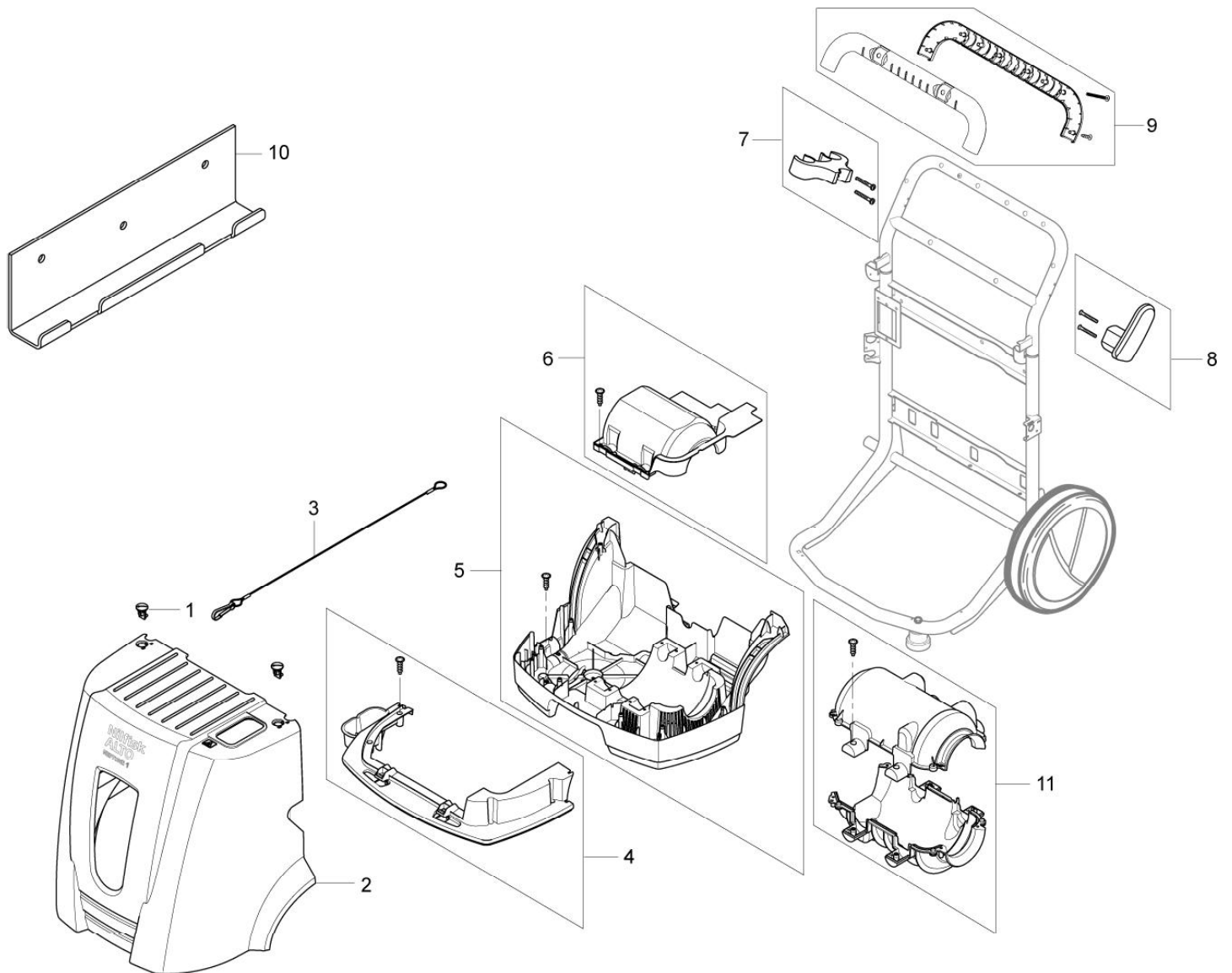


Part List US-English

06-08-2009

Nilfisk
ALTO
Why Compromise

Cabinet	3
Frame	5
Fueltank and detergent tank	7
Motor pump unit	9
EI-box	11
Burner unit	14
Distributor, Flow switch	16
Heat exchanger	18
Heat exchanger assy., ignition transformer	20
Sandfilter NEPTUNE 2	22
Default accessories	24



Cabinet

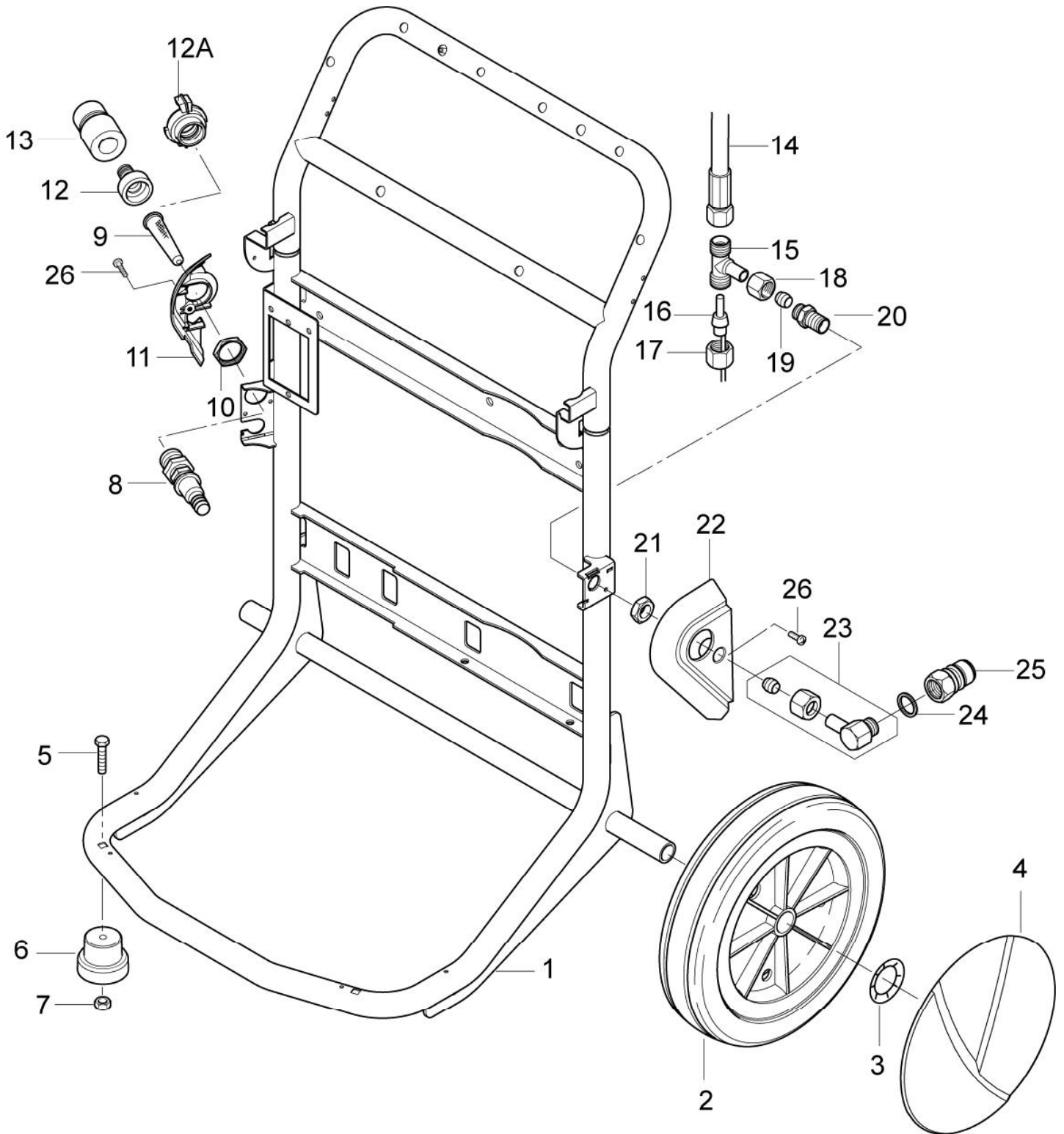
NEPTUNE 1

06-08-2009

Part List ID
NEP104

4

Pos	Part no.	Qty	Description	EAN
1	301001261	2	LOCKING BOLT Ø29X35	4005337042
2		1	NOTE COMMENT NEW	5701715456
3	101117711	1	WIRE FOR COVER	4005337165
4	101117672	1	FRONT BUFFER TOP KIT.	4005337152
5	101117667	1	BUMPER BUTTOM KIT	4005337158
6	101117668	1	MOTOR COVER	4005337152
7	101117666	1	TOP LANCE HOLDER KIT	4005337152
8	101117682	1	HOOK FOR HOSE COMP	4005337152
9	101117665	1	HANDLE KIT - NEPTUNE 2	4005337152
10	107145347	1	WALL MOUNTING BRACKET KIT	4005337154
11		1	NOTE COMMENT NEW	5701715456



Frame

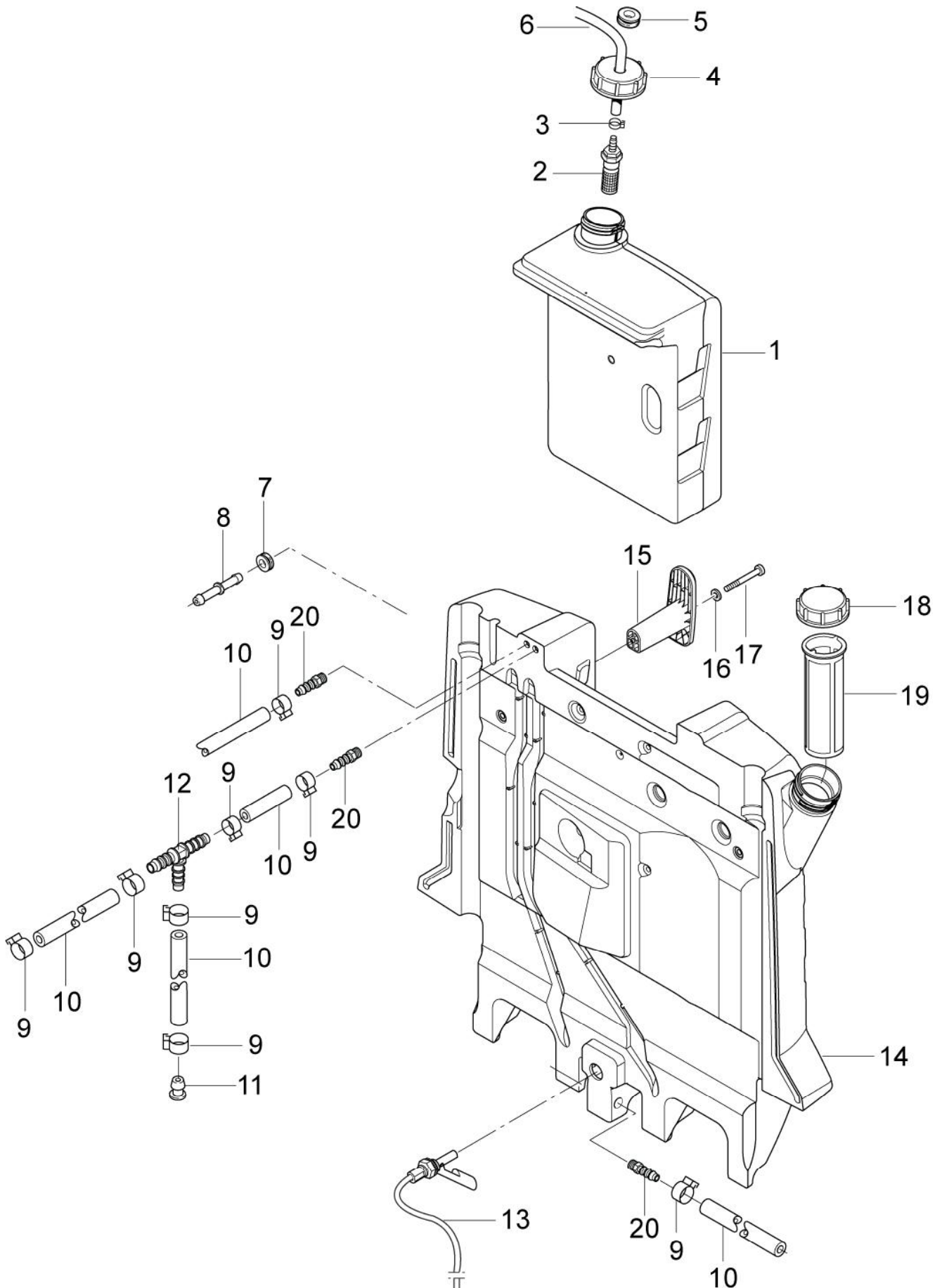
NEPTUNE 1

06-08-2009

Part List ID
NEPTUNE202

6

Pos	Part no.	Qty	Description	EAN
1	101117742	1	FRAME CPL. NEPTUNE2	4005337155
2	6184074	2	WHEEL Ø300	5701715078
3	46363	2	CLAMPING RING Ø25	4005337463
4	301001077	2	WHEEL CAP Ø234	4005337031
5	101117745	2	M8 X 45 ISO 7380 FZB603	4005337155
6	101117743	2	SUSTAINER	4005337155
7	61467	2	HEXAGON NUT M8	4005337614
8	6100937	1	FILTER HOUSING	5701715063
9	6100941	1	FILTER	5701715000
10	1800341	1	LOCK NUT 3/4IN	5701715026
11	101117679	1	COVER FOR INLET COMP	4005337158
12	32541	1	GARDENA MALE 3/4	4005337325
13	1602945	1	QUICK COUPLING 3/4IN W/GASKET	5701715024
14	101117740	1	HP HOSE 295MM	4005337155
15	4102	1	SCREWING	4005337041
16	101117741	1	TEMP SENSOR WITH CABLE	4005337155
17	1081	1	UNION NUT L 12	4005337010
18	1081	1	UNION NUT L 12	4005337010
19	1080	1	RING L 12	4005337010
20	101117744	1	FITTING FOR OUTLET	4005337155
21	1803220	1	LOCK NUT M18X1.5	5701715028
22	101117680	1	COVER FOR OUTLET COMP	4005337152
23	101117681	1	ANGLE FITTING COMP	4005337152
24	1801075	1	PACKING RING Ø 23,8X Ø 17,2	5701715027
25	1600493	1	NIPPLE F. Q-COUPL. 3/8IN HP	5701715023
26	1813575	2	SCREW M5X12	5701715031
12a	1718	1	GEKA COUPLING INT THREAD 3/4	4005337017



Fuel tank and detergent tank

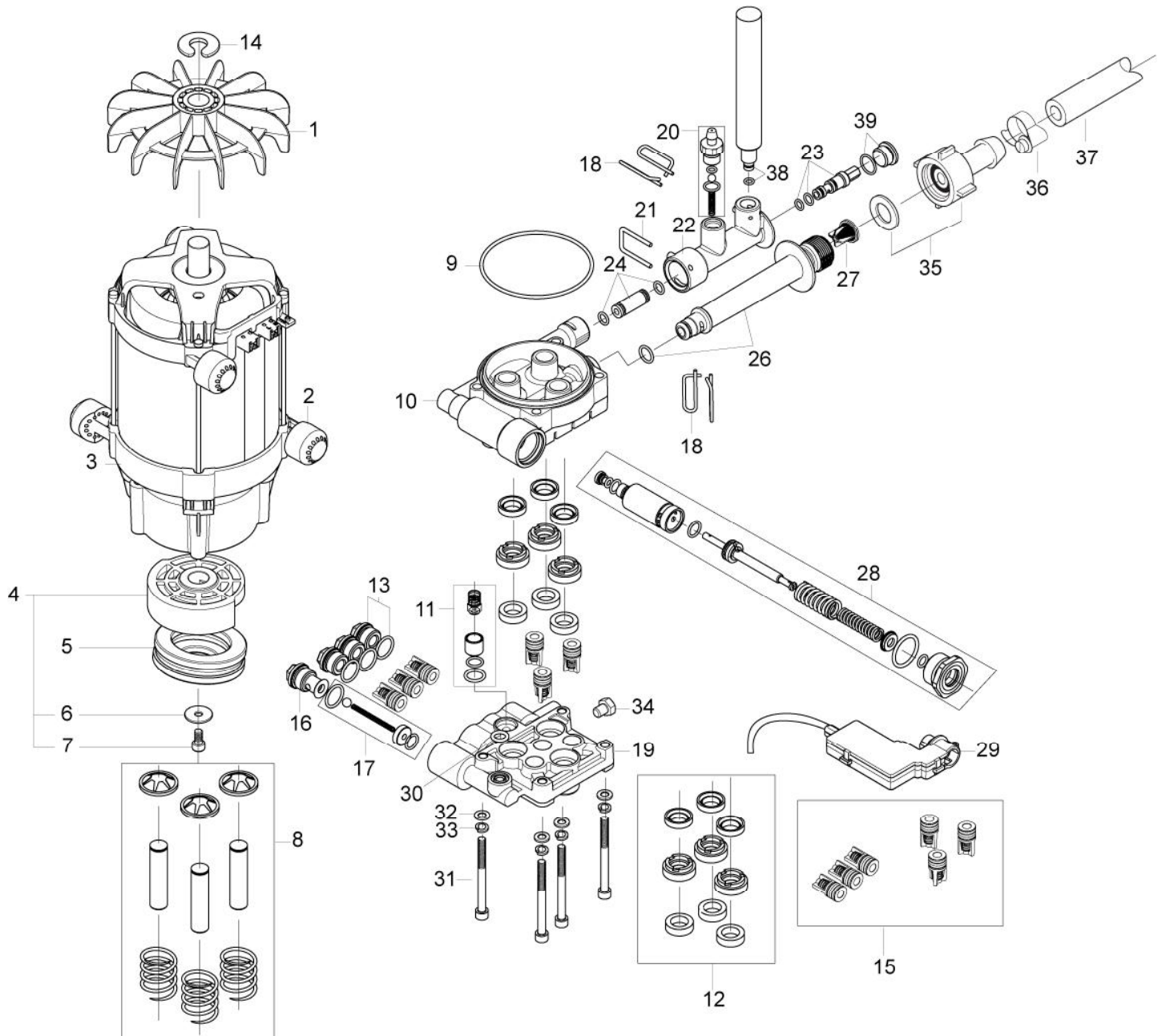
NEPTUNE 1

06-08-2009

Part List ID
NEPTUNE206

8

Pos	Part no.	Qty	Description	EAN
1	101117750	1	DETERGENT HOSEW/CAP AND FILTER	4005337165
2	17508	1	STRAINER VALVE 6	5701715306
3	301001133	1	HOSE CLAMP 10/7	4005337033
4	80493	1	COVER-CAN 65X22	4005337804
5	101117749	1	CABLE GROMMET	4005337155
6	5206636	1	HOSE 6/10	5701715046
7	101117753	2	GROMMET 60/110/50 NEOPREN	up to 12.08 4005337165
8	101117748	2	PLUG FOR D6 / D10 HOSE	up to 12.08 4005337165
9	301001133	9	HOSE CLAMP 10/7	4005337033
10	5226220	1	HOSE D6X2,5	5701715208
11	101117751	1	VENTILATIONS PLUG FOR 6/10 HOSE	4005337155
12	101117794	1	T CONNECTOR PIECE D6	4005337162
12	2399	1	HOSE LINER	4005337023
13	101117746	1	LOW FUEL CUT OUT SWITCH	4005337155
14	101117747	1	FUEL TANK	4005337155
15	101117678	2	CABLE HOOK COMP	4005337152
16	1800440	2	WASHER (1101320,1103440)	5701715026
17	31410	2	HEXAGON SOCKET HEAD CAP S	4005337314
18	101117752	1	CAP FOR FUEL TANK	4005337155
19	1604222	1	STRAINER	5701715025
20	101117795	1	HOSE FITTING FOR FUEL TANK	From 12.08 4005337162



Motor pump unit

NEPTUNE 1

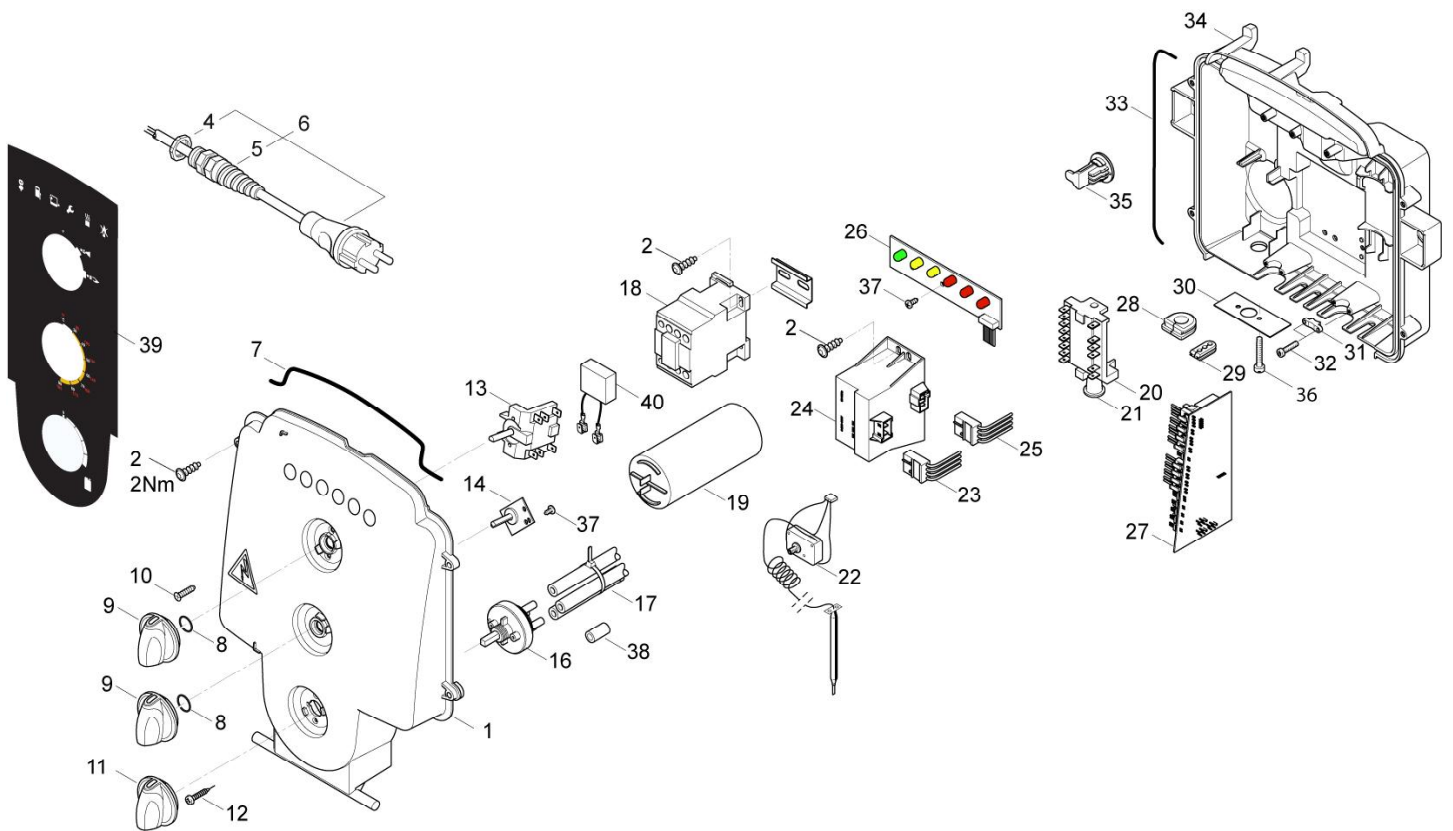
06-08-2009

Part List ID

NEP106

10

Pos	Part no.	Qty	Description	EAN	
1	127500040	1	NEW FAN	5703887104	
2	6524050	1	RACK	5701715261	
3	127500000	1	MOTOR 230-240V 50HZ 2.9KW	5703887102	
4	127500001	1	WOBBLE DISK 230-240V50HZ2.9KW	5703887102	
5	127500002	1	THRUST BALL BEARING	5703887102	
6	127130066	1	WASHER D22XD6.4X1.5	5703887102	
7	3913	1	SCREW M6X12	4005337039	
8	127500003	1	PISTON COMPLETE 3PCS	5703887102	
9	127500020	1	O-RING	5703887104	
10	127500004	1	CYLINDER GUIDE	5703887102	
11	127500013	1	NON RETURN VALVE	5703887104	
12	127500037	1	SEALING PARTS SYSTEM	5703887104	
13	127500015	1	PLUG M18X1.5 WITH O-RING	5703887104	
14	127500051	1	LOCK RING	5703887104	
15	127500036	1	INLET/OUTLET VALVE SYSTEM 6PCS	5703887104	
16	127500005	1	EASY START PLUG	5703887102	
17	127500014	1	KIT FOR EASY START	5703887104	
18	126528532	1	LOCK BRACKET	5703887100	
19	127500006	1	CYLINDER HEAD	5703887102	
20	127500017	1	CONNECTION PIECE	5703887104	
21	127500021	1	LOCK BRACKET	5703887104	
22	127500023	1	OUTLET X-TRA	5703887104	
23	126528656	1	INJECTOR BORDEAUX	5701715420	
24	127500007	1	REDUCTION WITH O-RING	5703887102	
26	127500008	1	WATER INLET	5703887102	
27	6525579	1	FILTER. EXCELLENT	5701715352	
28	127500052	1	S/S VALVE COMPLETE	5703887106	
29	127500010	1	MICRO SWITCH BOX SYSTEM	5703887102	
30	127500073	1	O-RING	5703887104	
31	127500071	1	SCREW	5703887104	
32	127500029	1	WASHER	5703887104	
33	127130063	1	SPRING WASHER M6 DIN 127B	5703887105	
34	127500072	1	SCREW	5703887104	
35		1	NOTE COMMENT	hosetail	5701715456
36		1	NOTE COMMENT	hose clip	5701715456
37		1	NOTE COMMENT	hose	5701715456
38		1	NOTE COMMENT	hp hose	5701715456
39	127500076	1	X-TRA PLUG ON OUTLET	5703887104	



Pos	Part no.	Qty	Description	EAN
1	101117734	1	ELECTRIC BOX LID	4005337155
2	101814782	2	SCREW PT KB50X18	4005337170
3		1	POWER C.H07RN 4G1.5 CEE5 GDN 6.3X0.8 KIT	4005337160
3		1	POWER C.H07RN 4G1.5 GDN 6.3X0.8 KIT	4005337161
4	909100019	1	HEXAGON THIN NUT M20X1.5 EN 50262 PA	4005337016
5	909100043	1	CABLE SCREWING W. ANTIBUC. M20X1.5	4005337679
6	101117809	1	POWER C.H07RN 3G1.5 CEE7 GDN 6.3X0.8 KIT	4005337160
6	101117812	1	POWER C.H07RN 3G1.5 BS13 GDN 6.3X0.8 KIT	4005337161
7	101117738	1	FOAM LIST FOR E-BOX	4005337155
8	9868	2	O RING DIA 10X2,5	4005337098
9	909100204	1	ROTARY KNOB 6X5 BLUE	4005337689
10	18274	2	COUNTERSUNK SCREW M4X12	4005337182
11	909100214	1	ROTARY KNOB GR.1 4KT. 6X6+8X8 BLUE	4005337026
12	1814730	2	SCREW 30X10B	5701715363
13	28877	1	SWITCH	4005337288
14	101117730	1	PCB FOR POTENTIOMETER	4005337155
15	101117729	1	CABLE BETWEEN MAIN PCB AND POTI	4005337155
16	301001000	1	VALVE 51X70	4005337028
17	5206636	1	HOSE 6/10	5701715046
18	301001228	1	CONTACT 100-K12KJ3M 24	4005337038
18	63903	1	CONTACT 100-C16KJ10 24	4005337639
19		1	NOTE COMMENT	5701715456
20	301000293	1	SWITCH START/TRIANGLE 16	4005337672
21	64580	1	ROTARY KNOB	4005337645
22	101117723	1	EXH LIMIT SWITCH	4005337160
23	101117728	1	CABLE F. POWER TRANSF. PRIMARY 400VNO/US	4005337155
24	101117724	1	POWER TRANSFORMER 230/400-24/8V T70	4005337154
25	101117727	1	CABLE FOR POWER TRANSFORMER	4005337154
26	101117731	1	PCB FOR LCD	4005337160
27	101117732	1	MAIN PCB	4005337155
28	301002746	2	GROMMET CONNECTION HOSE	4005337115
29	101117735	4	CABLE GROMMET 3 HOLES	4005337155
30	101117736	1	LABEL FOR SWITCH 230 400 V	4005337155
30	101117737	1	LABEL FOR SWITCH 220 440 V	4005337155
31	3806262	1	STRAIN RELIEF BRACKET 27.	5701715042
32	909100046	2	SCREW 4X8	4005337679
33	101406054	2	SPONGE RUBBER Ø4 1M	5701715457
34	101117733	1	ELECTRIC BOX	4005337155
35	301001261	2	LOCKING BOLT Ø29X35	4005337042
36	101117739	2	PAN HEAD SCREW	4005337156
37	2759	2	HEXAGON NUT M4	4005337027
38	301001906	2	CLOSING CAP Ø12X21.5	4005337068

El-box

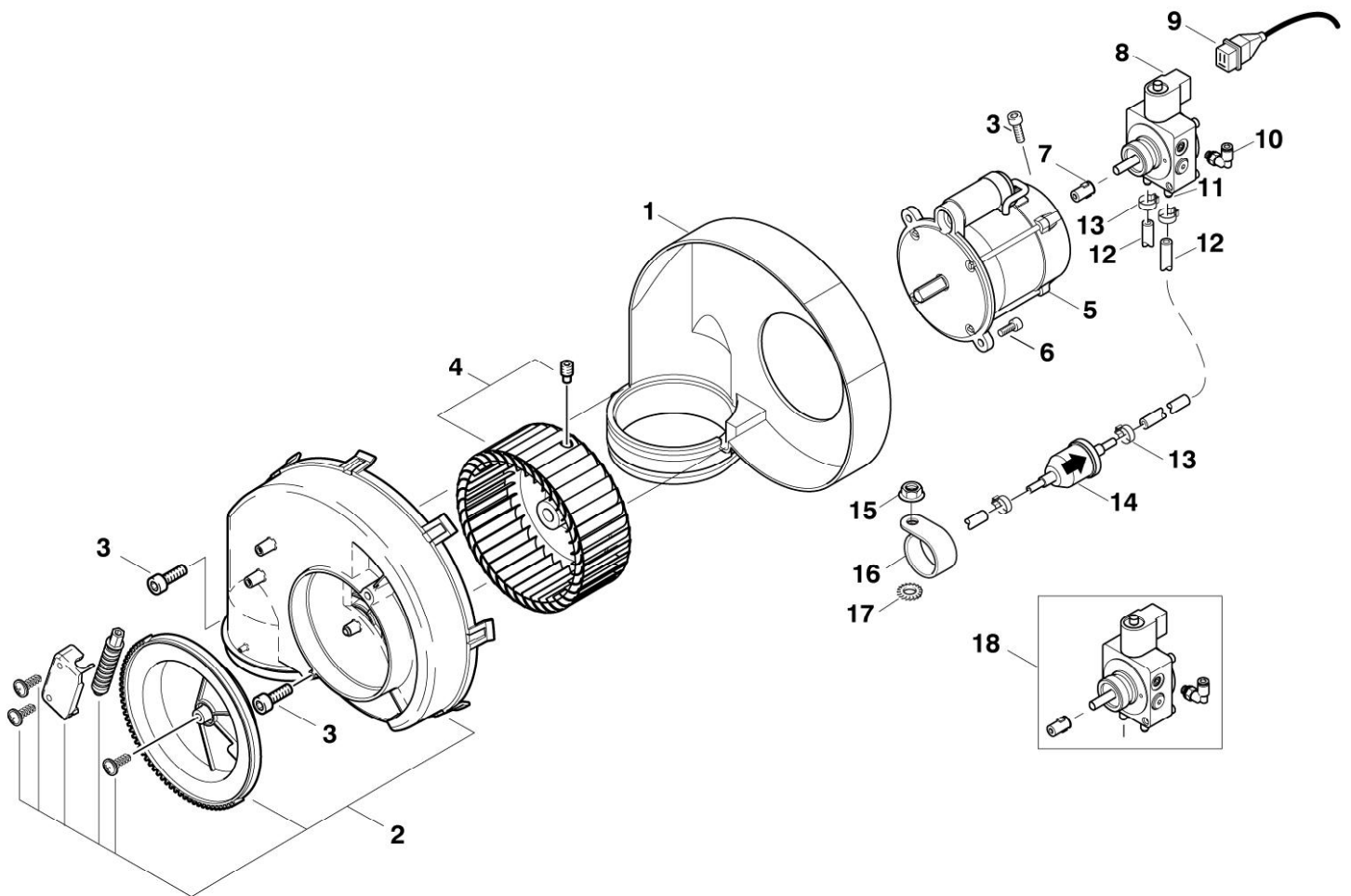
NEPTUNE 1

06-08-2009

Part List ID
NEP108

13

Pos	Part no.	Qty	Description		EAN
39		1	NOTE COMMENT	LABEL	5701715456
40		1	NOTE COMMENT	noise relay	5701715456



Burner unit

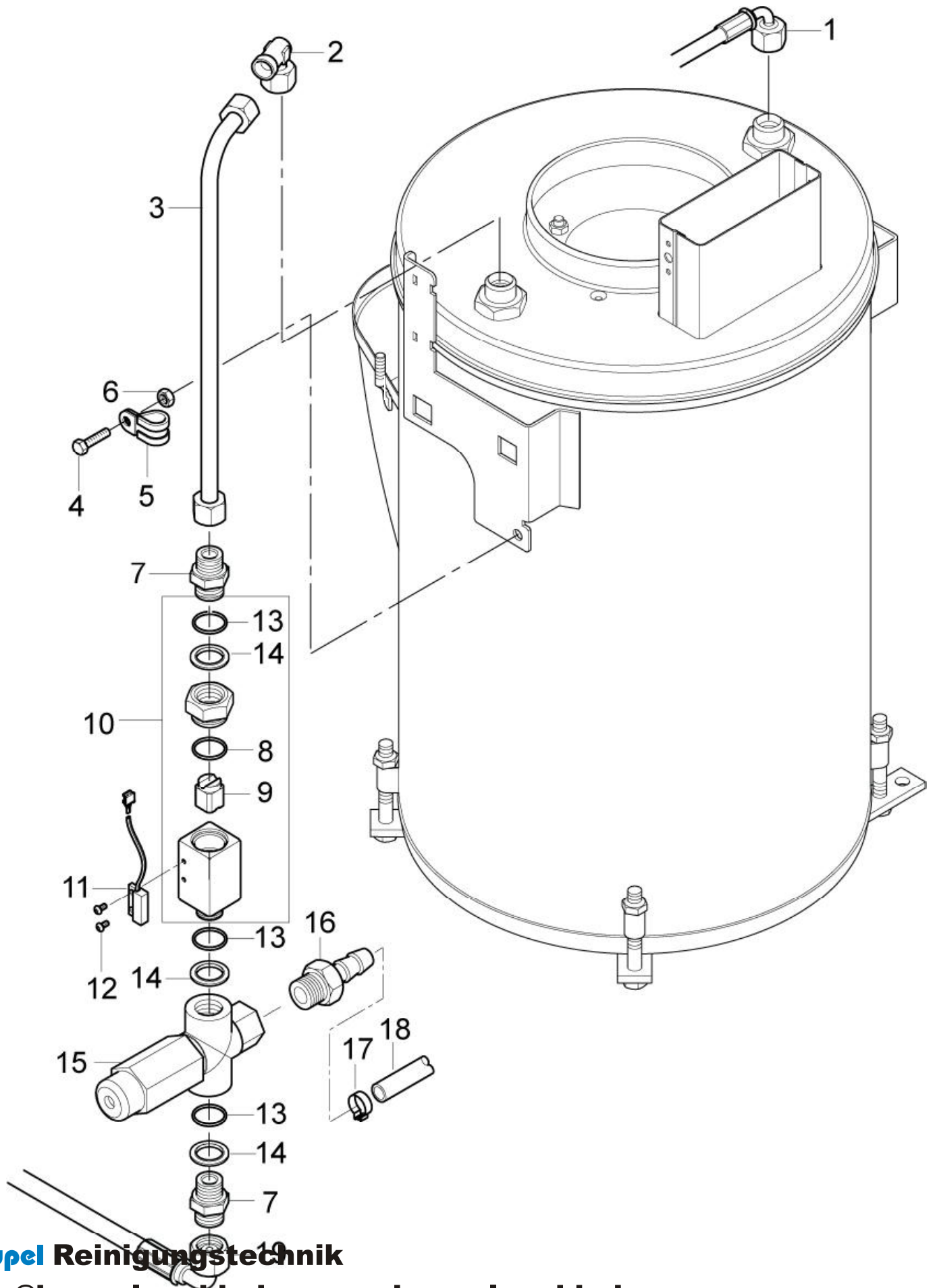
NEPTUNE 1

06-08-2009

Part List ID
NEPTUNE220

15

Pos	Part no.	Qty	Description	EAN
1	101117704	1	FAN HOUSING N2	4005337165
2	301000852	1	COVER FOR FAN HOUSING	4005337022
3	32535	3	SCREW M5X16	4005337325
4	301000889	1	FAN WHEEL Ø160X60	4005337023
5	101117708	1	BURNER MOTOR 250W - 110V	4005337154
5	101117709	1	BURNER MOTOR 390W - 200V	4005337154
5	101117710	1	BURNER MOTOR 300W - 230V	4005337154
6	4697	2	SCREW M6X16	4005337046
7	101117707	1	COUPLING FOR OIL PUMP BFA 01 L3L	4005337154
8	101117775	1	COIL FOR OIL PUMP BFA 01 L3L	
9	101117703	1	CABLE FOR OIL SOLENOIDE	4005337154
10	101117706	1	PUSH-IN ANGLE FITTING	4005337165
11	101117777	1	HOSE CONNECTIONS FOR OIL PUMP BFA 01 L3	
12	5226220	1	HOSE D6X2,5	5701715208
13	11654	2	HOSE CLAMP DIA 11,5	4005337116
14	301002926	1	INLINE FILTER 101X36.5X6 KU	4005337122
15	12496	1	HEXAGON NUT M6	4005337172
16	101117705	1	HOLDER FOR FUEL FILTER	4005337154
17	7062	1	SERRATED LOCK WASHER 6,4	4005337070
18	101117673	1	OIL PUMP INCL. FITTINGS	4005337152



Distributor, Flow switch

NEPTUNE 1

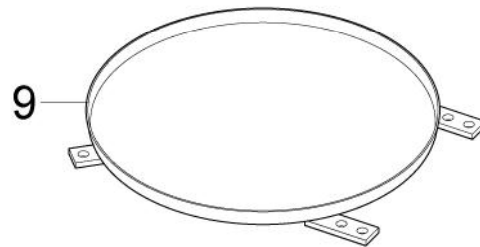
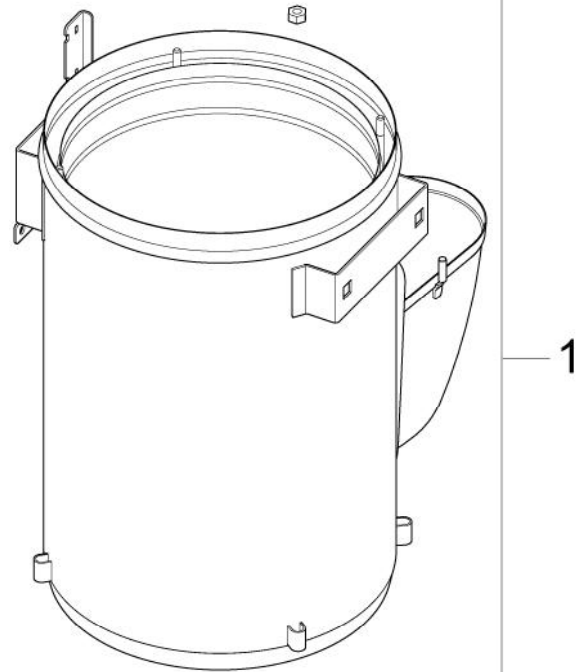
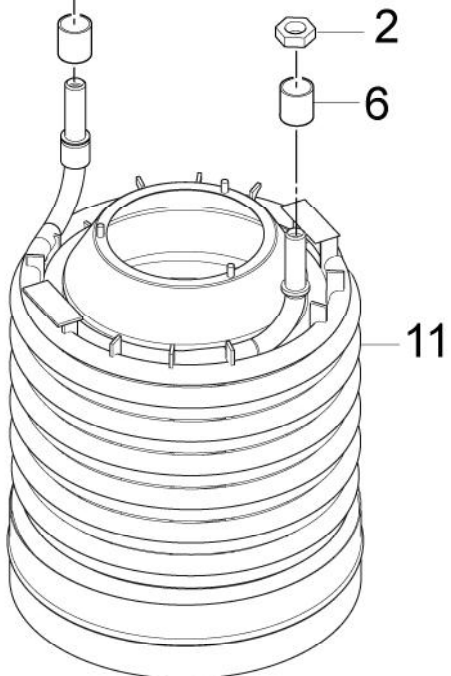
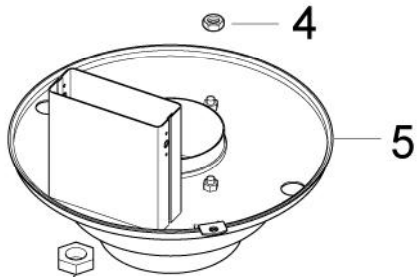
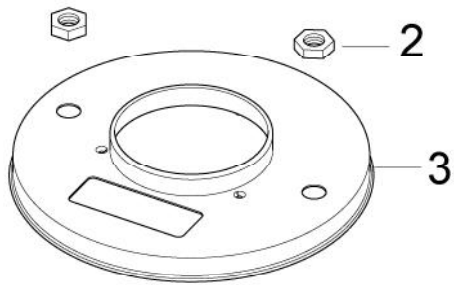
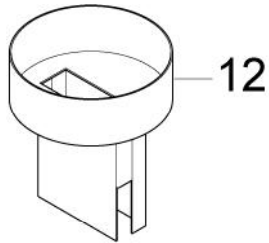
06-08-2009

Part List ID

NEP110

17

Pos	Part no.	Qty	Description	EAN
1	101117740	1	HP HOSE 295MM	4005337155
2	101117677	1	ANGLE FOR BOILER COMP	4005337152
3	101117676	1	STEEL PIPE COMP.	4005337165
4	4697	1	SCREW M6X16	4005337046
5	101117718	1	CLAMP FOR PIPE	4005337154
6	11619	1	HEXAGON NUT M6	4005337116
7	1601079	2	THREADED CONNECTION	5701715024
8	G120381	1	O-RING. 18.00X2.00 N70	5701715431
9	101117716	1	MAGNET HOUSING CPL.	4005337165
10	101117675	1	FLOW SWITCH COMP.	4005337158
11	101117719	1	REED SWITCH FOR FLOW SWITCH	4005337154
12	101117717	2	SCREW TORX M3X6 ELECTRO PLATED DIN 7985	4005337154
13	16998	3	O-RING	4005337169
14	1801075	3	PACKING RING Ø 23,8X Ø 17,2	5701715027
15	101117720	1	SAFETY VALVE ADJUSTED TO 146 BAR	4005337154
15	101117721	1	SAFETY VALVE ADJUSTED TO 234 +/-5 BAR	4005337154
15	101117722	1	SAFETY VALVE ADJUSTED TO 250 +/-5 BAR	4005337154
16	2580	1	HOSE LINER Ø 6 G3/8	4005337025
17	11654	1	HOSE CLAMP DIA 11,5	4005337116
18	5206054	1	HOSE EXT 12X3.0 BLUE	4005337171
19		1	NOTE COMMENT	NEW 5701715456



Heat exchanger

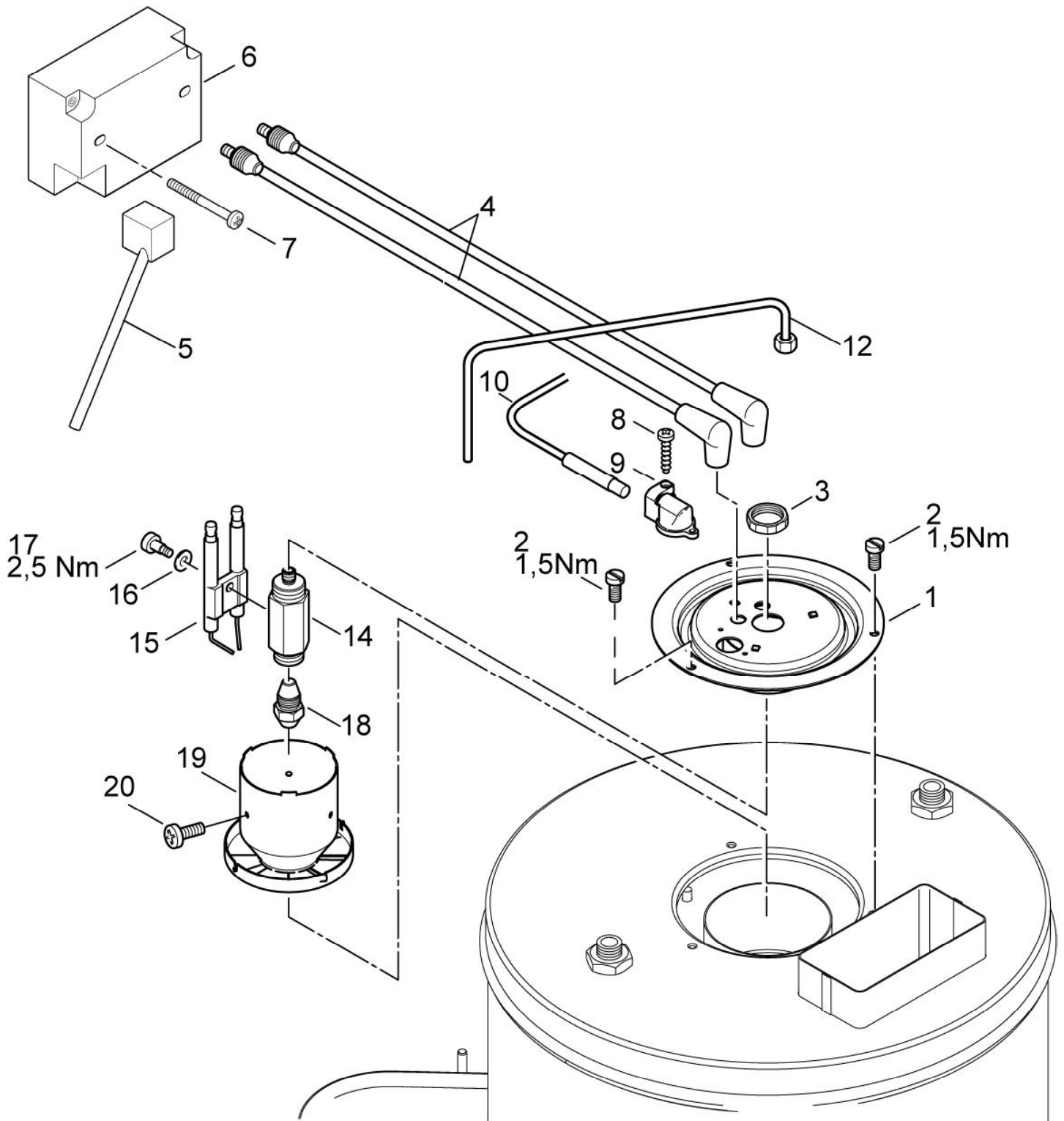
NEPTUNE 1

06-08-2009

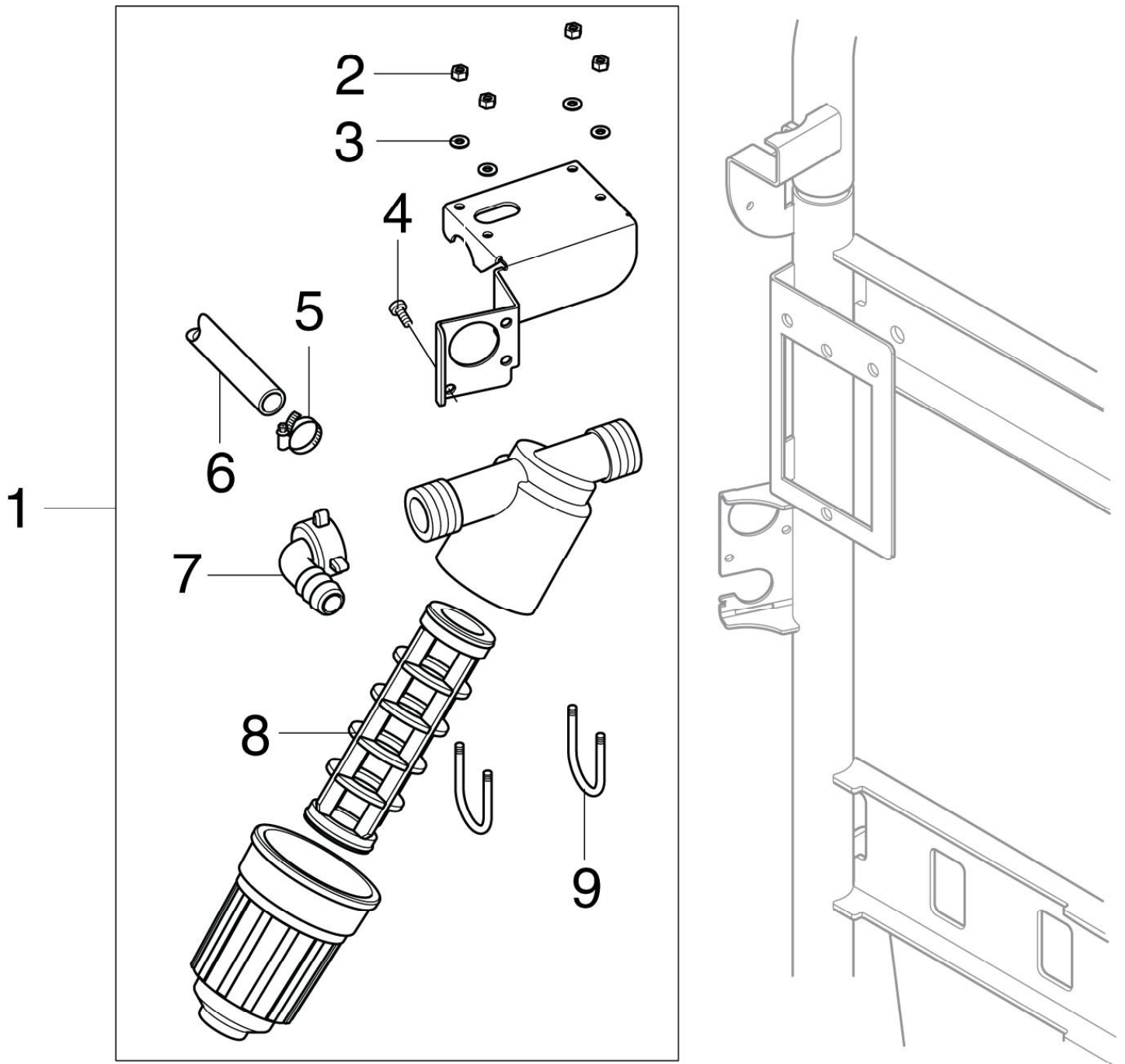
Part List ID
NEPTUNE224

19

Pos	Part no.	Qty	Description	Accessories	EAN
1	101117754	1	BOILER N2		4005337156
1	101117783	1	NEPTUNE 2 BOILER W. STAINLESS STEEL COIL	accessory	5715492040
2	7012	4	HEXAGON NUT M18X1,5		4005337070
3	101117768	1	BOILER COVER OUTER		
4	12263	4	HEXAGON NUT M6		4005337031
5	101117767	1	BOILER COVER INNER		
6	301000582	2	BUSHING Ø22X1.5X24		4005337024
7	101117684	1	ISOLATION KIT NEPTUNE 2		
8	3453	4	SCREW M8X60		4005337034
9	101117755	1	BOTTOM COVER BOILER		
10	2758	4	HEXAGON NUT M8		4005337027
11	101117790	1	COIL FOR B2 BOILER		
11	107145351	1	STAINLESS COIL	accessory	
12	107145328	1	CHIMNEY ADAPTOR KIT	accessory	4005337159



Pos	Part no.	Qty	Description	EAN
1	101117757	1	COVER FOR BOILER COMPLETE	4005337155
2	4820	3	SCREW M5X10	4005337048
3	909100139	1	HEXAGON NUT M20X1 24X6 CUZN	4005337023
4	101117760	1	IGNITION CORD 7X500 - DANFOSS	4005337155
5	101117756	1	PRIMARY CABLE FOR IGNITION COIL	4005337155
6	101117759	1	IGNITION TRANSF 220-240 50-60 - DANFOSS	4005337155
6	301002083	1	IGNITION TRANSFORMER 110-120 50-60	4005337076
7	42236	2	CHEESE HEAD SCREW	4005337422
8	5606	1	SCREW 2.9X19	4005337056
9	301000934	1	HOLDER FLAMESENSOR	4005337025
10	101117837	1	FLAME SENSORPLUG KIT	4005337171
12	101117674	1	FUEL PIPE COMP.	4005337152
14	301001548	1	HOLDER OIL ATOMIZER SW22X65.5	4005337059
15	301150009	1	SPARE PART KIT FOR IGNITION ELECTRODE	4005337158
16	909100144	1	SPRING WASHER B5	4005337025
17	909100143	1	PAN HEAD SCREW M4X 4.5	4005337026
18	301002856	1	FUEL NOZZLE 0.75 60 DEG.	4005337158
19	301002848	1	BAFFLE PLATE Ø80 X 71.3	4005337119
20	51848	3	OVAL HEAD SCREW M3X4	4005337518



Sandfilter NEPTUNE 2

NEPTUNE 1

06-08-2009

Part List ID
NEPTUNE232

23

Pos	Part no.	Qty	Description	EAN
1	107145337	1	SAND FILTER CPL.	4005337165
2	1800127	4	LOCK NUT M4	5701715026
3	3092	4	WASHER 4.3X0.8	4005337030
4	1813575	3	SCREW M5X12	5701715031
5	9262	1	HOSE CLIP 12-20	4005337092
6	5206230	1	HOSE 5/8IN	4005337171
7	5613	1	HOSE NOZZLE	4005337056
8	31000110	1	FINE SAND INSERT 22MICRON	
9	G040179	2	CLAMP FOR FILTER Ø4X97	5701715425

Default accessories

NEPTUNE 1

06-08-2009

Part List ID
NEP112

24

No Drawing For Part List

Default accessories

NEPTUNE 1

06-08-2009

Part List ID
NEP112

25