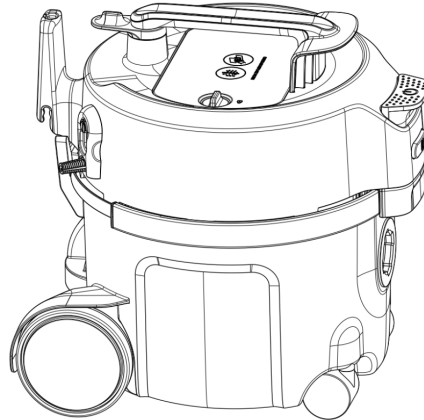


PARTS LIST

VP 300



heupel Reinigungstechnik GmbH

Gottlieb Daimler Str. 6
88214 Ravensburg

email: info@heupel-gmbh.de
www.heupel-gmbh.de

Tel: (049) 0751 - 35905-3
Fax: (049) 0751 - 35905-59

Shop: www.heupel-shop.de

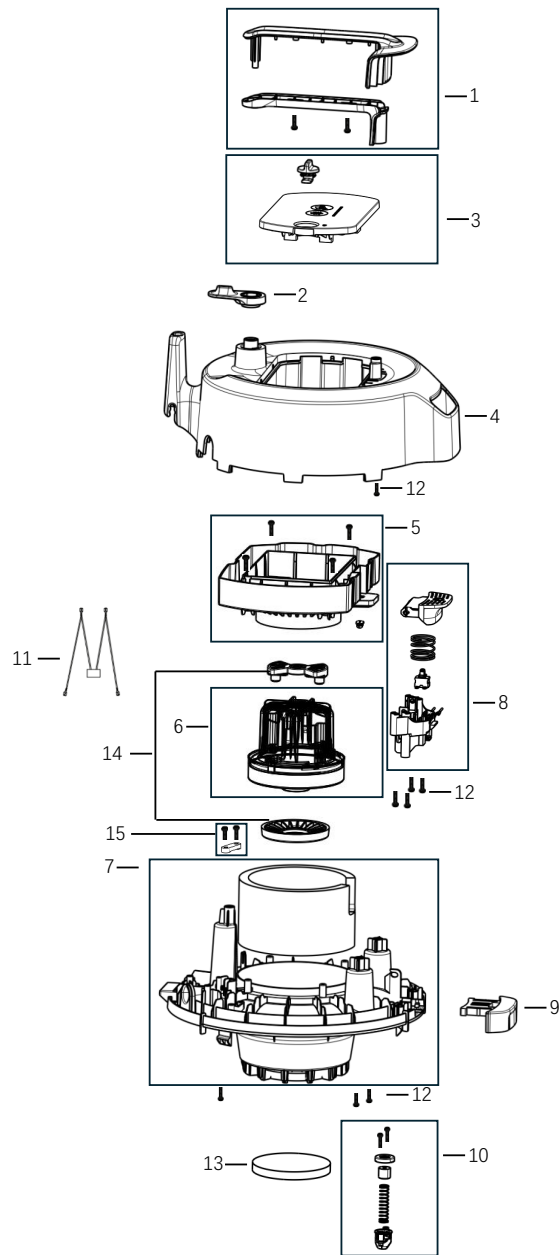
Heupel - Reinigungstechnik - Beratung, Verkauf, Service, alles aus einer Hand.

2025.03.11

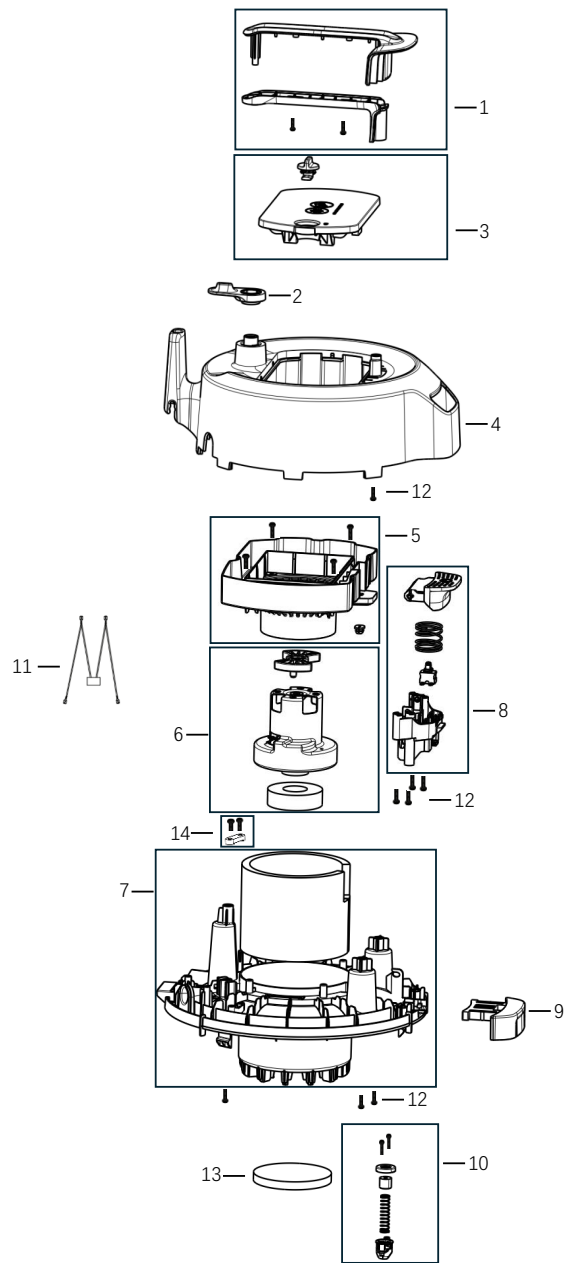
NILFISK

TABLE OF CONTENTS

OVERVIEW_FIXED_VERSION FOR 463 MOTOR.....	1
OVERVIEW_FIXED_VERSION.....	3
CONTAINER.....	5
ACCESORIES.....	7



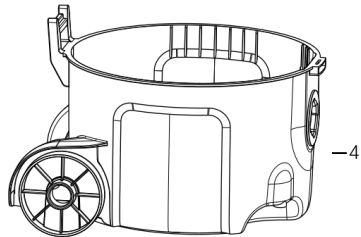
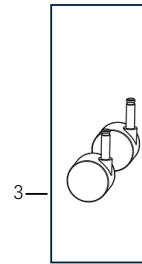
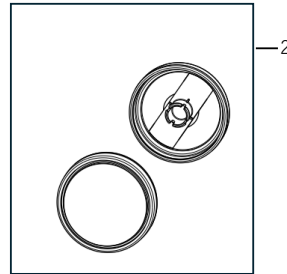
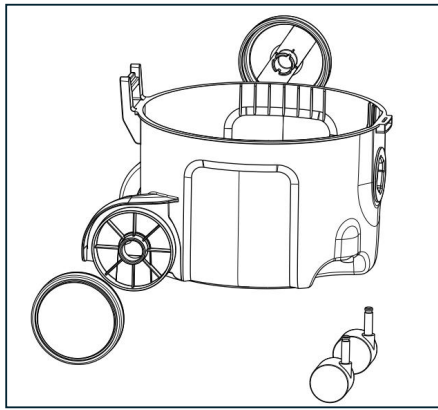
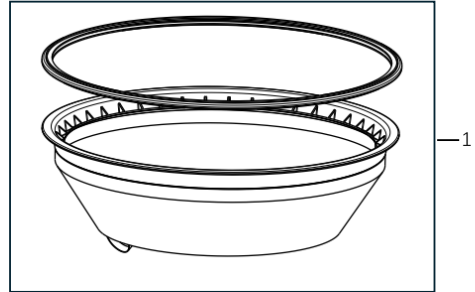
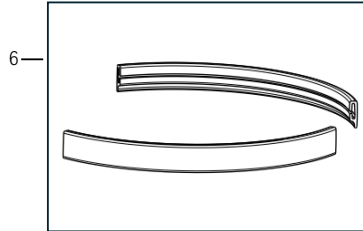
Pos.	Artikel-Nr.	Menge	Variante	Notes
1	55943964	1	HANDLE FOR VP300 KIT NEED ASSM	
2	55943965	1	QUICK RELEASE CLIP SP	
3	55943966	1	EXHAUST FILTER PANEL FOR 120V 800W KIT N	
4	559505147	1	UPPER COVER FIXED RECYCLED PRINT SP	
5	55943985	1	MOTOR CAP KIT	
6	55943969	1	DOMEL 463 3 404 29 SP	
7	559505117	1	CHASSIS FIXED FOR 463 MOTOR KIT NEED ASS	
8	55943977	1	FOOT BUTTON KIT	
9	55943981	1	LATCH SP	
10	55943982	1	VALVE KIT NEED ASSM	
11	559505142	1	SINGLE SPEED SUPPRESSOR JP SP	
12	107419089	1	SCREW PT K40X20 COMBI TORX KIT	
13	147 0670 500	1	Motorfilter	
14	55943980	1	SEALING FOR DOMEL 463 MOTOR KIT	
15	55943978	1	ANTI STRAIN CLIP SP	
	559505166	1	FIEXD POWER CORD 15M JP BLACK SP	



Pos.	Artikel-Nr.	Menge	Variante	Notes
1	55943964	1	HANDLE FOR VP300 KIT NEED ASSM	
2	55943965	1	QUICK RELEASE CLIP SP	
3	559505119	1	EXHAUST FILTER PANEL FOR 230V 800W KIT	
4	559505145	1	UPPER COVER FIXED PRINT SP	
5	55943985	1	MOTOR CAP KIT	
6	55943988	1	DOMEL 441.3.302-50 SP	
7	559505146	1	CHASSIS FIXED KIT	
8	55943977	1	FOOT BUTTON KIT	
9	55943981	1	LATCH SP	
10	55943982	1	VALVE KIT NEED ASSM	
11	559505144	1	SINGLE SPEED SUPPRESSOR AU/EU/US/CN SP	
12	107419089	1	SCREW PT K40X20 COMBI TORX KIT	
13	147 0670 500	1	Motorfilter	
14	55943978	1	ANTI STRAIN CLIP SP	
	559505163	1	FIEXD POWER CORD 10M EU BLACK SP	[1]
	559505170	1	FIEXD POWER CORD 10.5M CN ORANGE SP	[2]

Part Notes:

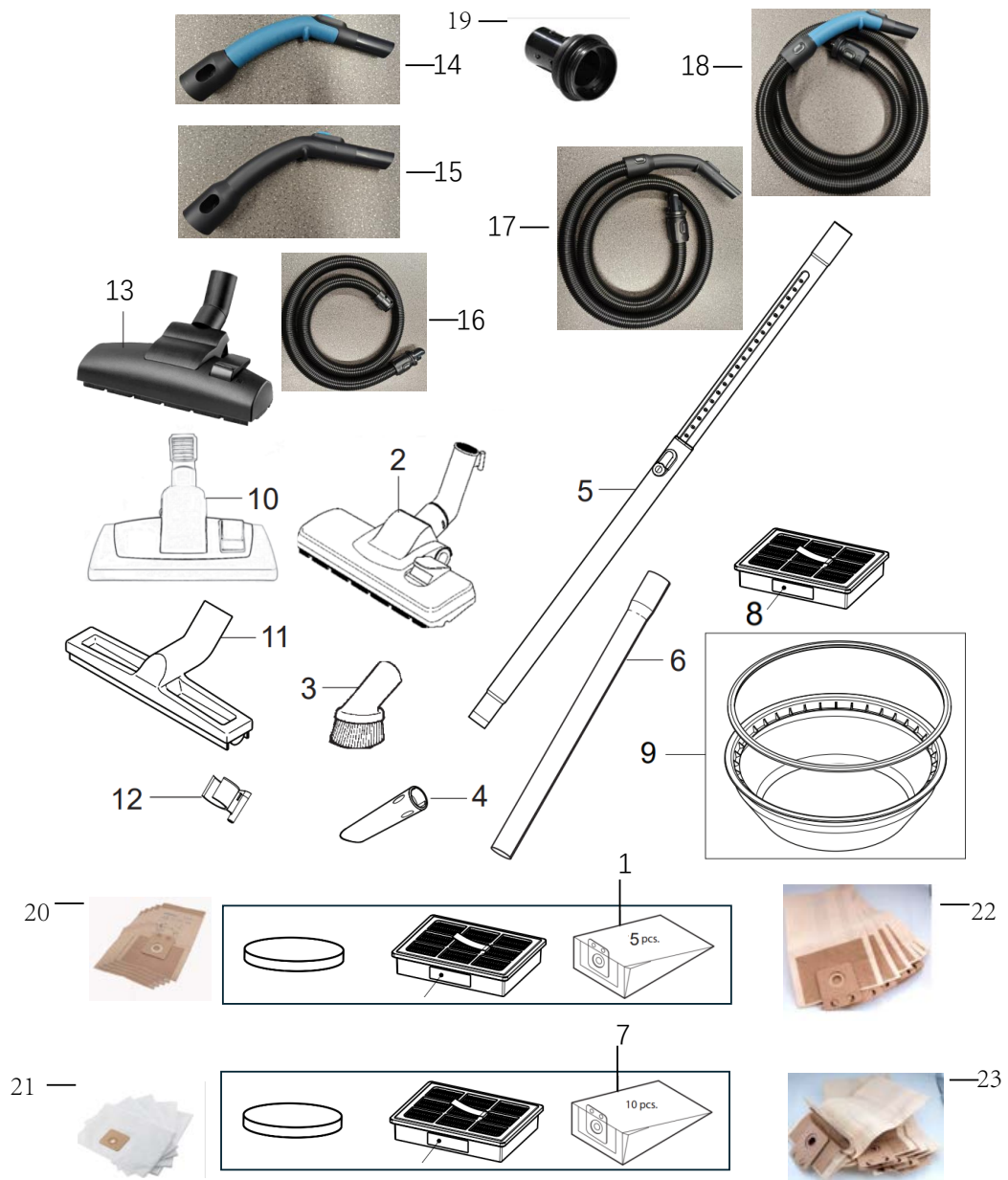
- [1] - For model: 559505163
 [2] - For model: 107421154



Pos.	Artikel-Nr.	Menge	Variante	Notes
1	147 1432 500	1	Sackfilter	
2	55943975	1	REAR WHEEL SP	
3	140 6422 500	1	Lenkrolle 2 stk.	
4	559505158	1	CONTAINER VP300 RECYCLED SP	[1]
4	55943974	1	CONTAINER VP300 SP	
5	559505159	1	CONTAINER VP300 RECYCLED KIT NEED ASSM	[1]
5	55943976	1	CONTAINER VP300 KIT NEED ASSM	
6	55943973	1	BUMPER SP	

Part Notes:

[1] - For model: 107421159 (UK) ; 107421157 (EU) ; 107421150 (JP)



ACCESORIES

VP300 Basic

2025.02.13

2025.02.17

Pos.	Artikel-Nr.	Menge	Variante	Notes
1	107421454	1	MAINTENANCE KIT VP300 LIGHT	
2	107405141	1	COMBI NOZZLE VP300JP	
3	140 8244 500	1	Pinseldüse Ø 32 mm	
4	147 0146 500	1	Konische Düse Ø 32 mm	
5	107421463	1	Telescopic Tube Alu - Black/Blue	
6	107421471	2	EXTENSION TUBE ALUMINIUM BLACK	
6	140 8246 040	2	Verlängerungsrohr Ø 32 x 450 mm, stahl	
6	140 8246 050	2	Verlängerungsrohr Ø 32 x 500 mm	
7	107421455	1	MAINTENANCE KIT VP300 PLUS	
8	107421443	1	HEPA H14 FILTER	
8	107421444	1	STANDARD FILTER	
9	147 1432 500	1	Sackfilter	
10	107417790	1	Kombibodendüse RD295P mit Clip	
11	140 6700 540	1	Hartbodendüse Ø 32 mm	
11	140 8492 520	1	Kombibodendüse RD295 m. Clip, Ø 32 mm	
12	147 0585 500	1	Verstauklemme schwarz	
13	107411677	1	Kombibodendüse Ø 32x270 mm	
14	107421445	1	BENT END PREM	
15	107421446	1	BENT END	
16	107421449	1	HOSE W CONNECTORS	
17	107421450	1	HOSE CPL W BENT END D32	
18	107421451	1	HOSE CPL W BENT END PREM D32	
19	107401199	1	Numatic Adapter, Vpe 20Stk.	
20	82367810	1	Staubbeutel, 9,5 Liter, VPE 5	
21	82367820	1	Staubbeutel Vlies 10 Liter, VPE 10	
22	140 8618 000	1	Filtersack 10 Liter, VPE 10	
23	82222900	1	Staubbeutel 9,5L 5 Stück	

