

# NEPTUNE 3

Model:

NEPTUNE 3-22  
NEPTUNE 3-23  
NEPTUNE 3-25  
NEPTUNE 3-26  
NEPTUNE 3-32  
NEPTUNE 3-33  
NEPTUNE 3-38  
NEPTUNE 3-41

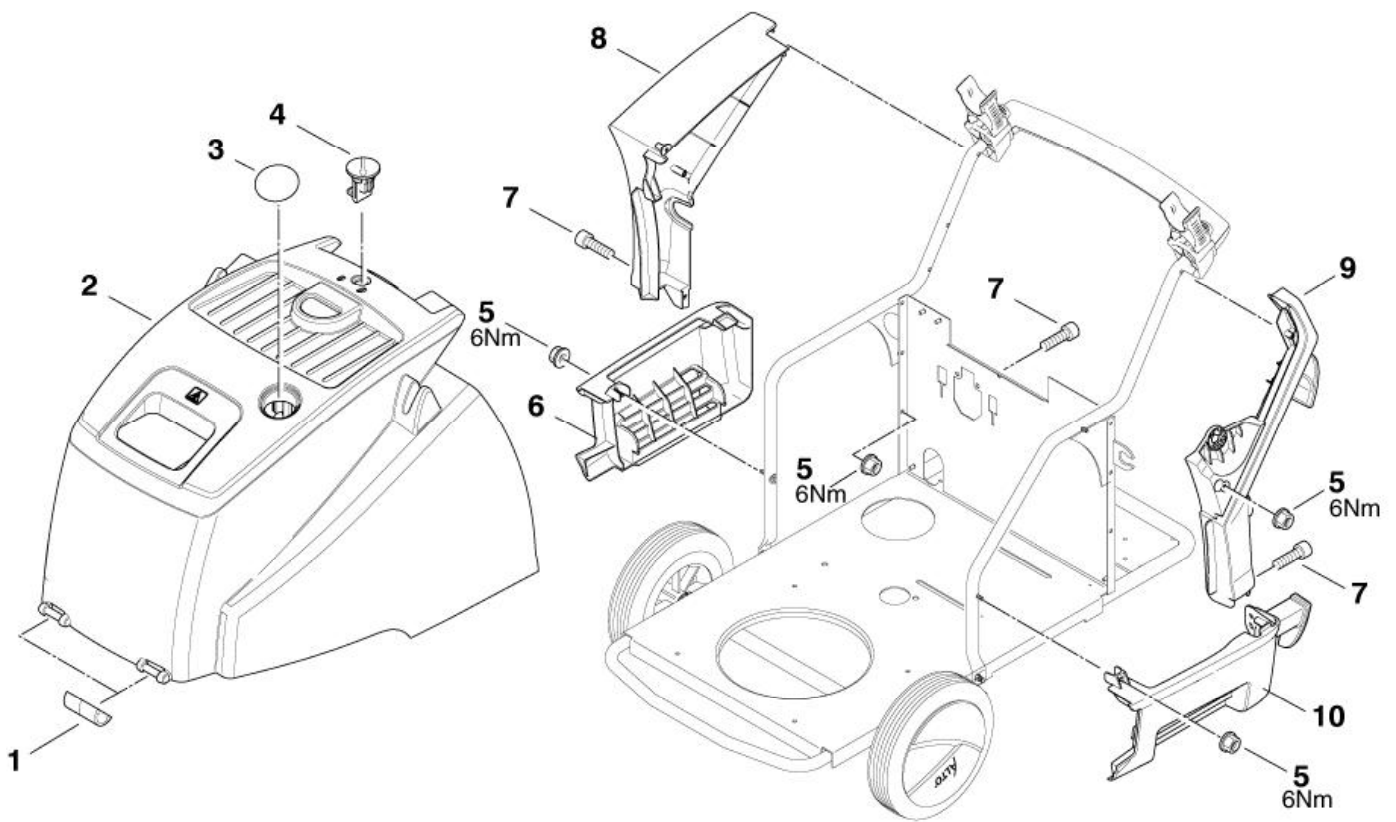


Part List US-English

02-07-2009

**Nilfisk**  
**ALTO**  
*Why Compromise*

<b>Cabinet</b>	<b>3</b>
<b>Frame</b>	<b>5</b>
<b>Fuel tank</b>	<b>7</b>
<b>Water break tank</b>	<b>9</b>
<b>Anti-scale pump</b>	<b>11</b>
<b>Motor</b>	<b>13</b>
<b>Pump</b>	<b>16</b>
<b>Pump kits</b>	<b>19</b>
<b>Control safety block (a)</b>	<b>21</b>
<b>Control safety block (b)</b>	<b>23</b>
<b>Electric box (motor)</b>	<b>25</b>
<b>Electric box (a)</b>	<b>27</b>
<b>Electric box (b)</b>	<b>29</b>
<b>Cover electric box</b>	<b>31</b>
<b>Burner unit</b>	<b>33</b>
<b>Heat exchanger</b>	<b>35</b>
<b>Distributor, ignition transformer</b>	<b>37</b>
<b>Burner head assy.</b>	<b>39</b>
<b>Basket</b>	<b>41</b>
<b>Hose reel</b>	<b>43</b>
<b>Default accessories</b>	<b>45</b>
<b>Service crane</b>	<b>47</b>
<b>Total check kits, recommended spare parts</b>	<b>49</b>



# Cabinet

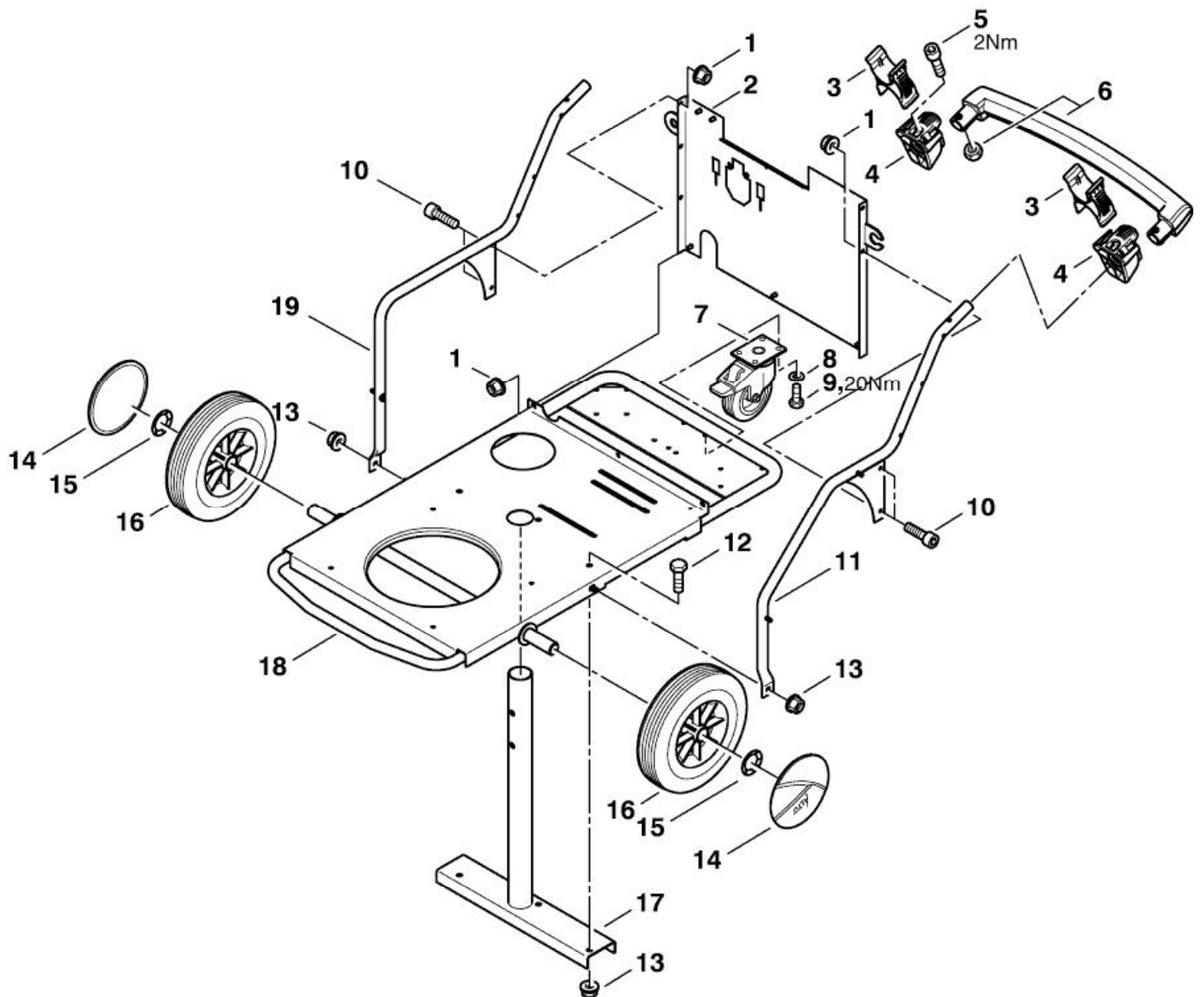
## NEPTUNE 3

02-07-2009

Part List ID  
NEPT302

4

Pos	Part no.	Qty	Description	EAN
1	301000457	2	CABINET CLIP	4005337022
1	301001518	2	CABINET CLIP 3-17 CLASSIC, 3-22 *EU*, 3-30 CLASSIC, 3-33 CLASSI	4005337047
2	301001062	1	COVER BLUE NEPTUNE 3	4005337040
2	301001063	1	COVER NEPTUNE 3 BLACK 3-22 *EU*, 3-17 CLASSIC, 3-30 CLASSIC, 3-33 CLASSI	4005337040
3	301001682	1	COVER PLATE 63X4 3-17 CLASSIC, 3-22 *EU*GB*, 3-30 CLASSIC, 3-33 CL	4005337066
4	301001261	1	LOCKING BOLT Ø29X35	4005337042
5	12496	5	HEXAGON NUT M6	4005337124
6	301001215	1	SIDE CABINET LOWER RIGH	4005337046
7	3913	3	SCREW M6X12	4005337039
8	301001188	1	SIDE CABINET UPPER RIGH	4005337040
9	301001187	1	SIDE CABINET UPPER LEFT	4005337040
10	301001214	1	SIDE CABINET LOWER LEFT	4005337046



# Frame

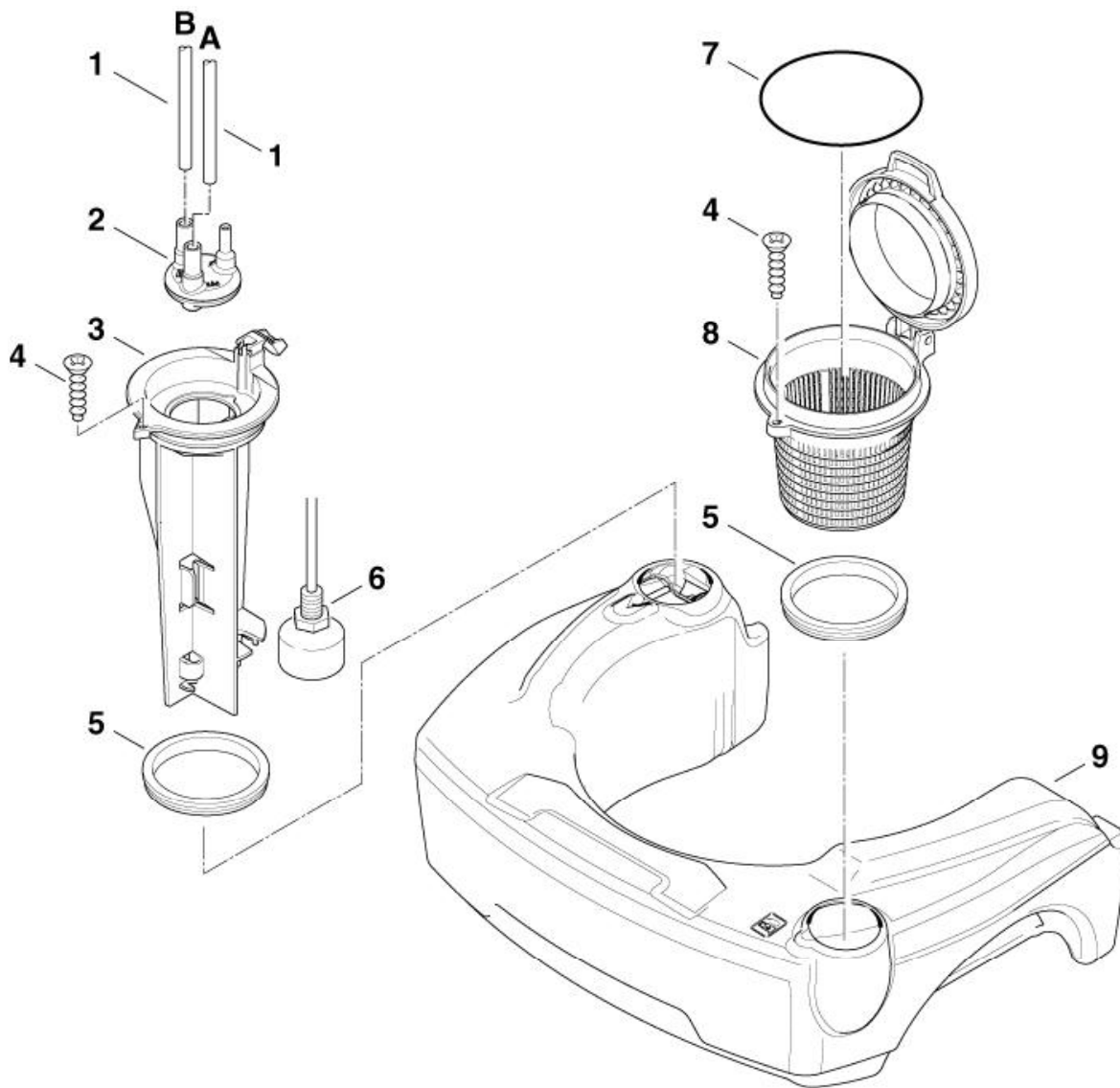
## NEPTUNE 3

02-07-2009

Part List ID  
NEPT301

6

Pos	Part no.	Qty	Description	EAN
1	12496	7	HEXAGON NUT M6	4005337124
2	301001256	1	REAR WALL - 487X394X21	4005337047
3	301001284	2	LANCE HOLDER 128X62X57 PA	4005337042
4	301001283	2	HOLDER	4005337048
5	5945	2	SCREW M6X30	4005337059
6	301000447	1	HANDLE PREASSEMBLY	4005337022
7	301001547	1	CASTOR 100	4005337058
8	2762	4	WASHER 8,4X1,6	4005337027
9	5370	4	SCREW M8X10	4005337053
10	3913	4	SCREW M6X12	4005337039
11	301001251	1	TUBE FRAME - LEFT 629X553	4005337047
12	8942	3	COUNTERSUNK SCREW M8X16 Option	4005337089
13	61467	5	HEXAGON NUT M8	4005337614
14	301001076	2	WHEEL CAP Ø180	4005337031
15	1813799	2	SPRING PLATE WASHER	5701715031
16	301000989	2	WHEEL Ø250X75	4005337027
17	301001267	1	CENTRAL TUBE Option	4005337042
18	301002481	1	BASE FRAME NEPTUNE 3+4	4005337102
19	301001252	1	TUBE FRAME - RIGHT 629X55	4005337047
19	301002488	1	TUBE FRAME RIGHT 3-25 110/1/50 *GB*	4005337103



# Fuel tank

## NEPTUNE 3

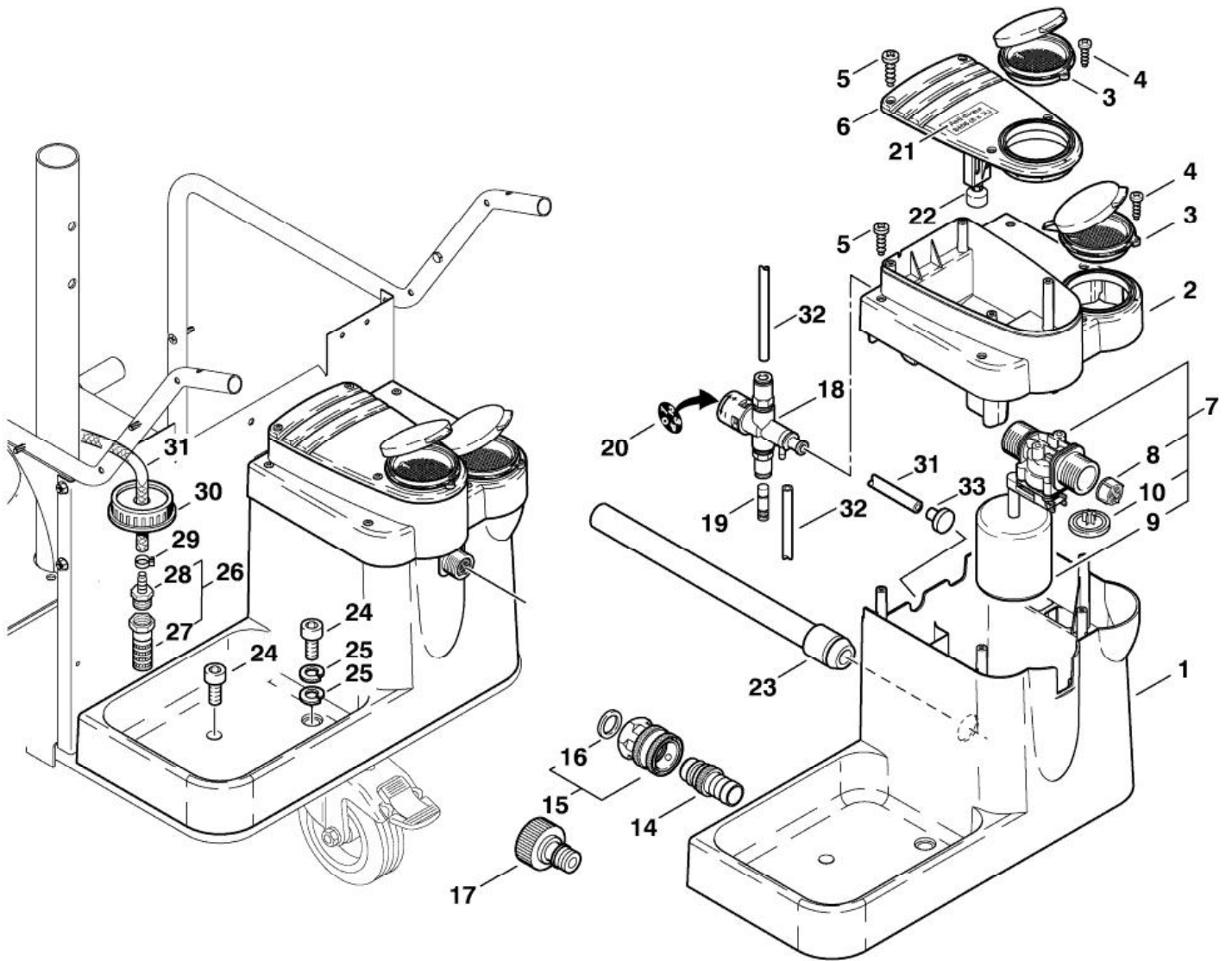
02-07-2009

Part List ID  
NEPT303

8

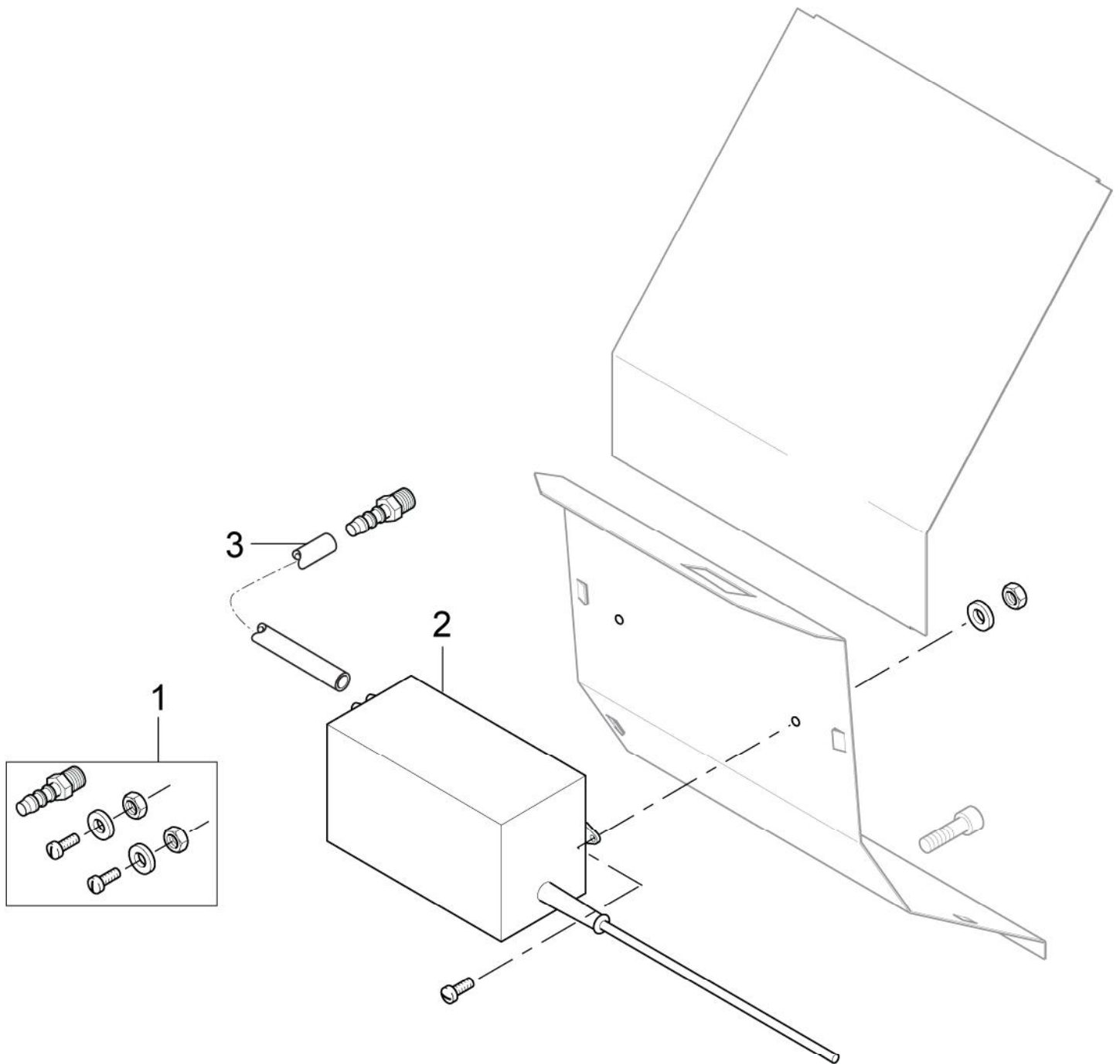
Pos	Part no.	Qty	Description	EAN
1	17710	1	TUBE Ø6 X 1 DIN 73378	4005337177
			* SEE NOTE	
2	301001276	1	PLUG Ø40X42	4005337047
3	301001262	1	LEVEL SENSOR PP	4005337042
4	18086	2	SCREW 2,9X13	4005337180
5	301000620	2	GASKET Ø79.6XØ66X10	4005337022
6	301001196	1	FLOAT SWITCH	4005337035
7	909100173	1	O-RING 56,0 X 5,0	4005337048
8	301001292	1	FILTER -CUP Ø98.8	4005337049
9	301001208	1	FUEL OIL TANK- NEPTUNE 3 PE	4005337043

\* NOTE: PLEASE INDICATE LENGTHS IN METRES WHEN ORDERING



Pos	Part no.	Qty	Description	EAN
1	301000563	1	WATER BREAK TANK	4005337024
2	301000562	1	ANTI SCALE TANK	4005337024
3	301000561	2	TANK COVER DETERGENT	4005337022
4	1805175	2	SCREW 3X12	5701715029
5	56727	8	SCREW 5X20	4005337567
6	301000560	1	COVER ANTI SCALE TANK	4005337024
7	63347	1	FLOAT VALVE	4005337633
8	34218	1	FILTER FOR FLOAT VALVE KU	4005337342
9	62877	1	SWIMMER Ø 55X60	4005337628
10	62878	1	MEMBRANE	4005337628
14	1600659	1	LP NIPPLE F. Q.-COUPLING 3/4IN	*JP* 5701715023
14	1605872	1	QUICK COUPLING NIPPLE	*US* 5701715026
15	1602945	1	QUICK COUPLING 3/4IN W/GASKET	*JP*US* 5701715024
16	3001237	1	GASKET Ø24.5XØ16X3	*JP*US* 5701715037
17	32541	1	GARDENA MALE 3/4	4005337325
18		1	ANTI SCALE VALVE	3-20, 3-23, 3-25, 3-26, 3-30, 3-33, 3-38, 3-41 4005337644
19	301001180	1	PLUG 4	=>31.03.2005  3-20, 3-23, 3-25, 3-26, 3-30, 3-33, 4005337034
20	301000915	1	LABEL Ø20	3-20, 3-23, 3-25, 3-26, 3-30, 3-33, 3-38, 3-41 4005337025
21	301000932	1	LABEL	3-20, 3-23, 3-25, 3-26, 3-30, 3-33, 3-38, 3-41 4005337025
22	301000695	1	FLOAT SWITCH LS01 W.WIRE 10VA P	3-20, 3-23, 3-25, 3-26, 3-30, 3-33, 3-38, 3-41 4005337691
23	301000713	1	SUCTION HOSE Ø 22X295	4005337021
24	8892	2	SCREW M8X16	4005337088
25	2770	2	LOCK WASHER 8	4005337027
26	17508	1	STRAINER VALVE 6	3-20, 3-23, 3-25, 3-26, 3-30, 3-33, 3-38, 3-41 5701715306
27	3205	1	STRAINER VALVE 3/8	3-20, 3-23, 3-25, 3-26, 3-30, 3-33, 3-38, 3-41 4005337032
28	5283	1	HOSE NOZZLE 6R3/8	3-20, 3-23, 3-25, 3-26, 3-30, 3-33, 3-38, 3-41 4005337052
29	11654	1	HOSE CLAMP DIA 11,5	3-20, 3-23, 3-25, 3-26, 3-30, 3-33, 3-38, 3-41 4005337116
30	301001004	1	CLOSING CAP W.HOLE Ø65X22	Empty container 10L part 80518 4005337028
31	101406100	1	DN 6X3 - 5 METER	3-20, 3-23, 3-25, 3-26, 3-30, 3-33, 3-38, 3-41 * S 4005337163
32	909100141	1	PIPE Ø 4X1	* SEE NOTE 4005337023
33	6400240	1	FILTER	from 01. Mar. 2006 - up to 30. Sep. 2006 5701715097

\* NOTE: PLEASE INDICATE LENGTHS IN METRES WHEN ORDERING



# Anti-scale pump

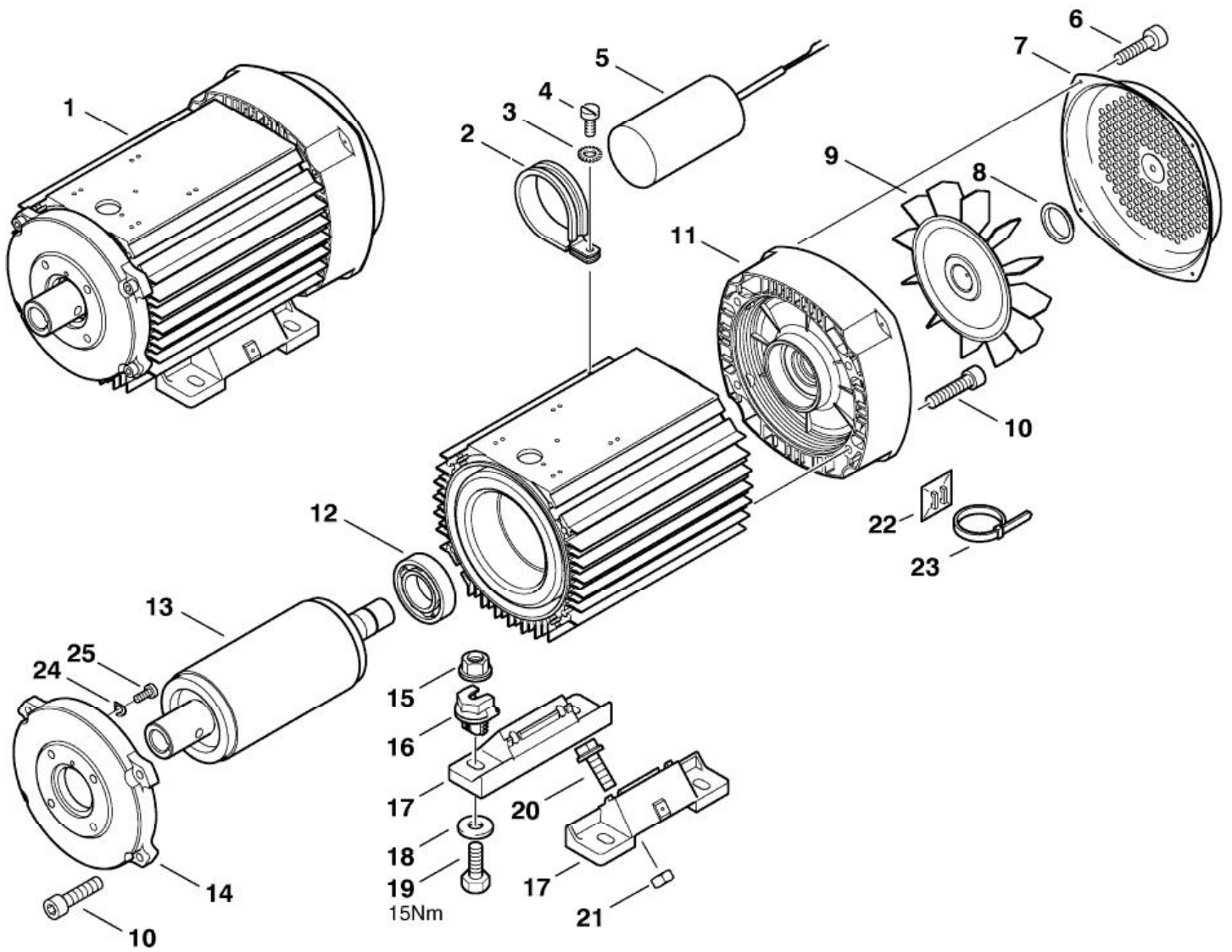
NEPTUNE 3

02-07-2009

Part List ID  
NEPT3404

12

Pos	Part no.	Qty	Description	EAN
1	101117831	1	SCREW FITTING F MOUNTING ANTISCALE PUMP	4005337163
2	101117826	1	ANTISCALE PUMP ST-15 35 ML WITH PLUG 24V	4005337169
3	101117833	1	HOSE D3/D5 TRANSPARENT 0.6MM KIT	4005337163



Pos	Part no.	Qty	Description		EAN
1	301001239	1	MOTOR 3.2KW 230/400	3-33, 3-33 CLASSIC	4005337038
1	301001240	1	MOTOR 4.0KW 230/400	3-41	4005337038
1	301001536	1	MOTOR 1.7KW/230/1	3-22	4005337050
1	301001537	1	MOTOR 2.2KW 230V	3-23, 3-26, 3-30, 3-30 CLASSIC	4005337050
1	301001668	1	MOTOR 2.0KW 110V/1 PHASE WITH PLUG	3-25 110V	4005337058
1	301001977	1	MOTOR 4KW/200/3	3-38	4005337069
1	301001978	1	MOTOR 1.4KW/120/1	3-20	4005337069
1	301002395	1	MOTOR 1,0KW 120V	3-17 CLASSIC	4005337086
2	301001093	1	FASTENING CLIP D50,8X16,	3-20, 3-23, 3-25, 3-26, 3-30, 3-30 CLASSIC	4005337031
3	3376	1	SERRATED LOCK WASHER Ø 5,	3-20, 3-23, 3-25, 3-26, 3-30, 3-30 CLASSIC	4005337033
4	3348	1	SCREW M5X10	3-20, 3-23, 3-25, 3-26, 3-30, 3-30 CLASSIC	4005337033
5	301001017	1	CAPACITOR	3-23, 3-25, 3-26, 3-30, 3-30 CLASSIC	4005337028
5	301001595	1	CAPACITOR	3-20, 3-25 110V	4005337055
5	301002660	1	CAPACITOR 80 F/400V	3-17 CLASSIC	4005337116
6	8822	4	SHEET METAL SCREW 3,5X9,		4005337088
7	301001116	1	FAN HOUSING	3-20, 3-23, 3-25, 3-26, 3-30, 3-30 CLASSIC, 3-33,	4005337032
7	301001726	1	FAN HOUSING MOTOR B0305 M	3-17 CLASSIC, 3-22	4005337059
8	301001112	1	FASTENING RING		4005337032
9	301001118	1	IMPELLER	3-20, 3-23, 3-25, 3-26, 3-30, 3-30 CLASSIC, 3-33,	4005337032
9	301001727	1	IMPELLER B0303 MOTOR MEC	3-17 CLASSIC, 3-22	4005337059
10	15045	8	SCREW M6X35		4005337150
11	301001114	1	REAR BEARING COVER	3-20, 3-23, 3-25, 3-26, 3-30, 3-30 CLASSIC, 3-33,	4005337032
11	301001722	1	REAR BEARING COVER B0302	3-17 CLASSIC, 3-22	4005337059
12	6367	1	ROLLER BEARING 6206-2Z	3-20, 3-23, 3-25, 3-26, 3-30, 3-30 CLASSIC, 3-33,	4005337063
12	9934	1	ROLLER BEARING 6205-2Z	3-17 CLASSIC, 3-22	4005337099
13	301001121	1	ROTOR MOTOR 2.2KW	3-23, 3-25, 3-26, 3-30, 3-30 CLASSIC	4005337032
13	301001662	1	ROTOR MOTOR 1,4KW	3-20	4005337058
13	301001666	1	ROTOR MOTOR 2.0KW	3-25 110V	4005337058
13	301001719	1	ROTOR 1,7KW MOTOR 1PH MEC	3-22	4005337059
13	301001720	1	ROTOR 3,2KW MOTOR 3PH MEC	3-33, 3-33 CLASSIC	4005337059
13	301001721	1	ROTOR MOTOR 4KW	3-38, 3-41	4005337059
13	301002508	1	ROTOR MOTOR 1.0KW	3-17 CLASSIC	4005337104
14	301001120	1	MOTOR FLANGE	3-20, 3-23, 3-25, 3-26, 3-30, 3-30 CLASSIC, 3-33,	4005337032
14	301001723	1	MOTOR FLANGE B0307 MEC 90	3-17 CLASSIC, 3-22	4005337059
15	61467	4	HEXAGON NUT M8		4005337614
16	301001269	4	HOLDER NUT M8		4005337052
17	301001127	2	MOTOR FOOT H51MM	3-25 110V	4005337033
17	301001724	2	MOTOR FOOT 39MM HIGH MEC1	3-20, 3-23, 3-25, 3-26, 3-30, 3-30 CLASSIC, 3-33,	4005337059
17	301001725	2	MOTOR FOOT 44MM MEC100	3-17 CLASSIC, 3-22	4005337059
18	2793	4	WASHER 8,4X2		4005337027
19	2751	4	SCREW M8X35		4005337027
20	27372	4	SCREW M8X20		4005337273

# Motor

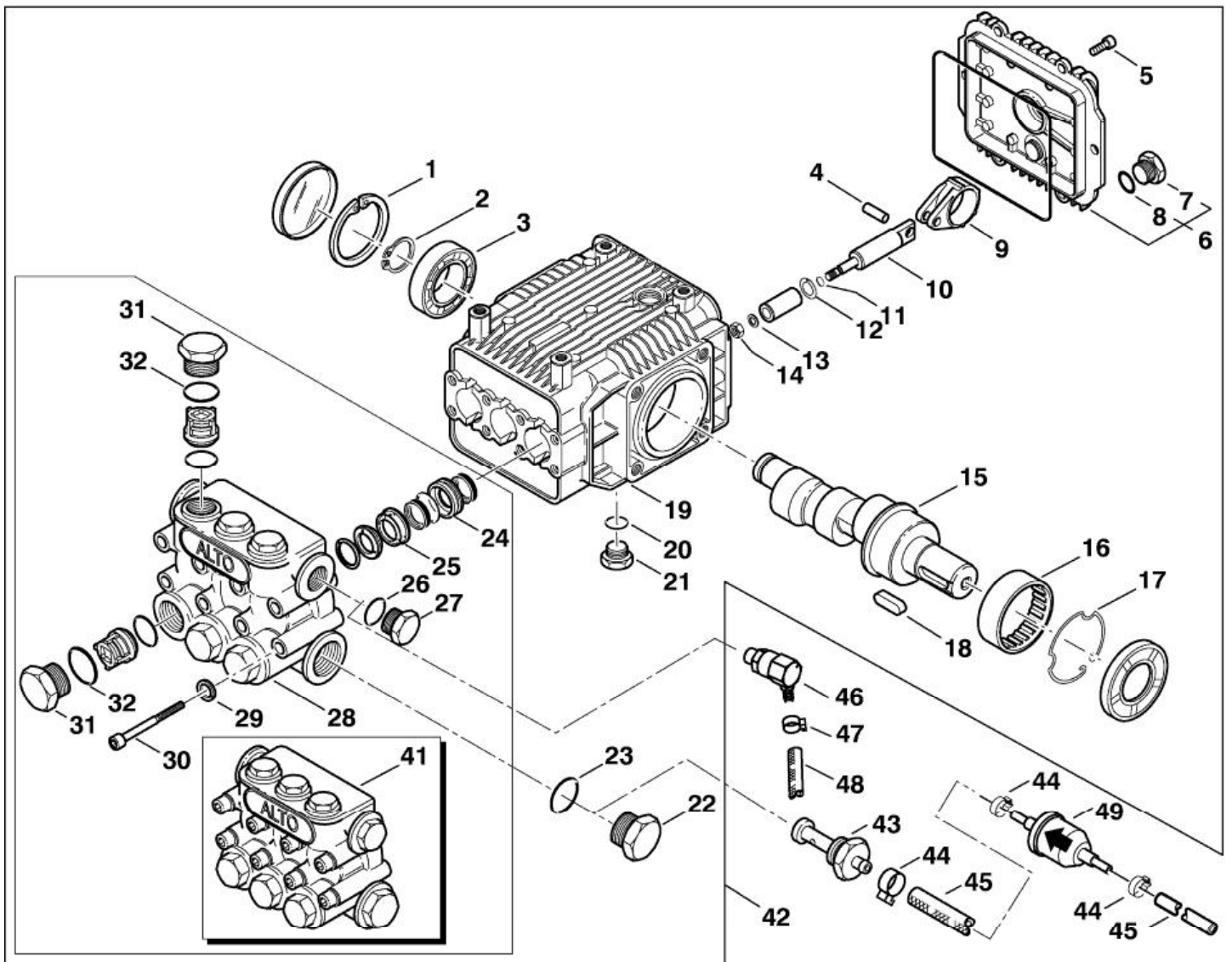
## NEPTUNE 3

02-07-2009

Part List ID  
NEPT310

15

Pos	Part no.	Qty	Description	EAN
21	6052	4	HEXAGON NUT M8	4005337060
22	2423	1	ADHESIVE CLIP	4005337024
			from 01. Oct. 2006	
23	15884	1	CABLE STRAP 4,7X1,3X350	4005337158
			from 01. Oct. 2006	
24	1801182	4	SPRING WASHER M8	5701715027
25	1803949	4	SCREW M8 X 20	5701715028



# Pump

## NEPTUNE 3

02-07-2009

Part List ID  
NEPT308

17

Pos	Part no.	Qty	Description	EAN
1	16396	1	RETAINING RING 52X2	4005337163
2	32524	1	RETAINING RING 20X1,2	4005337325
3	909100175	1	BALL BEARING	4005337049
4	301001555	3	BOLT NP3-PUMP	4005337052
5	4697	6	SCREW M6X16	4005337046
6	301001158	1	COVER	4005337034
7	301001135	1	PLUG G3/8	4005337033
8	56554	1	O-RING Ø 14X1,78	4005337565
9	301001561	3	CONNECTING ROD	4005337053
9	301001562	3	CONNECTING ROD 3-17 CLASSIC, 3-20	4005337052
10	301001560	3	PISTON ROD NP3-PUMP	4005337052
11	3004236	3	O-RING	5701715365
12	301001486	3	DISTANCE SPACER	4005337048
13	909100178	3	PACKING RING Ø 8X13X0,5	4005337049
14	909100177	3	HEXAGON NUT M8/SW13X5	4005337049
15	301001576	1	CRANKSHAFT FOR M4 13.20 3-17 CLASSIC, 3-20, 3-25,3-38 60Hz	4005337053
15	301001577	1	CRANKSHAFT NO.4 3-22, 3-23, 3-26, 3-30, 3-30 CLASSIC,	4005337053
15	301001578	1	CRANKSHAFT NO.1 3-33, 3-33 CLASSIC	4005337053
15	301001685	1	CRANKSHAFT NO.15 3-38 50Hz, 3-41	4005337066
15	301002413	1	CRANKSHAFT NO.5 3-26 60Hz	4005337104
16	909100174	1	ROLLER BEARING Ø 45/ Ø 52X1	4005337048
17	301001539	1	RETAINING RING Ø 62/ Ø 54XØ	4005337051
18	19639	1	PARALLEL KEY A 8X7X25	4005337196
19	301001557	1	HOUSING NP3-PUMP	4005337052
20	56554	1	O-RING Ø 14X1,78	4005337565
21	301001135	1	PLUG G3/8	4005337033
22	301001136	1	PLUG G1/2/SW24X17 3-17 CLASSIC, 3-22, 3-30 CLASSIC, 3-33 CLASSIC	4005337033
23	5127	1	PACKING RING D21X26	4005337051
24	301001592	3	THRUST COLLAR Ø15 NP3- LP 3-17 CLASSIC, 3-20, 3-22, 3-23, 3-26, 3-30, 3-30 C	4005337054
24	301001593	3	THRUST COLLAR Ø18 NP3- LP 3-25, 3-38, 3-41	4005337054
25	301001558	3	THRUST COLLAR Ø15 NP3- HP 3-17 CLASSIC, 3-20, 3-22, 3-23, 3-26, 3-30, 3-30 C	4005337052
25	301001559	3	THRUST COLLAR Ø 18 NP3- HP 3-25, 3-38, 3-41	4005337052
26	56554	1	O-RING Ø 14X1,78	4005337565
27	301001135	1	PLUG G3/8	4005337033
28	301001589	1	VALVE BLOCK 3-17 CLASSIC, 3-20	4005337052
28	301001590	1	CYLINDER HEAD 15 MM PISTO 3-22, 3-23, 3-26, 3-30, 3-30 CLASSIC, 3-33, 3-33 C	4005337052
28	301001591	1	VALVE BLOCK 18MM PISTON 3-25, 3-38, 3-41	4005337052
29	909100188	8	LOCK WASHER Ø 6	4005337052
30	909100184	8	HEXAGON SOCKET HEAD CAP S	4005337049
31	301001496	6	PLUG M22 SW21X22,5	4005337048
32	103004342	6	JOINT TORQUE 17,86X2,62	5701715296
41	301001586	1	CYLINDER HEAD COMPLETE FO 3-17 CLASSIC, 3-20	4005337052

# Pump

## NEPTUNE 3

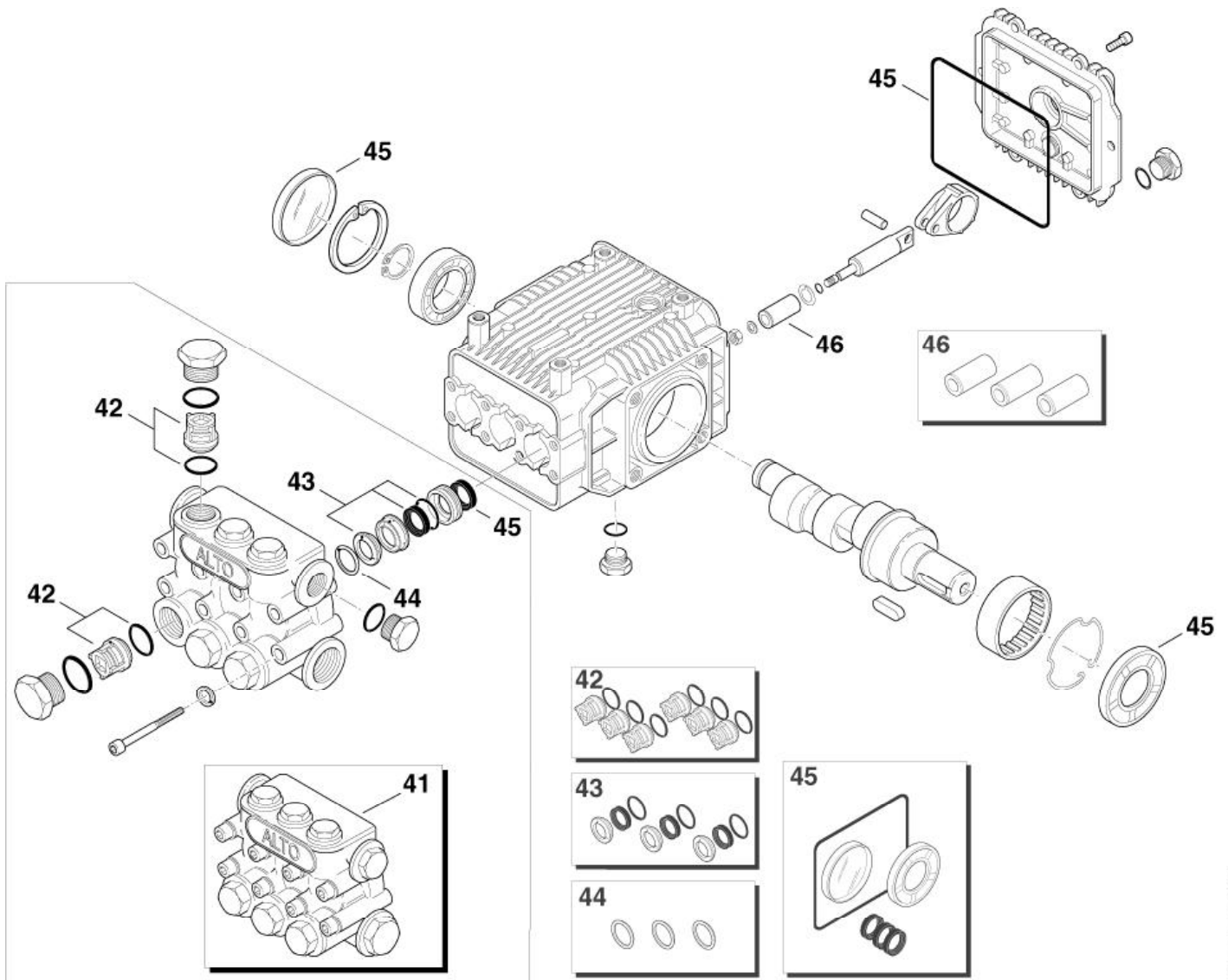
02-07-2009

Part List ID

NEPT308

18

Pos	Part no.	Qty	Description		EAN
41	301001587	1	VALVE BLOCK COMPL. Ø 15MM	3-22, 3-23, 3-26, 3-30, 3-30 CLASSIC, 3-33, 3-33 C	4005337052
41	301001588	1	VALVE BLOCK COMPL. Ø18MM	3-25, 3-39, 3-41	4005337052
42	301001298	1	PUMP NP3 09.15 N 9 L/MIN 150BAR ALTO	3-22, 3-23, 3-26 50Hz, 3-30, 3-30 CLASSIC	4005337042
42	301001299	1	PUMP NP3 11.17 N 11 L/MIN 170BAR ALTO	3-33, 3-33 CLASSIC	4005337042
42	301001306	1	PUMP NP3 12.17 N 12 L/MIN 170BAR ALTO	3-38 50Hz, 3-41	4005337042
42	301001458	1	PUMP M4 13.20	3-17 CLASSIC, 3-20	4005337045
42	301001902	1	PUMP NP3 10.17 N 10L/MIN 170BAR ALTO	3-25, 3-38 60Hz	4005337072
42	301002095	1	PUMP NP3 08.15 N 8 L/MIN 150BAR ALTO	3-26 60Hz	4005337077
43	301002403	1	HOLLOW SCREW G1/2 Ø14.8 POM INSTAL.	3-17 CLASSIC Option, 3-20, 3-22 Option, 3-23, 3-25	4005337088
43	301002404	1	HOLLOW SCREW G1/2 Ø15.4 POM INSTAL.	3-33, 3-38, 3-41	4005337088
44	11654	1	HOSE CLAMP DIA 11,5	3-17 CLASSIC Option, 3-20, 3-22 Option, 3-23, 3-25	4005337116
45	101406100	1	DN 6X3 - 5 METER	3-17 CLASSIC Option, 3-20, 3-22 Option, 3-23, 3-25	4005337163
46	301003109	1	EASY START VALVE MODIFIED		4005337130
47	7239	1	HOSE CLIP D14,5		4005337072
48	9175	1	HOSE		4005337091
49	301002926	1	INLINE FILTER 101X36.5X6 KU		4005337122



# Pump kits

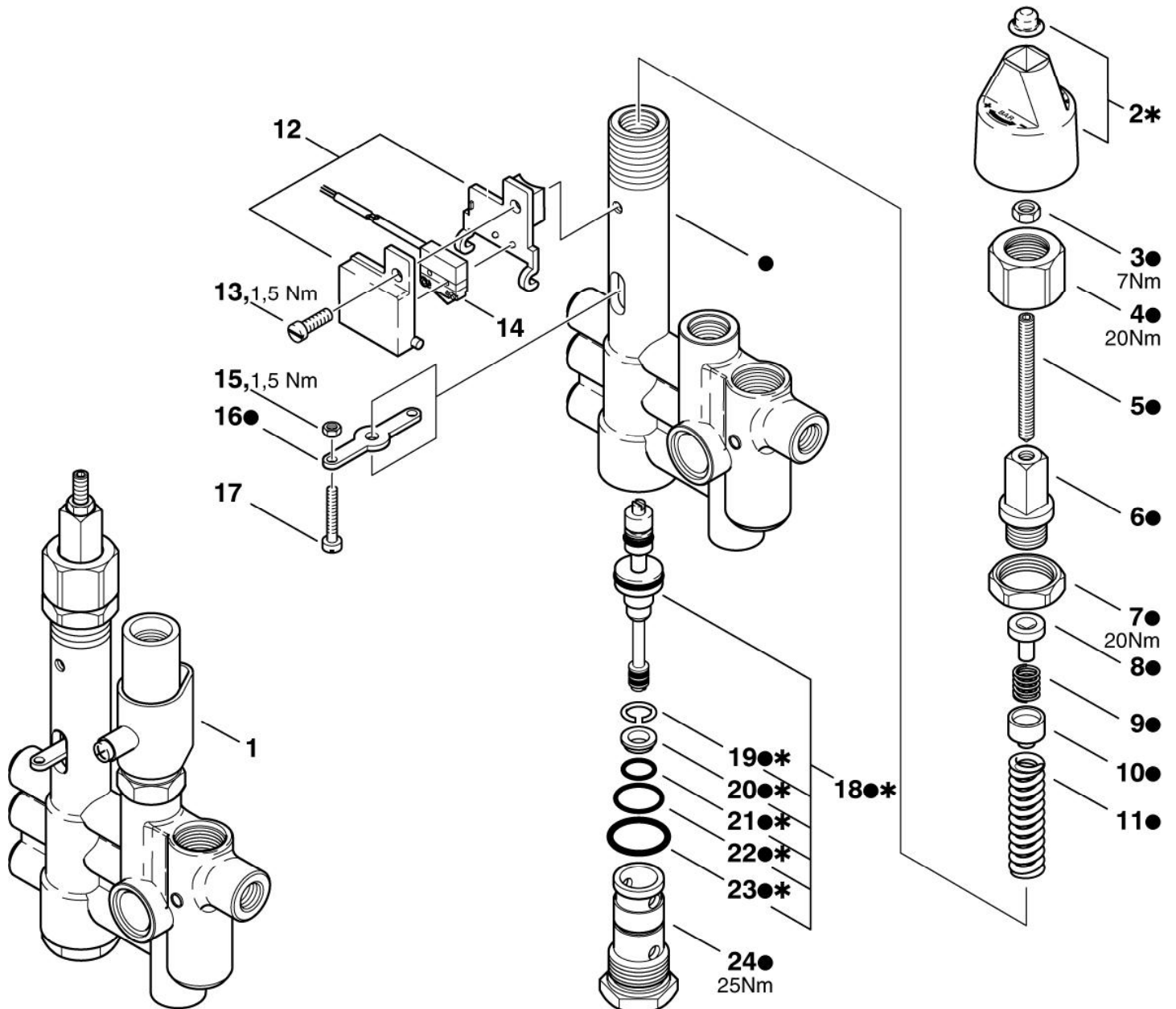
## NEPTUNE 3

02-07-2009

Part List ID  
NEPT309

20

Pos	Part no.	Qty	Description		EAN
41	301001586	1	CYLINDER HEAD COMPLETE FO	3-17 CLASSIC, 3-20	4005337052
41	301001587	1	VALVE BLOCK COMPL. Ø 15MM	3-22, 3-23, 3-26, 3-30, 3-30 CLASSIC, 3-33, 3-33 C	4005337052
41	301001588	1	VALVE BLOCK COMPL. Ø18MM	3-25, 3-38, 3-41	4005337052
42	301001494	1	VALVE KIT 6 PCS WITH O-RINGS		4005337048
43	301001489	1	KIT PISTON SEALING Ø 15	3-17 CLASSIC, 3-20, 3-22, 3-23, 3-26, 3-30, 3-30 C	4005337048
43	301001490	1	KIT PISTON SEALING Ø 18	3-25, 3-38, 3-41	4005337048
44	301001492	1	KIT SUPPORT RING Ø15 3	3-17 CLASSIC, 3-20, 3-22, 3-23, 3-26, 3-30, 3-30 C	4005337048
44	301001493	1	KIT SUPPORT RING Ø18 3	3-25, 3-38, 3-41	4005337048
45	301001491	1	KIT OIL SEALING		4005337048
46	301001487	1	KIT PISTON Ø 15	3-17 CLASSIC, 3-20, 3-22, 3-23, 3-26, 3-30, 3-30 C	4005337048
46	301001488	1	KIT PISTON Ø 18	3-25, 3-38, 3-41	4005337048



# Control safety block (a)

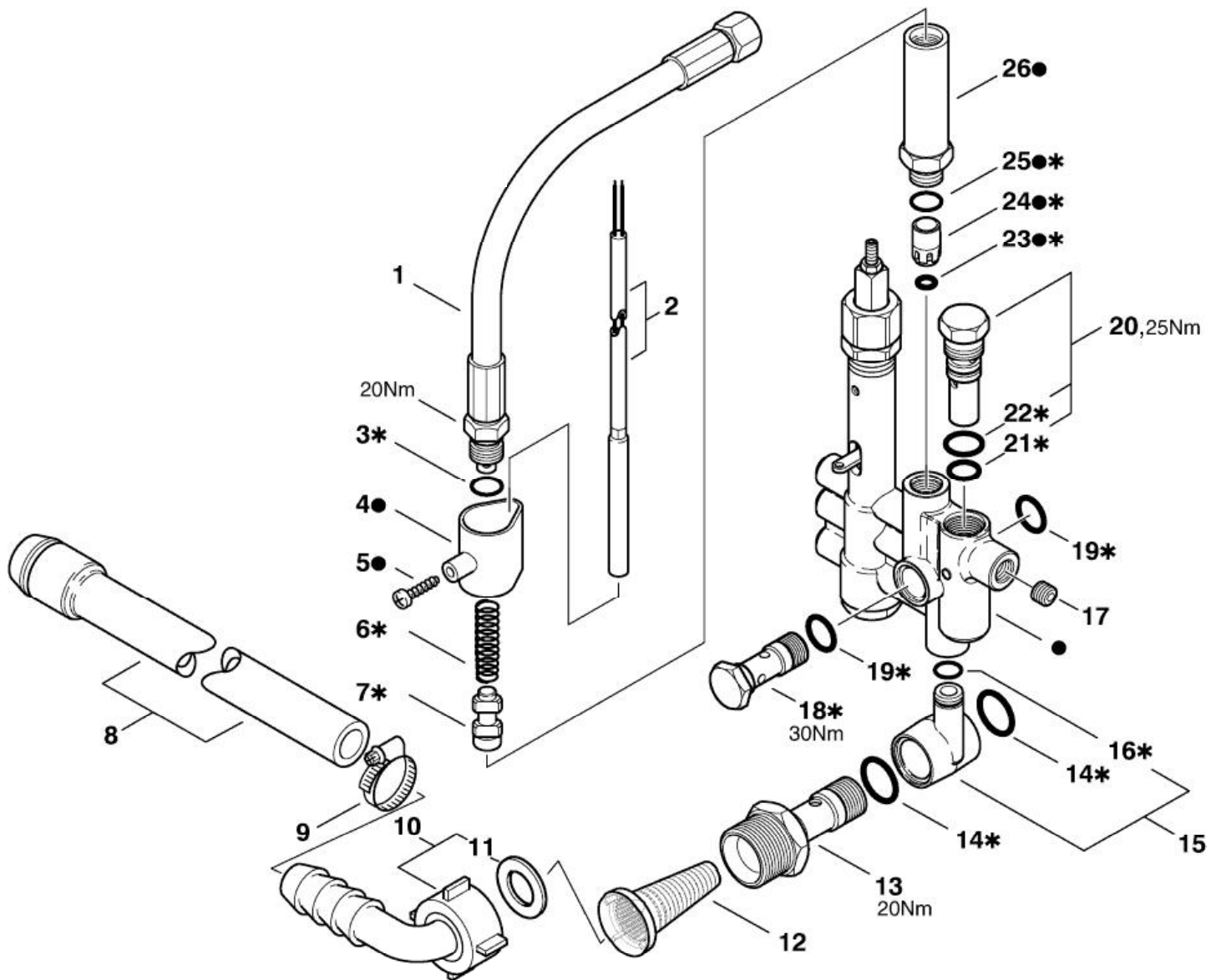
NEPTUNE 3

02-07-2009

Part List ID  
NEPT306

22

Pos	Part no.	Qty	Description		EAN
1	301001810	1	UNLOADER VALVE NEPTUNE 3 -7	includes o	4005337066
2	62397	1	ROTARY KNOB	*	4005337623
3	3136	1	HEXAGON NUT M6	o	4005337031
4	62710	1	UNION NUT M24X1,5X21	o	4005337627
5	62711	1	SET SCREW M6X60	o	4005337627
6	62712	1	HOLLOW SCREW M16X1X9	o	4005337627
7	62696	1	HEXAGON NUT M24X1,5X6	o	4005337626
8	62695	1	SPRING SUPPORT	o	4005337626
9	62713	1	SPRING	o	4005337627
10	62694	1	SPRING SUPPORT	o	4005337626
11	40972	1	SPRING 3,5X10,5X54	o	4005337409
12	62401	1	HOUSING FOR MICRO SWITCH		4005337624
13	3349	1	640EW M5X16		4005337033
14	301000731	1	MICRO SWITCH 250V		4005337691
15	2759	1	HEXAGON NUT M4		4005337027
16	62717	1	CONTACT STUD	o	4005337627
17	5076	1	SCREW M4X25		4005337050
18	64314	1	REPAIR KIT	o*	4005337643
19	909100001	1	RING Ø14	o*	4005337003
20	62708	1	VALVE SEAT Ø8,5/Ø11,4/Ø1	o*	4005337627
21	49461	1	O-RING Ø 11X1,5	o*	4005337494
22	9523	1	O-RING D17X1,5	o*	4005337095
23	32091	1	O-RING Ø 21X2	o*	4005337320
24	64301	1	HOLLOW SCREW M24X1.5	o	4005337643
25	301001850	1	REPAIR KIT DISCHARGER VALVE	consisting of: *	4005337066



# Control safety block (b)

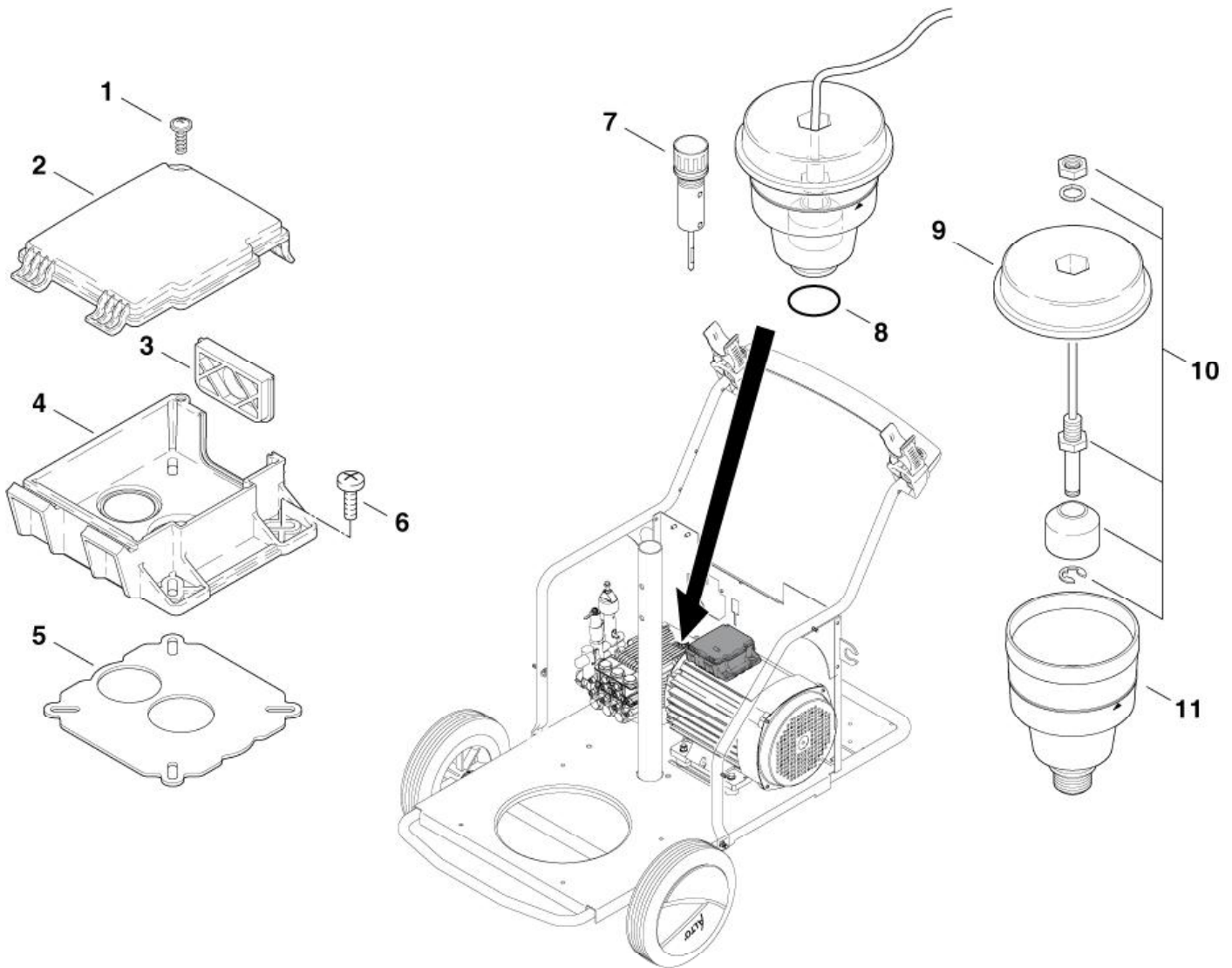
NEPTUNE 3

02-07-2009

Part List ID  
NEPT307

24

Pos	Part no.	Qty	Description		EAN
-	301001810	1	UNLOADER VALVE NEPTUNE 3 -7	includes o	4005337066
-	301001850	1	REPAIR KIT DISCHARGER VALVE	consisting of: *	4005337066
1	301000854	1	HP-HOSE 8X610		4005337022
2	301002458	1	REED CONTACT 8X75		4005337087
3	62706	1	O-RING Ø 13X2	*	4005337627
4	62399	1	HOLDER	o	4005337623
5	10028	1	SCREW 5X14	o	4005337100
6	6231	1	SPRING 0,5X11X44	*	4005337062
7	62724	1	CONTACT PISTON	*	4005337627
8	301000713	1	SUCTION HOSE Ø 22X295		4005337021
9	8298	1	HOSE CLIP 16-27		4005337082
10	5613	1	HOSE NOZZLE		4005337056
11	15587	1	PACKING RING 14X24X2		4005337155
12	62600	1	FILTER	up to 31. Oct. 2006	4005337626
13	301001297	1	HOLLOW SCREW G1/2-G3/4X72 SW30 PA		4005337045
14	24347	2	O-RING		4005337243
15	301001296	1	RETURN LINE Ø30X34X43		4005337045
16	13739	1	O-RING Ø 10X2	*	4005337137
17	30993	1	PLUG G1/4		4005337309
18	62697	1	HOLLOW SCREW G3/8	*	4005337626
19	16443	2	O-RING Ø 17X2	*	4005337164
20	301000911	1	SAFETY VALVE 250 BAR	3-38, 3-41	4005337023
20	62729	1	SAFETY VALVE 250BAR	3-33, 3-33 CLASSIC	4005337627
20	62730	1	SAFETY VALVE 200BAR	3-17 CLASSIC, 3-20, 3-22, 3-23, 3-25, 3-26, 3-30,	4005337627
21	62706	1	O-RING Ø 13X2	*	4005337627
22	16443	1	O-RING Ø 17X2	*	4005337164
23	56519	1	O-RING Ø 6,5X3	o*	4005337565
24	301000905	1	PISTON Ø14,6X25,5	o*	4005337023
25	16998	1	O-RING	o*	4005337169
26	62722	1	FITTING	o	4005337627
27	301002394	1	FILTER	from 01. nov. 2006	4005337086



# Electric box (motor)

NEPTUNE 3

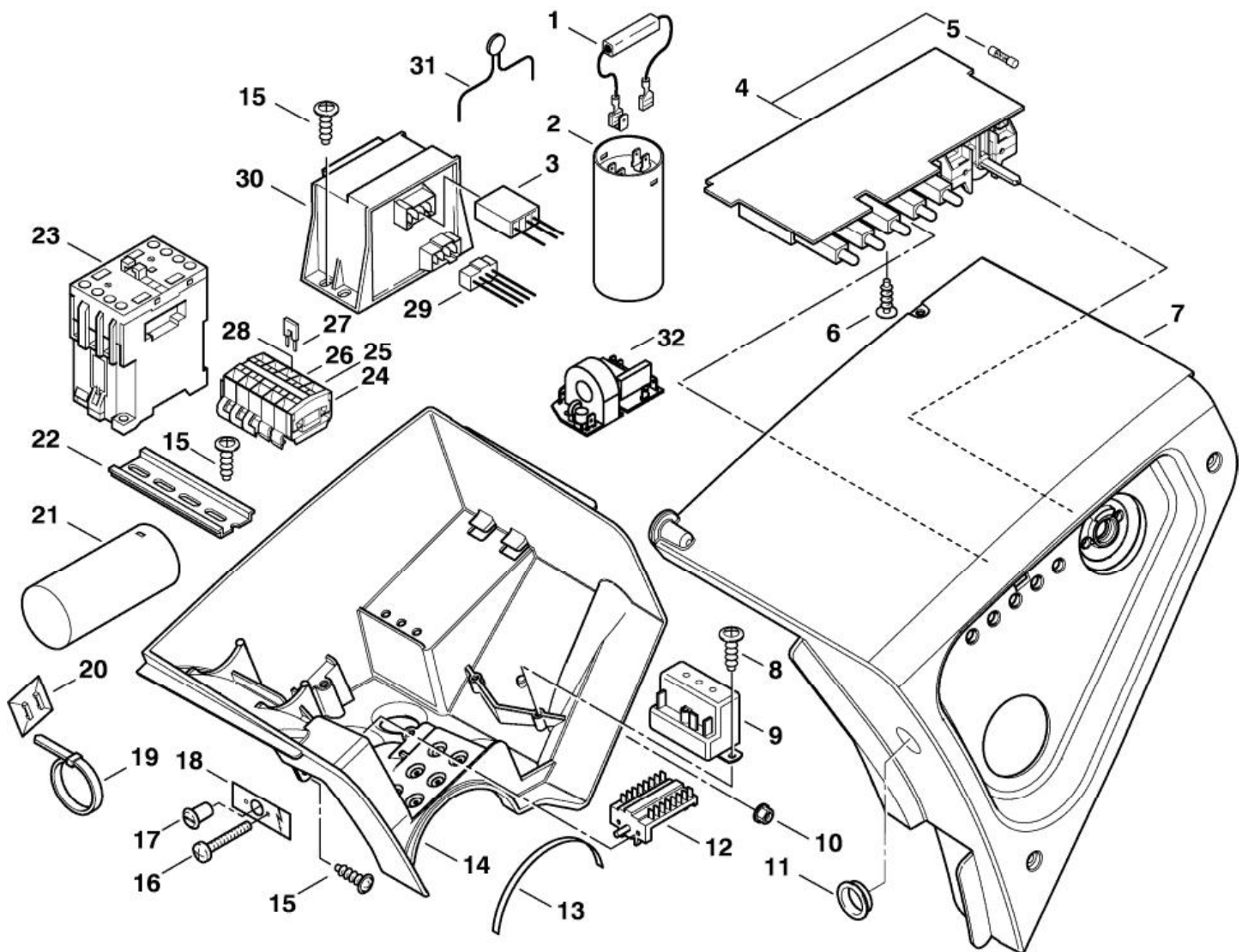
02-07-2009

Part List ID  
NEPT305

26

Pos	Part no.	Qty	Description	EAN
-		1	NOTE COMMENT Pump oil SAE 15W 40 *	5701715456
1	10028	1	SCREW 5X14	4005337100
2	301000782	1	COVER ELEC.BOX 128,2X112,	4005337022
3	17106	1	INSET	4005337171
4	301000781	1	ELECTRIC BOX	4005337022
5	301000845	1	SEAL	4005337022
6	32535	4	SCREW M5X16	4005337325
7	301001460	1	OIL LEVEL STICK G3/8 3-22, 3-17 CLASSIC, 3-30 CLASSIC, 3-33 CLASSIC	4005337045
8	19690	1	O-RING Ø 19X1,8 3-20, 3-23, 3-25, 3-26, 3-30, 3-33, 3-38, 3-41	4005337196
9	301000615	1	COVER/SWITCH 70X15,5 3-20, 3-23, 3-25, 3-26, 3-30, 3-33, 3-38, 3-41	4005337022
10	301001196	1	FLOAT SWITCH 3-20, 3-23, 3-25, 3-26, 3-30, 3-33, 3-38, 3-41	4005337035
11	301000614	1	PUMP OIL CONTAINER Ø66,8X 3-20, 3-23, 3-25, 3-26, 3-30, 3-33, 3-38, 3-41	4005337022

\* Pump oil SAE 15W 40, 3-22: 0,45 l, 3-23, 3-26, 3-33, 3-41: 1,0 l



# Electric box (a)

NEPTUNE 3

02-07-2009

Part List ID  
NEPT311

28

Pos	Part no.	Qty	Description		EAN
1	301000402	1	RESISTANCE 15KOHM7W	3-17, 3-20, 3-23, 3-25, 3-26, 3-30, 3-30 CLASSIC	4005337680
2	301001056	1	STARTING CAPACITOR	3-17, 3-20, 3-23, 3-25, 3-26, 3-30, 3-30 CLASSIC	4005337030
3	301001236	1	CABLE TRANSFO 2-POL, PRIM	3-17 CLASSIC, 3-20, 3-22, 3-23, 3-25, 3-26, 3-30,	4005337038
3	301001237	1	WIRE 2-POL./400V	400/3/50 3-33, 3-33 CLASSIC, 3-41 *EU*, 3-38 *JP*	4005337038
3	301001238	1	WIRE 3-POL.	230/400/3/50 3-33, 3-41 *BE*NO*	4005337038
4	301001230	1	MAIN CIRCUIT BOARD	3-17 CLASSIC, 3-22, 3-30 CLASSIC, 3-33 CLASSIC	4005337038
4	301001231	1	MAIN CIRCUIT BOARD	3-20, 3-23, 3-25, 3-26, 3-30, 3-33, 3-38, 3-41	4005337038
5	103821729	1	FUSE Ø5X20 2A T 250V		5701715318
5	3812385	1	FUSE Ø5X20 6.3A		5701715043
6	16860	1	SCREW 4X12		4005337168
7	301001212	1	COVER EL.BOX		4005337046
8	16860	2	SCREW 4X12	3-17, 3-20, 3-23, 3-25, 3-26, 3-30, 3-30 CLASSIC	4005337168
9	11060	1	STARTER RELAY 220V AC	3-17, 3-20, 3-23, 3-25, 3-26, 3-30, 3-30 CLASSIC	4005337110
10	12496	1	HEXAGON NUT M6		4005337124
11	63800	1	PLUG 24.3X26.4	230/400/3/50 3-33, 3-41 *BE*NO*	4005337638
12	301000293	1	SWITCH START/TRIANGLE 16	230/400/3/50 3-33, 3-41 *BE*NO*	4005337672
13	301001811	1	GASKET 500X7X2		4005337066
14	301001210	1	ELECTRICAL CONTROL BOX N		4005337043
15	10028	5	SCREW 5X14		4005337100
16	40045	2	PAN HEAD SCREW M4X30	230/400/3/50 3-33, 3-41 *BE*NO*	4005337400
17	64580	1	ROTARY KNOB	230/400/3/50 3-33, 3-41 *BE*NO*	4005337645
18	64586	1	LABEL	230/400/3/50 3-33, 3-41 *BE*NO*	4005337645
19	15884	2	CABLE STRAP 4,7X1,3X350	3-22	4005337158
20	2423	2	ADHESIVE CLIP	3-22	4005337024
21	3821343	1	CAPACITOR 50AF	3-22	5701715044
22	22290	1	MOUNTING RAIL TS35 ST/ZN	PLEASE INDICATE LENGTHS IN METRES WHEN ORDERING	4005337222
23	103822313	1	CONTACTOR 12-25A 50/60HZ 24V	3-25 110V	
23	301001228	1	CONTACT 100-K12KJ3M 24	400/3/50 3-33, 3-33 CLASSIC, 3-41 *EU*, 3-22 *EU*G	4005337038
23	63903	1	CONTACT 100-C16KJ10 24	230/400/3/50 3-33, 3-41 *BE*NO*, 3-20, 3-25, 3-26	4005337639
24	301000689	1	END PLATE GREY 4MM TYP 264		4005337691
25	301000688	1	WIRE TERMINAL 4X2.5MM	230/400/3/50 3-33, 3-41 *BE*NO*, 3-22, 3-23, 3-26,	4005337691
26	301000687	2	WIRE TERMINAL 2X2.5MM	3-22, 3-23, 3-26	4005337691
27	301000683	1	JUMPER	400/3/50 3-33, 3-33 CLASSIC, 3-41 *EU*	4005337691
28	301000686	2	WIRE TERMINAL 4X2,5MM T		4005337691
29	301000722	1	WIRE H07V-K		4005337691
30	301000681	1	TRANSFORMER 230/400-24/8V		4005337691
30	301001059	1	TRANSFORMER 220AT 460V 24	3-26 60Hz	4005337030
30	301001060	1	TRANSFORMER 115AT 200V 2	3-17 CLASSIC, 3-20, 3-38	4005337030
31	301002353	1	INRUSH CURRENT LIMITER 5 OHM / 5W	3-17, 3-20, 3-23, 3-25, 3-26, 3-30, 3-30 CLASSIC	4005337083
32	301001991	1	CIRCUIT BOARD 1PH 24V AC	3-25 110V	4005337070

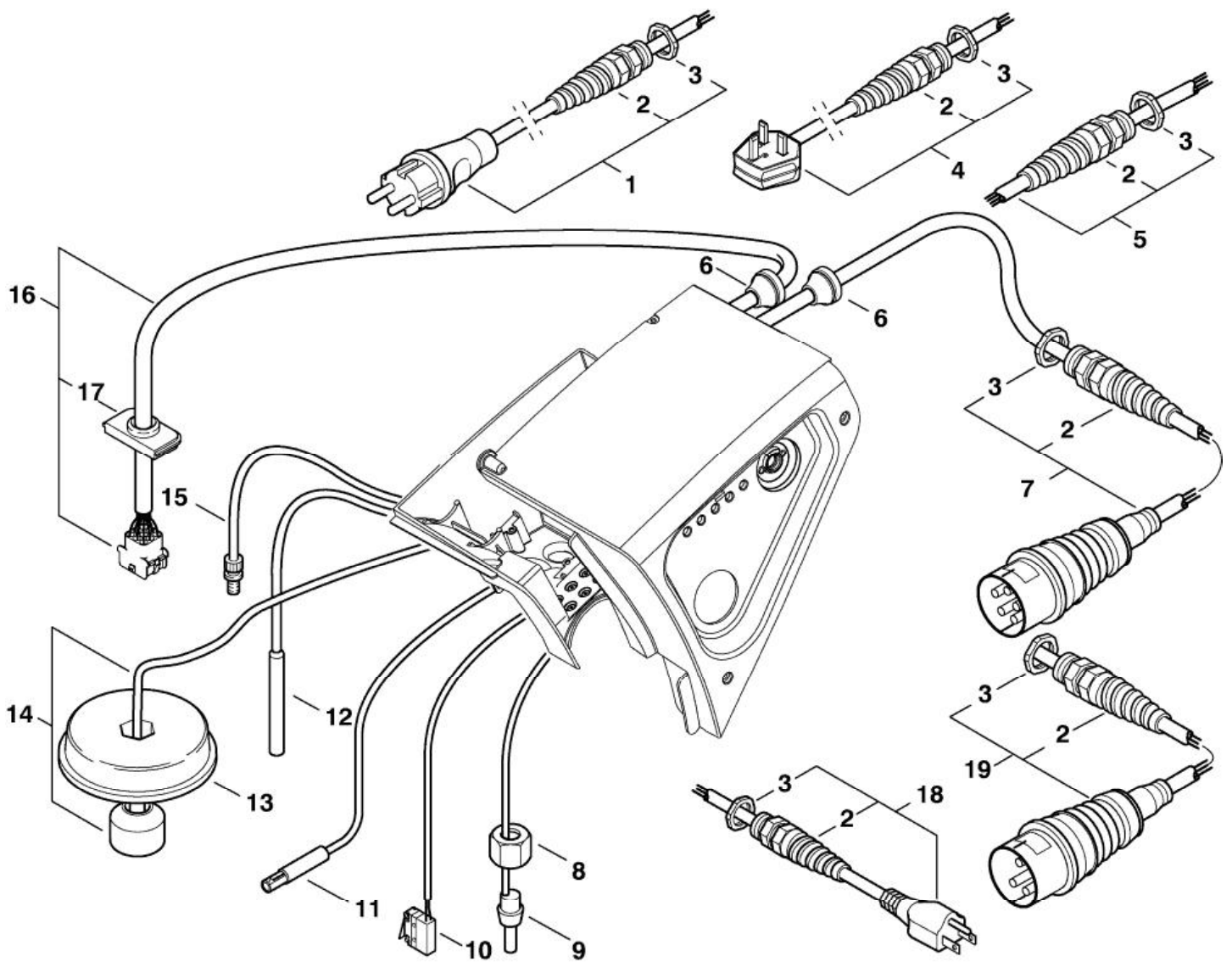
# Electric box (b)

NEPTUNE 3

02-07-2009

Part List ID  
NEPT312

29



# Electric box (b)

NEPTUNE 3

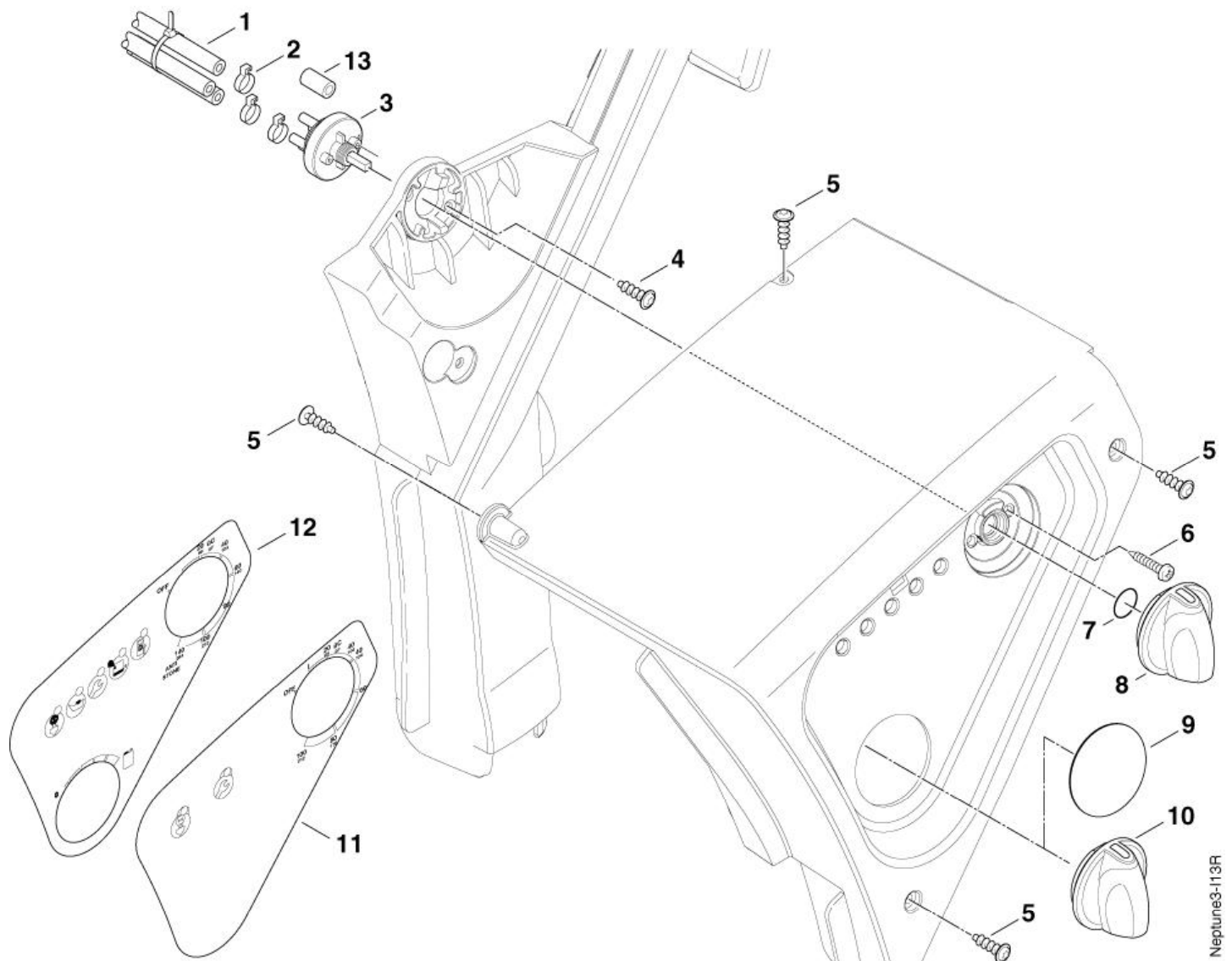
02-07-2009

Part List ID

NEPT312

30

Pos	Part no.	Qty	Description		EAN
1	301000829	1	POWER CORD H07RN-F 3G1.5X6.0	230/1/50 3-22, 3-26 *EU*KR*	4005337021
2	909100043	1	CABLE SCREWING W. ANTIBUC. M20X1.5		4005337679
2	909100198	1	SCREWED CABLE GLAND M25X1.5	3-25 110V	4005337056
3	909100019	1	HEXAGON THIN NUT M20X1.5 EN 50262 PA		4005337016
3	909100020	1	HEXAGON THIN NUT M25X1.5 EN 50262 PA	3-25 110V	4005337017
4	301000912	1	POWER CORD H07RN-F 3G1.5X6.0	230/1/50 3-22, 3-23 *GB*	4005337023
5	301000833	1	POWER CORD H07RN-F 4G2.5X6.0	230/400/3/50 3-33, 3-41 *BE*NO*	4005337021
5	301001913	1	POWER CORD VCT 4X2.0X11	3-38	4005337088
6	3803780	2	GROMMET 10-14C		5701715007
7	301000834	1	POWER CORD H07RN-F4G1.5X6	400/3/50 3-33, 3-33 CLASSIC, 3-41 *EU*	4005337021
8	1081	1	UNION NUT L 12		4005337010
9	301000730	1	TEMPERATURE SENSOR		4005337691
10	301000731	1	MICRO SWITCH 250V		4005337691
11	301000729	1	FLAME SENSOR	Option	4005337691
12	301002458	1	REED CONTACT 8X75		4005337087
13	301000615	1	COVER/SWITCH 70X15,5	3-20, 3-23, 3-25, 3-26, 3-30, 3-33, 3-38, 3-41	4005337022
14	301001196	1	FLOAT SWITCH	3-20, 3-23, 3-25, 3-26, 3-30, 3-33, 3-38, 3-41	4005337035
15	301000732	1	THERMO FUSE		4005337691
16	301000724	1	CORD MOTOR 9-POL.	3-25 110V	4005337691
16	301000725	1	CORD MOTOR 9-POL.	3-38	4005337691
16	301000726	1	CORD MOTOR 7-POL. KLIXO	3-17, 3-20, 3-23, 3-25, 3-26, 3-30, 3-30 CLASSIC,	4005337691
16	301000727	1	CORD MOTOR 9-POL.	400/3/50 3-33, 3-33 CLASSIC, 3-41 *EU*	4005337691
16	301000728	1	CORD MOTOR 9-POL. 230AT 4	230/400/3/50 3-33, 3-41 *BE*NO*	4005337691
16	301001582	1	WIRE MOTOR	3-17 CLASSIC, 3-22 *EU*GB*	4005337052
17	17106	1	INSET		4005337171
18	301002393	1	POWER CORD SJTW-A AWG14/3X11.5M	3-17 CLASSIC	4005337086
18	3821142	1	POWER CORD SJTWA WG 12/3X11	3-30, 3-30 CLASSIC	5701715008
18	3821316	1	POWER CORD AWG12/3X11 SJTOW	3-20	4005337115
19	301001992	1	POWER CORD H07BQ-F 3G4X6.0 CEE 32A4H	3-25 110V	4005337070



Neptune3-113R

# Cover electric box

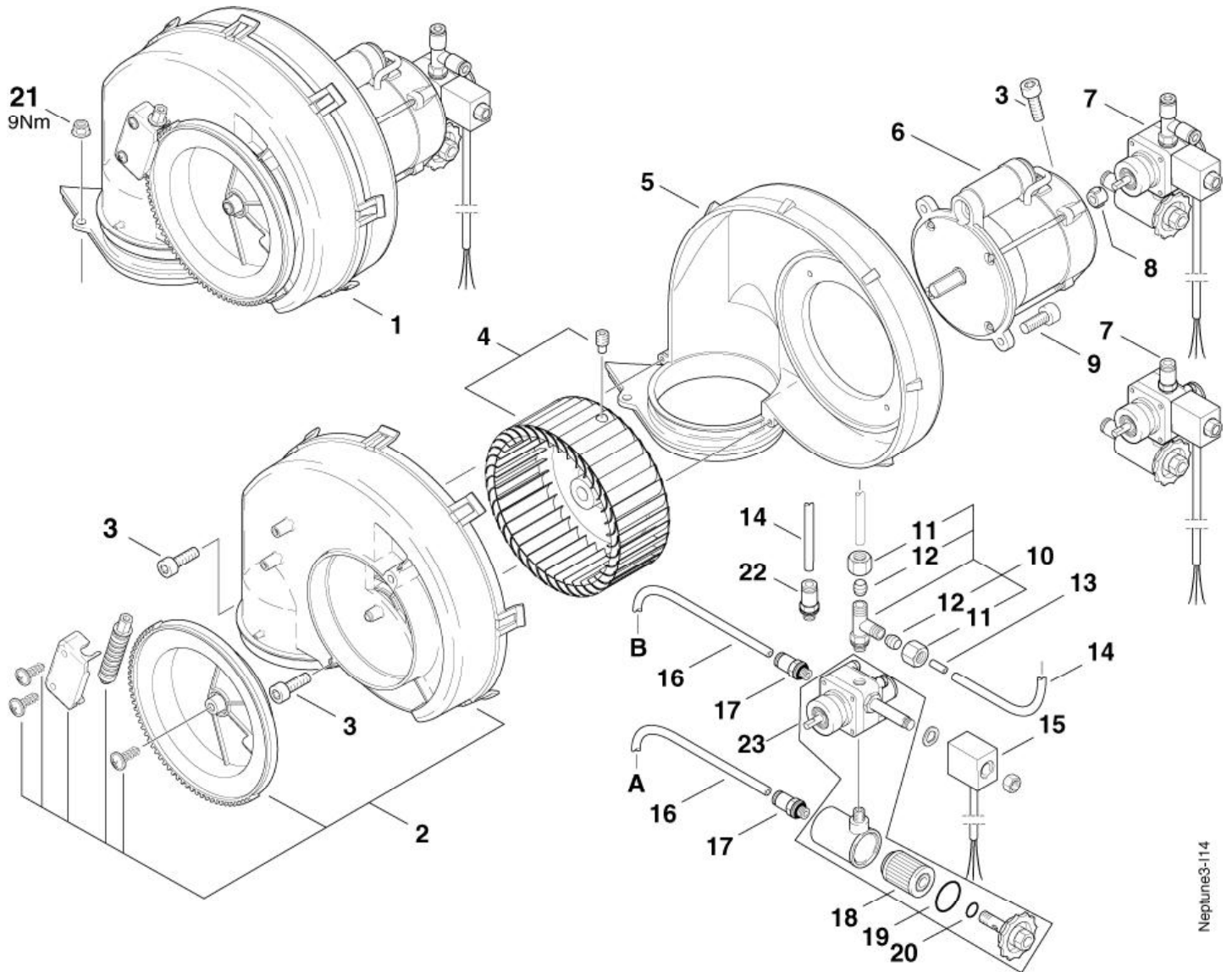
NEPTUNE 3

02-07-2009

Part List ID  
NEPT313

32

Pos	Part no.	Qty	Description	EAN
1	101406100	1	DN 6X3 - 5 METER	4005337163
2	11654	3	HOSE CLAMP DIA 11,5	4005337116
3	301001000	1	VALVE 51X70	4005337028
4	1814730	2	SCREW 30X10B	5701715363
5	1814614	5	SCREW 5X18	5701715208
6	19527	2	COUNTERSUNK SCREW M4X10	4005337195
7	9868	1	O RING DIA 10X2,5	4005337098
8	909100204	1	ROTARY KNOB 6X5 BLUE	4005337689
9	301001681	1	COVER PLATE 52.5X4	3-17 CLASSIC, 3-22, 3-30 CLASSIC, 3-33 CLASSIC 4005337066
10	909100214	1	ROTARY KNOB GR.1 4KT. 6X6+8X8 BLUE	3-20, 3-23, 3-25, 3-26, 3-30, 3-33, 3-38, 3-41 4005337026
11	301001226	1	LABEL CONTROL PANEL	3-17 CLASSIC, 3-22, 3-30 CLASSIC, 3-33 CLASSIC 4005337046
12	301001227	1	LABEL CONTROL PANEL	3-20, 3-23, 3-25, 3-26, 3-30, 3-33, 3-38, 3-41 4005337046
13	301001906	1	CLOSING CAP Ø12X21.5	4005337068



Neptune3-114

# Burner unit

## NEPTUNE 3

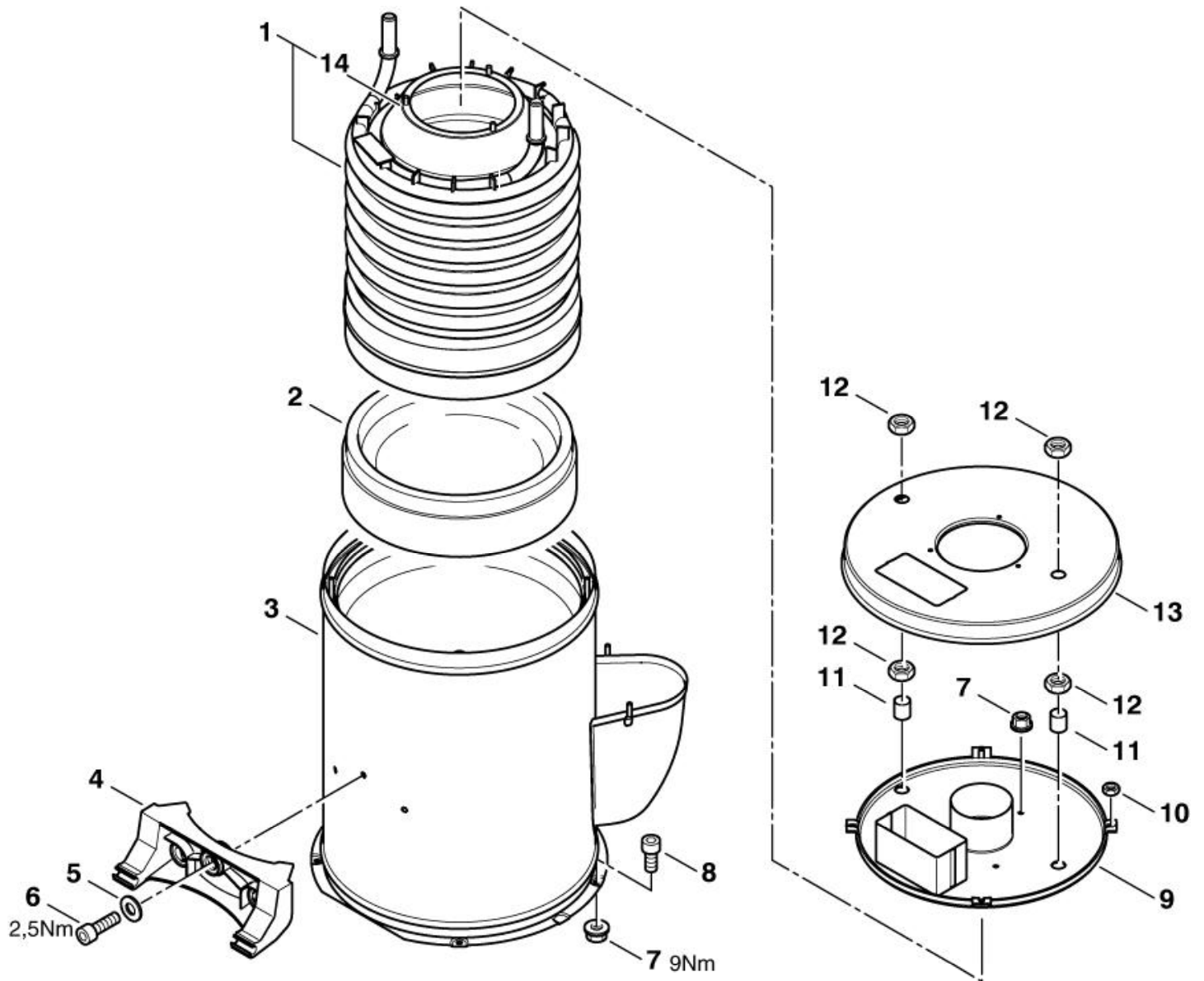
02-07-2009

Part List ID

NEPT314

34

Pos	Part no.	Qty	Description	EAN	
1	301000908	1	BURNER FAN HOUSING	*EU*BE*NO* 3-22, 3-26, 3-33, 3-33 CLASSIC, 3-41	4005337023
1	301001358	1	BURNER FAN HOUSING Kerosine	*GB* 230V 3-22, 3-23, 3-25	4005337041
1	301001377	1	BURNER FAN HOUSING Kerosine	3-17 CLASSIC, 3-20, 3-25 110V	4005337041
1	301001395	1	BURNER FAN HOUSING Kerosine	3-26 60 Hz, 3-30, 3-30 CLASSIC, 3-38	4005337041
2	301000852	1	COVER FOR FAN HOUSING		4005337022
3	32535	3	SCREW M5X16		4005337325
4	301000889	1	FAN WHEEL Ø160X60		4005337023
4	301002126	1	FAN WHEEL	3-17 CLASSIC, 3-20, 3-25 110V	4005337078
5	301000495	1	FAN HOUSE		4005337022
6	301000880	1	BURNER ENGINE	3-17 CLASSIC, 3-20, 3-25 110V	4005337022
6	301000881	1	MOTOR 390W 200-220V 50-60HZ	3-26 60Hz, 3-30, 3-30 CLASSIC, 3-38	4005337022
6	301000882	1	BURNER MOTOR 180W 230V 50HZ		4005337023
7	301002131	1	OIL-PUMP SP 55B 4316MOIL-PUMP SP 55B 431	*EU*BE*NO* =>31.03.2005	4005337078
7	301002131	1	OIL-PUMP SP 55B 4316MOIL-PUMP SP 55B 431	*EU*BE*NO*  01.04.2005=>	4005337078
7	301002133	1	OIL-PUMP Kerosin SP 55B 4316M	*GB*US*KR*JP*  01.04.2005=>	4005337078
7	301002133	1	OIL-PUMP Kerosin SP 55B 4316M	*GB*US*KR*JP* =>31.03.2005	4005337078
8	1226	1	COUPLING		4005337012
9	4697	2	SCREW M6X16		4005337046
10	909100142	1	THREADED JOINT L-TYPE	=>31.03.2005	4005337025
11	1603430	2	UNION NUT	=>31.03.2005	5701715024
12	1603448	2	CUTTING RING L4	=>31.03.2005	5701715024
13	301000914	1	SUPPORT 4X14	3-23, 3-25, 3-26, 3-33, 3-41=>31.03.2005	4005337025
13	301001180	1	PLUG 4	'=>31.03.2005  '3-22	4005337034
14	909100141	1	PIPE Ø 4X1	PLEASE INDICATE LENGTHS IN METRES WHEN ORDERING	4005337023
15	60993	1	FUEL SOLENOID 24V		4005337609
16	17710	1	TUBE Ø6 X 1 DIN 73378	PLEASE INDICATE LENGTHS IN METRES WHEN ORDERING	4005337177
17	29599	2	UNION PIECE Ø 6 G1/8R12		4005337295
18	1756	1	FILTER CARTRIDGE		4005337017
19	40907	1	O-RING Ø 31,47X1,78		4005337409
20	9868	1	O RING DIA 10X2,5		4005337098
21	12496	2	HEXAGON NUT M6		4005337124
22	301002070	1	UNION PIECE 4/G1/8	01.04.2005=>	4005337076
23	301002100	1	BASE-FUEL PUMP WITH FILTER		4005337079
23	301002101	1	BASE-FUEL PUMP WITH FILTER		4005337079



# Heat exchanger

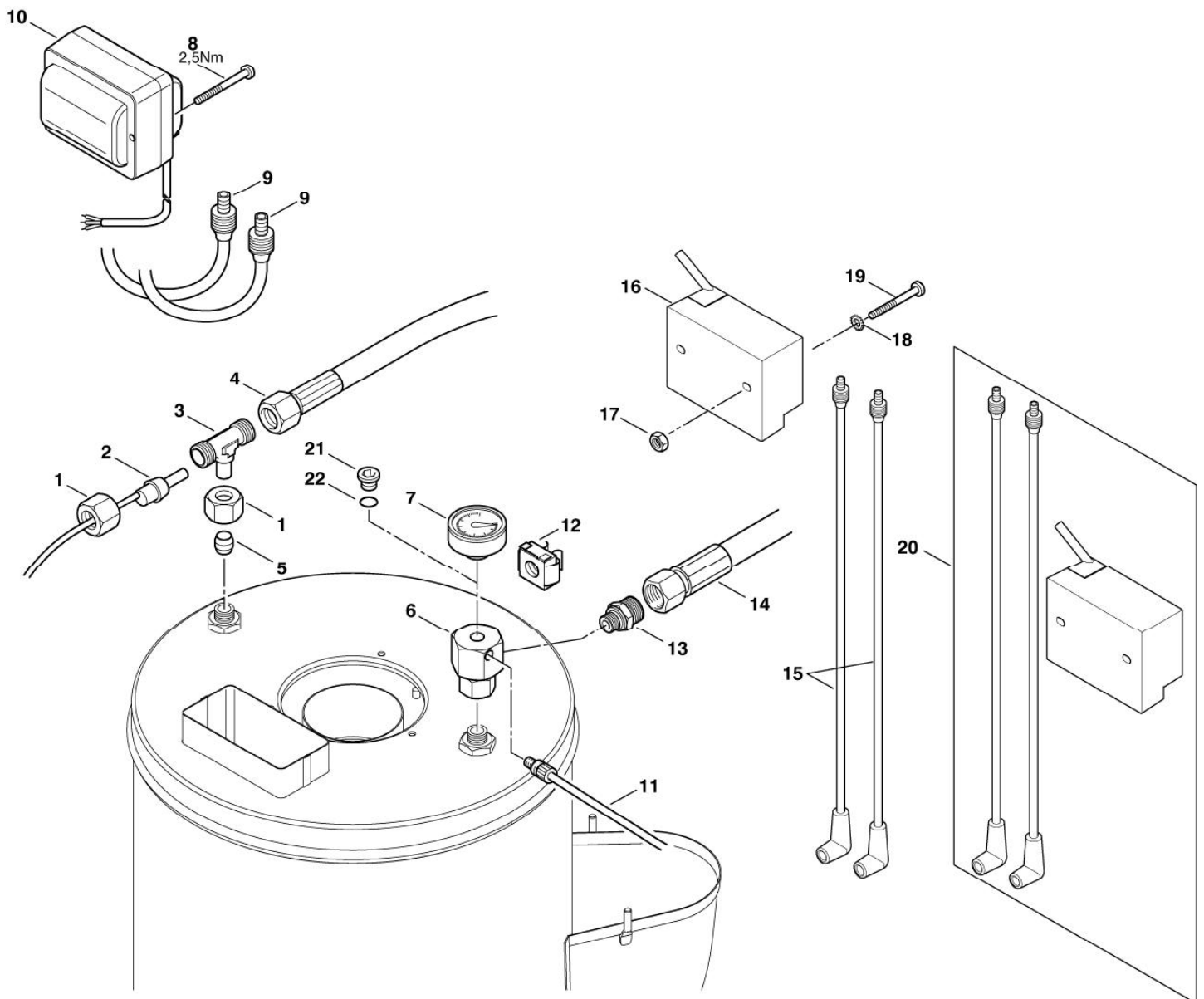
## NEPTUNE 3

02-07-2009

Part List ID  
NEPT315

36

Pos	Part no.	Qty	Description		EAN
1	301001370	1	COIL STAINLESS NEPTUNE	Option	4005337052
1	301001371	1	CALORIFIER KIT NEPTUNE		4005337052
2	301001367	1	INSULATION Ø310X79		4005337052
3	301001364	1	BOILER SHELL CPL. NEPTUNE		4005337052
4	301001260	1	ROTATION ELEMENT 263X112X87	PA	4005337043
5	2763	3	WASHER 5,3X1		4005337027
6	3873	3	SCREW M5X30		4005337038
7	12496	7	HEXAGON NUT M6		4005337124
8	3913	4	SCREW M6X12		4005337039
9	301001773	1	BOILER COVER INNER		4005337061
10	12263	4	HEXAGON NUT M6		4005337031
11	301000582	2	BUSHING Ø22X1.5X24		4005337024
12	7012	4	HEXAGON NUT M18X1,5		4005337070
13	301000534	1	BOILER COVER OUTER		4005337031
14	301000541	1	SHIELDING CONE		4005337065



# Distributor, ignition transformer

NEPTUNE 3

02-07-2009

Part List ID  
NEPT316

38

Pos	Part no.	Qty	Description	EAN
1	1081	2	UNION NUT L 12	4005337010
2	301000730	1	TEMPERATURE SENSOR	4005337691
3	4102	1	SCREWING	4005337041
4	301000855	1	HP-HOSE Ø8X650	4005337022
5	1080	1	RING L 12	4005337010
6	301001280	1	DISTRIBUTOR	4005337049
7	301000246	1	MANOMETER 0-300 BAR	3-20, 3-23, 3-25, 3-26, 3-30, 3-33, 3-38, 3-41 4005337671
8	1809821	2	SCREW M5X50 DIN 7985	5701715030
9	301000858	2	IGNITION CORD Ø7X500	4005337022
10	301000879	1	IGNITION TRANSFORMER	4005337022
10	301002459	1	IGNITION TRANSFORMER 110/120V 50/60HZ	3-17, 3-20, 3-25 110V 4005337087
11	301000732	1	THERMO FUSE	4005337691
12	909100152	1	NUT M8	4005337031
13	3938	1	UNION PIECE SDS L12 G1/4 ISO	4005337039
14	301000854	1	HP-HOSE 8X610	4005337022
15	101117659	2	IGNITION CABLE KIT	from feb. 2007 serial no. 2006190523 4005337158
16	101117660	1	IGNITION TRANSFORMER W/PRIMARY CORD	from feb. 2007 serial no. 2006190523 4005337158
16	301002656	1	IGNITION TRANSFORMER 220-240 50-60	AU 230/1/50 4005337112
17	2760	2	HEXAGON NUT M5	from feb. 2007 serial no. 2006190523 4005337027
18	3376	2	SERRATED LOCK WASHER Ø 5,	from feb. 2007 serial no. 2006190523 4005337033
19	42236	2	CHEESE HEAD SCREW	from feb. 2007 serial no. 2006190523 4005337422
20	101117658	1	IGNITION TRANSFORMER W/CABLES - KIT	4005337158
21	33047	1	PLUG G1/8	3-17 CLASSIC, 3-22, 3-30 CLASSIC, 3-33 CLASSIC 4005337330
22	1605	1	PACKING RING 10X14	3-17 CLASSIC, 3-22, 3-30 CLASSIC, 3-33 CLASSIC 4005337016

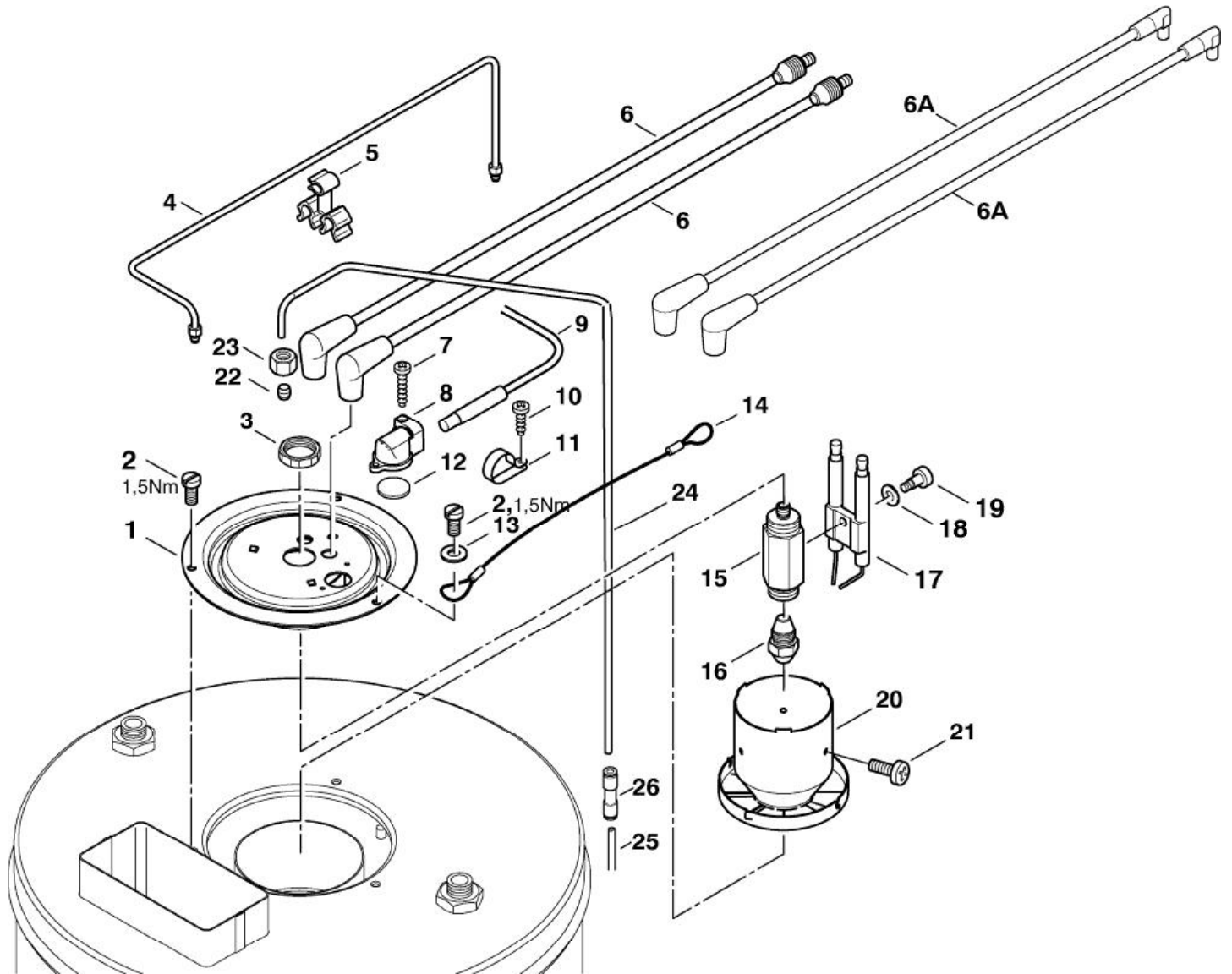
# Burner head assy.

NEPTUNE 3

02-07-2009

Part List ID  
NEPT317

39



# Burner head assy.

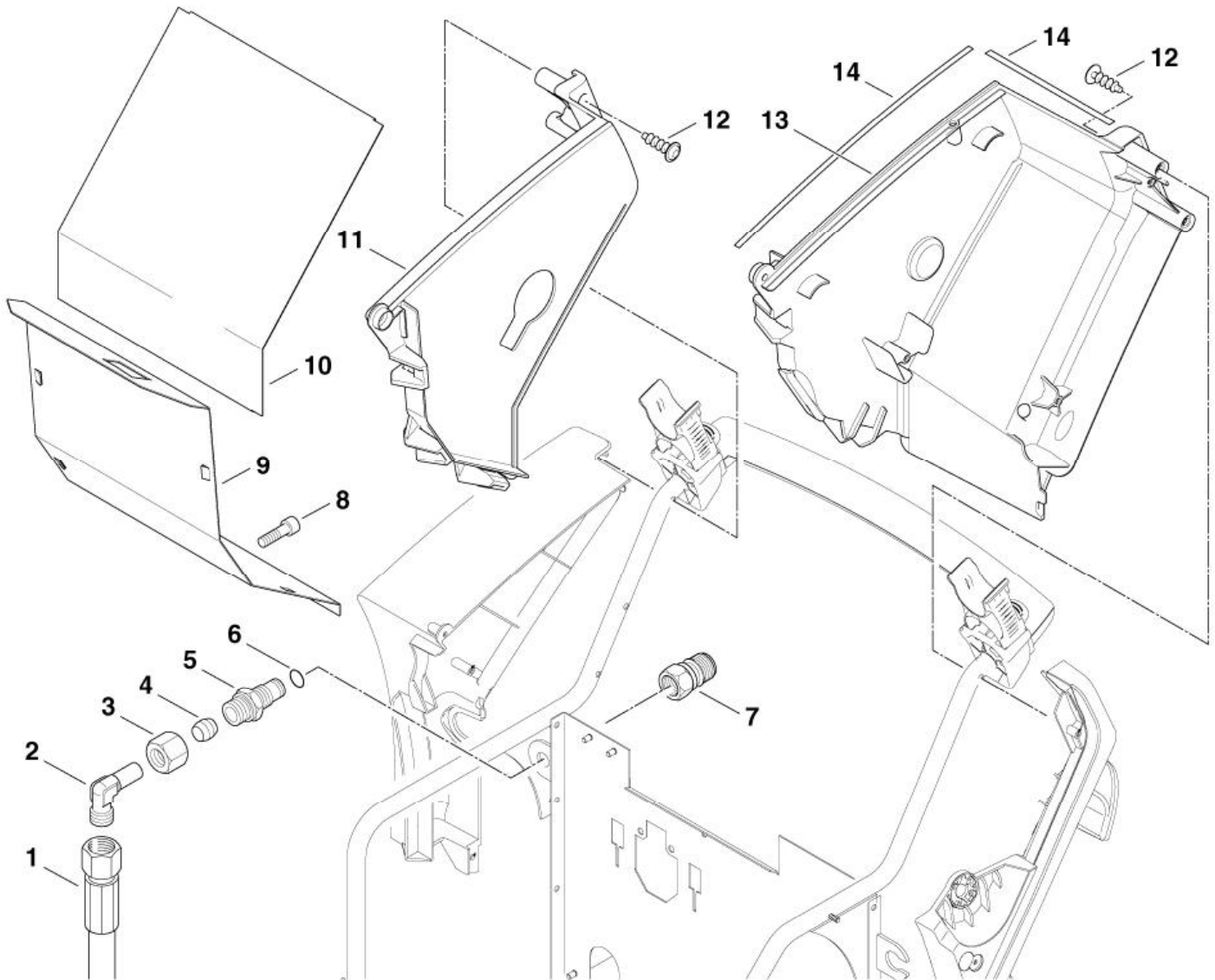
NEPTUNE 3

02-07-2009

Part List ID  
NEPT317

40

Pos	Part no.	Qty	Description	EAN
1	301000606	1	COVER Ø150X38	4005337022
2	4820	3	SCREW M5X10	4005337048
3	909100139	1	HEXAGON NUT M20X1 24X6 CUZN	4005337023
4	301001293	1	PIPE BENT Ø 4X100X339X67 =>31.03.2005	4005337048
5	301001073	1	HOLDER-PIPE NEPTUNE =>31.03.2005	4005337031
6	301000858	2	IGNITION CORD Ø7X500	4005337022
7	5606	1	SCREW 2,9X19	4005337056
8	301000934	1	HOLDER FLAMESENSOR	4005337025
9	301000729	1	FLAME SENSOR Option	4005337691
10	4036	1	SHEET METAL SCREW 2,9X9,	4005337040
11	301001069	1	HOLDER Ø 4,8	4005337031
12	301000933	1	SHEET METAL Ø20X3 See TSB MPW-073	4005337025
13	2763	1	WASHER 5,3X1	4005337027
14	301001680	1	ROPE 1X710	4005337060
15	301001548	1	HOLDER OIL ATOMIZER SW22X65.5	4005337059
16	2802445	1	FUEL NOZZLE 1,25GAL/H 80 3-30, 3-30 CLASSIC, 3-33, 3-33 CLASSIC, 3-38, 3-41	5701715036
16	2802712	1	NOZZLE 1,0 GAL/H 3,72KG/ 3-17 CLASSIC, 3-20, 3-22, 3-23, 3-25, 3-26	5701715115
17	301150009	1	SPARE PART KIT FOR IGNITION ELECTRODE	4005337158
18	909100144	1	SPRING WASHER B5	4005337025
19	909100143	1	PAN HEAD SCREW M4X 4.5	4005337026
20	301001278	1	AIR DISTRIBUTOR Ø79X59.2 3-30, 3-30 CLASSIC, 3-33, 3-33 CLASSIC, 3-38, 3-41	4005337047
20	301001683	1	AIR DISTRIBUTOR Ø80X59.2 3-17 CLASSIC, 3-20, 3-22, 3-23, 3-25, 3-26	4005337060
21	51848	3	OVAL HEAD SCREW M3X4	4005337518
22	1603448	1	CUTTING RING L4  01.04.2005=>	5701715024
23	1603430	1	UNION NUT  01.04.2005=>	5701715024
24	301002072	1	PIPE BENDED Ø4X582  01.04.2005=>	4005337077
25	909100141	1	PIPE Ø 4X1  01.04.2005=> PLS. INDICATE LENGTH IN METRES	4005337023
26	301001912	1	UNION PIECE 4/4  01.04.2005=>	4005337068
6A	301002505	2	IGNITION CORD from feb. 2007 serial no. 2006190523	4005337104



Neptune3-118R

# Basket

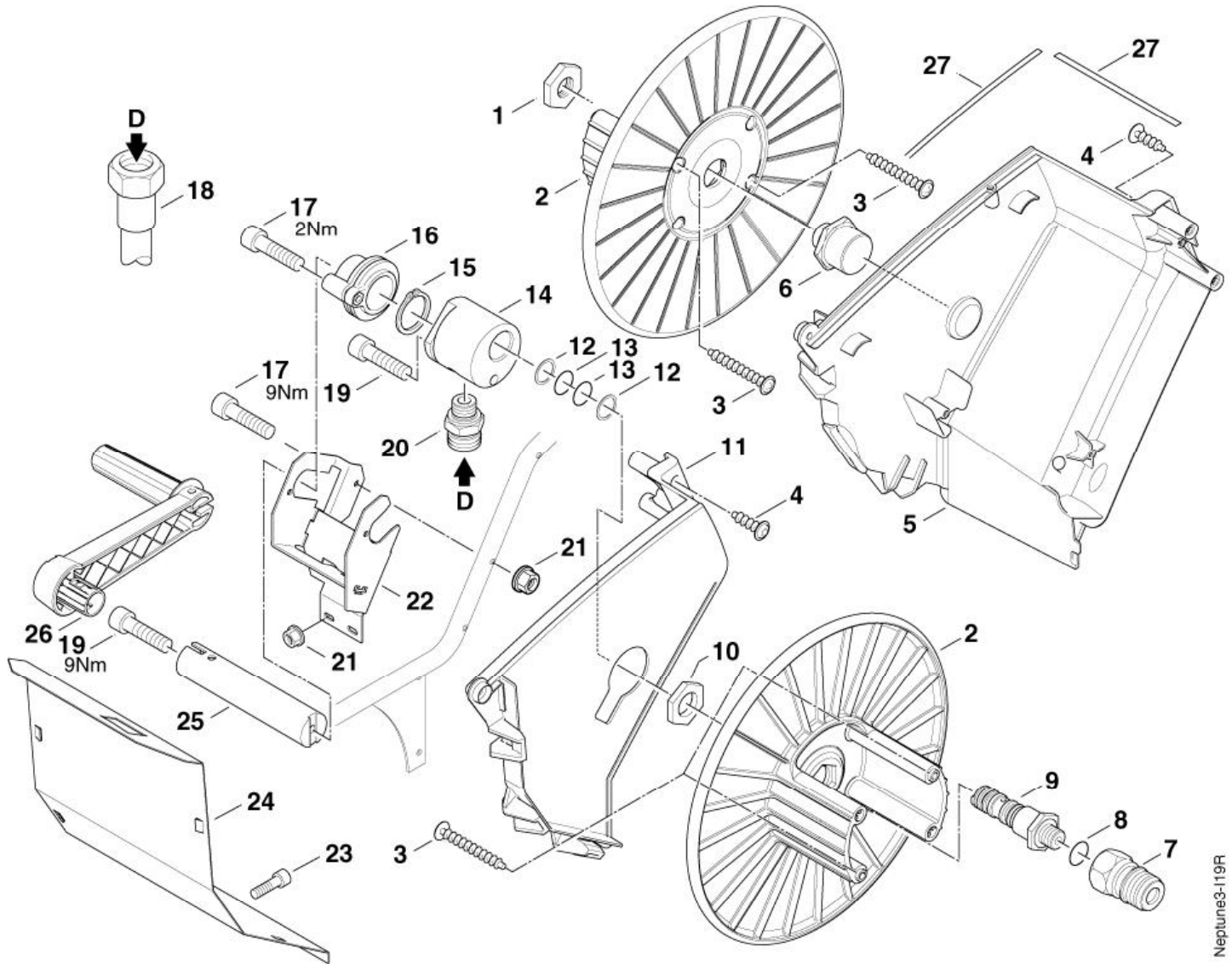
## NEPTUNE 3

02-07-2009

Part List ID  
NEPT318

42

Pos	Part no.	Qty	Description		EAN
1	301000855	1	HP-HOSE Ø8X650	Standard models	4005337022
2	1504	1	FITTING XEVW 12L ZN	Standard models	4005337015
3	1081	1	UNION NUT L 12	Standard models	4005337010
4	1080	1	RING L 12	Standard models	4005337010
5	301000627	1	FITTING	Standard models	4005337021
6	42768	1	O-RING Ø 11,2X1,8	Standard models	4005337427
7	1600493	1	NIPPLE F. Q-COUP. 3/8IN HP	Standard models	5701715023
8	3913	2	SCREW M6X12	Standard models	4005337039
9	301001254	1	SHEET METAL 1X287X199X185	Standard models	4005337047
10	301001255	1	SHEET METAL 1X221X207X134	Standard models	4005337047
11	301001190	1	HOSE REEL CABINET RIGHT	Standard models	4005337043
12	1814614	2	SCREW 5X18	Standard models	5701715208
13	301001189	1	HOSE REEL CABINET LEFT	Standard models	4005337040
14	301001811	2	GASKET 500X7X2	Standard models	4005337066



Neptune3-I19R

# Hose reel

## NEPTUNE 3

02-07-2009

Part List ID  
NEPT319

44

Pos	Part no.	Qty	Description		EAN
1	909100145	1	HEXAGON NUT G 3/8X6	X-MODELS	4005337026
2	301000775	2	HOSE DRUM SECTION	X-MODELS	4005337024
3	909100153	4	SCREW 6X40	X-MODELS	4005337032
4	1814614	4	SCREW 5X18	X-MODELS	5701715208
5	301001189	1	HOSE REEL CABINET LEFT	X-MODELS	4005337040
6	301001266	1	SCREW G3/8 SW 30	X-MODELS	4005337042
7	1600493	1	NIPPLE F. Q-COUP. 3/8IN HP	X-MODELS	5701715023
8	1801075	1	PACKING RING Ø 23,8X Ø 17,2	X-MODELS	5701715027
9	301000976	1	HOLLOW SCREW G3/8	X-MODELS	4005337026
10	62696	1	HEXAGON NUT M24X1,5X6	X-MODELS	4005337626
11	301001190	1	HOSE REEL CABINET RIGHT	X-MODELS	4005337043
12	63792	2	SUPPORTING RING Ø16.26X2.18	X-MODELS	4005337637
13	19620	2	O-RING Ø 15.54X2.62	X-MODELS	4005337196
14	301000624	1	HOISTING RING HOUSING 45X4	X-MODELS	4005337022
15	32524	1	RETAINING RING 20X1,2	X-MODELS	4005337325
16	301000849	1	BEARING LEFT Ø 50X33	X-MODELS	4005337022
17	5945	2	SCREW M6X30	X-MODELS	4005337059
18	301000855	1	HP-HOSE Ø8X650	X-MODELS	4005337022
19	9570	2	SCREW M6X40	X-MODELS	4005337095
20	54590	1	FITTING XGE12L 1/4NPT	X-MODELS	4005337545
21	12496	3	HEXAGON NUT M6	X-MODELS	4005337124
22	301001257	1	FRAME 189X129X125.5	X-MODELS	4005337043
23	3913	1	SCREW M6X12	X-MODELS	4005337039
24	301001254	1	SHEET METAL 1X287X199X185	X-MODELS	4005337047
25	301001263	1	ADAPTER Ø28X140	X-MODELS	4005337042
26	301000733	1	CRANK 190X175X45	X-MODELS	4005337022
27	301001811	2	GASKET 500X7X2	X-MODELS	4005337066

No Drawing For Part List

# Default accessories

NEPTUNE 3

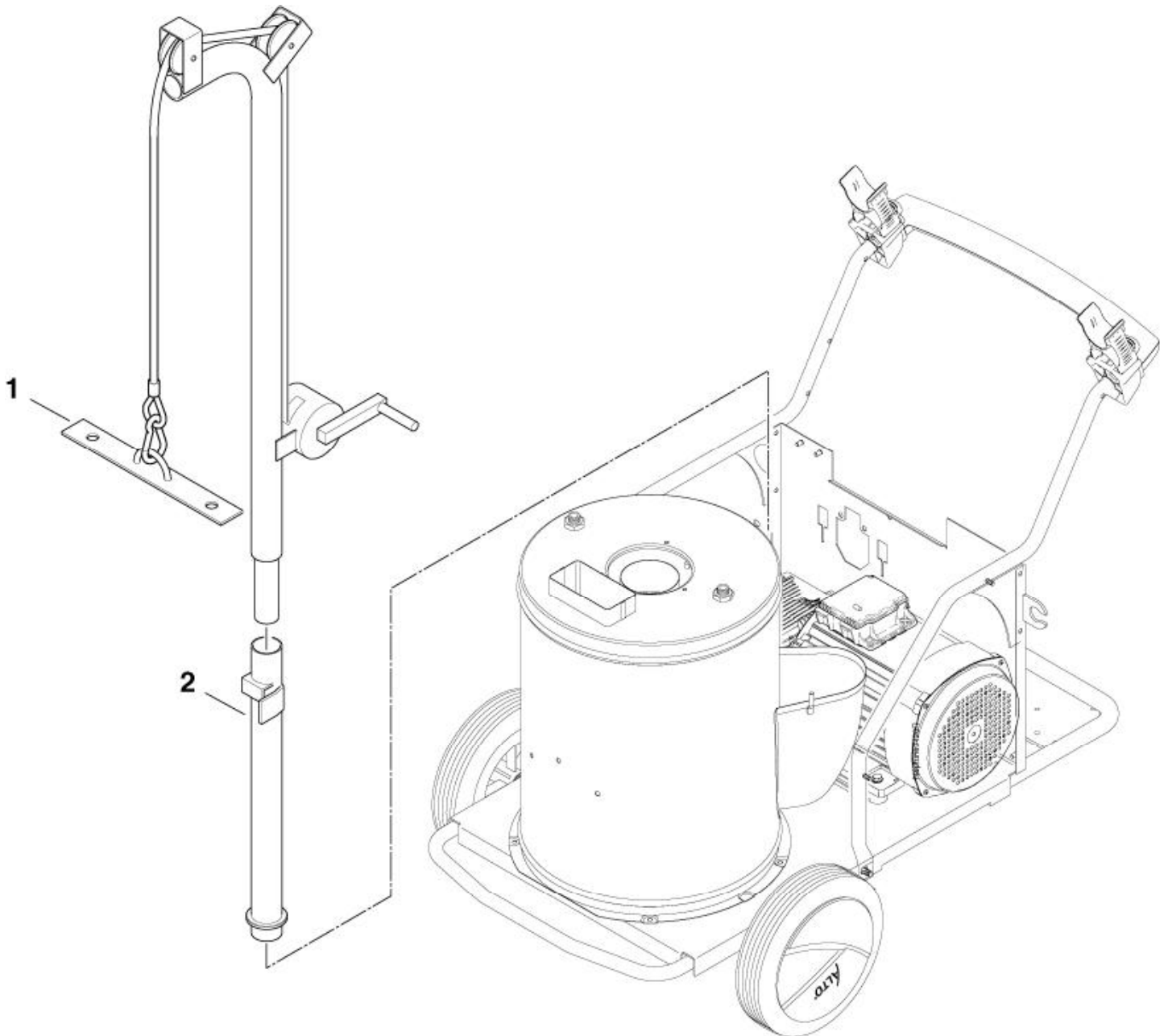
02-07-2009

Part List ID

NEPT322

46

Pos	Part no.	Qty	Description		EAN
1	101119496	1	ERGO COUPLING KIT		5701715304
1	101119737	1	NOZZLE 0370 INDICATION RING BRONZE	3-26	5701715324
1	101119738	1	NOZZLE 0400 INDICATION RING METAL GREY	3-22, 3-33, 3-41	5701715324
1	101119740	1	NOZZLE 0450 INDICATION RING LIGHT BLUE	(3-38 JP, 60Hz)	5701715324
1	101119741	1	NOZZLE 0500 INDICATION RING YELLOW	3-25, (3-38 JP, 50Hz)	5701715324
1	101405770	1	10 M WIRE HOSE 5/16 DN8		5701715330
1	106402121	1	TORNADO 3000 LANCE 920 W/O NOZZLE		5701715324
1	301001100	1	HP-HOSE DN8X15M		4005337031
1	301002410	1	ERGO 1000		4005337088
1	301002411	1	SPRAY GUN ERGO 1000 VARIOPRESS		4005337090



# Service crane

NEPTUNE 3

02-07-2009

Part List ID  
NEPT320

48

Pos	Part no.	Qty	Description	EAN
1	301001078	1	SERVICE CRANE 301001267 or 301001804 also necessary	4005337031
2	301001804	1	SUPPORT	4005337067

No Drawing For Part List

# Total check kits, recommended spare parts

## NEPTUNE 3

02-07-2009

Part List ID

NEPT3REC

50

Pos	Part no.	Qty	Description	EAN
	301001949	1	TOTAL CHECK N3	4005337069
	301001950	1	TOTAL CHECK N3-22 EU	4005337069
	301001951	1	TOTALCHECK N3-23	4005337069
	301001952	1	TOTALCHECK N3-41	4005337069
	301002012	1	TOTAL CHECK N3-22 GB	4005337071
	301002013	1	TOTAL CHECK N3-26 EU	4005337071
	301002014	1	TOTAL CHECK N3-33	4005337071