

POSEIDON 8 / HIGH FLOW



Model:
POSEIDON 8-128



Part List US-English

13-04-2009

Nilfisk
ALTO
Why Compromise



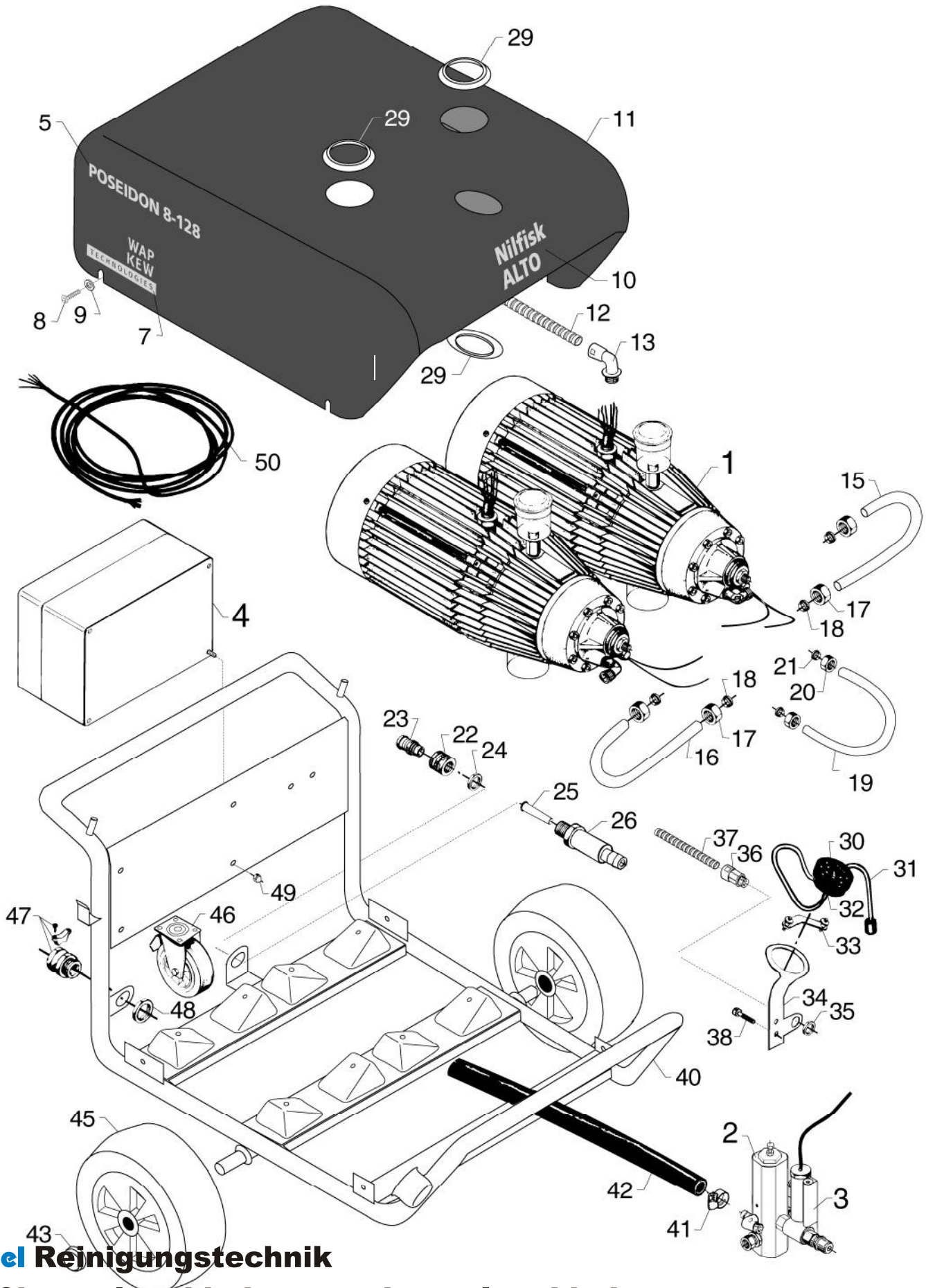
heupel **Reinigungstechnik GmbH**

Gottlieb Daimler Str. 6
88214 Ravensburg
email: info@heupel-gmbh.de
www.heupel-gmbh.de

Tel. (+49) 0751-35905-3
Fax. (+49) 0751-3590-59

Shop: www.nilfisk-alto-shop.eu

Overview	3
Motor/pump 1	6
Motor/pump 2	8
Motor/pump 3	10
Flow switch	12
Overflow valve	14
Electric parts	16
Default accessories	18



Overview

POSEIDON 8 / HIGH FLOW

13-04-2009

Part List ID
POSEIDON82

4

Pos	Part no.	Qty	Description		EAN
1		1	USE LINK	MOTOR/PUMP UNIT	
2		1	USE LINK	OVERFLOW VALVE	
3		1	USE LINK	FLOW SWITCH	
4		1	USE LINK	CONNECTION BOX	
5	107309101	2	LOGO POSEIDON 8-128		5701715421
5	107309101	2	LOGO POSEIDON 8-128		5701715421
7	6100217	2	LOGO WAP KEW TECHNO.	WAP/KEW	5701715270
7	6155914	2	KEW TECHNOLOGY LOGO	KEW	5701715240
8	4814098	4	SCREW M5X12 SS		5701715270
9	1804152	4	WASHER M5		5701715029
10	6155913	2	ALTO LOGO		5701715240
11	4809124	1	CABINET		5701715270
12	4812194	1	FLEX HOSE	MEWA	5701715421
13	4812192	1	CABLE LEAD-IN ELBOW		5701715270
15	4809150	1	TUBE LEFT		5701715270
16	4809135	1	TUBE RIGHT		5701715270
17	1603374	4	UNION NUT GALV. Ø15		5701715024
18	1603366	4	CUTTING RING, GALV.D15		5701715024
19	4809111	2	TUBE		5701715270
20	1081	4	UNION NUT L 12		4005337010
21	1080	4	RING L 12		4005337010
22	1602945	1	QUICK COUPLING 3/4IN W/GASKET		5701715024
23	1600659	1	LP NIPPLE F. Q.-COUPLING 3/4IN	3/4	5701715023
23	1602473	1	MALE COUPLING 5/8IN	5/8 CH	5701715024
24	1800341	1	LOCK NUT 3/4IN		5701715026
25	6100941	1	FILTER		5701715000
26	4809148	1	HOUSING F. FILTER		5701715270
29	6200590	3	SLEEVE		5701715080
30	3601262	1	PRESSURE GAUGE 0-300 BAR		5701715040
31	6220678	1	PRESSURE GAUGE CONNECTION		5701715084
32	1602127	1	RING FOR PRESSURE GAUGE		5701715024
33	1808088	1	CLAMP FOR PRESSURE GAUGE		5701715030
34	4809133	1	SUPPORT FOR PRESSURE GAUGE		5701715270
35	3800802	3	LOCK NUT		5701715040
36	4812193	3	CABLE LEAD-IN PG9	MEWA	5701715270
37	4812195	1	FLEX HOSE	MEWA	5701715415
38	4814103	2	SCREW		5701715270
40	4809112	1	CHASSIS		5701715270
41	8298	2	HOSE CLIP 16-27		4005337082
42	5206230	1	HOSE 5/8IN	MEWA	5701715296
43	2003481	2	HUB-CAP Ø20		5701715031
45	4809143	2	WHEEL FOR HIGH FLOW		5701715270

Overview

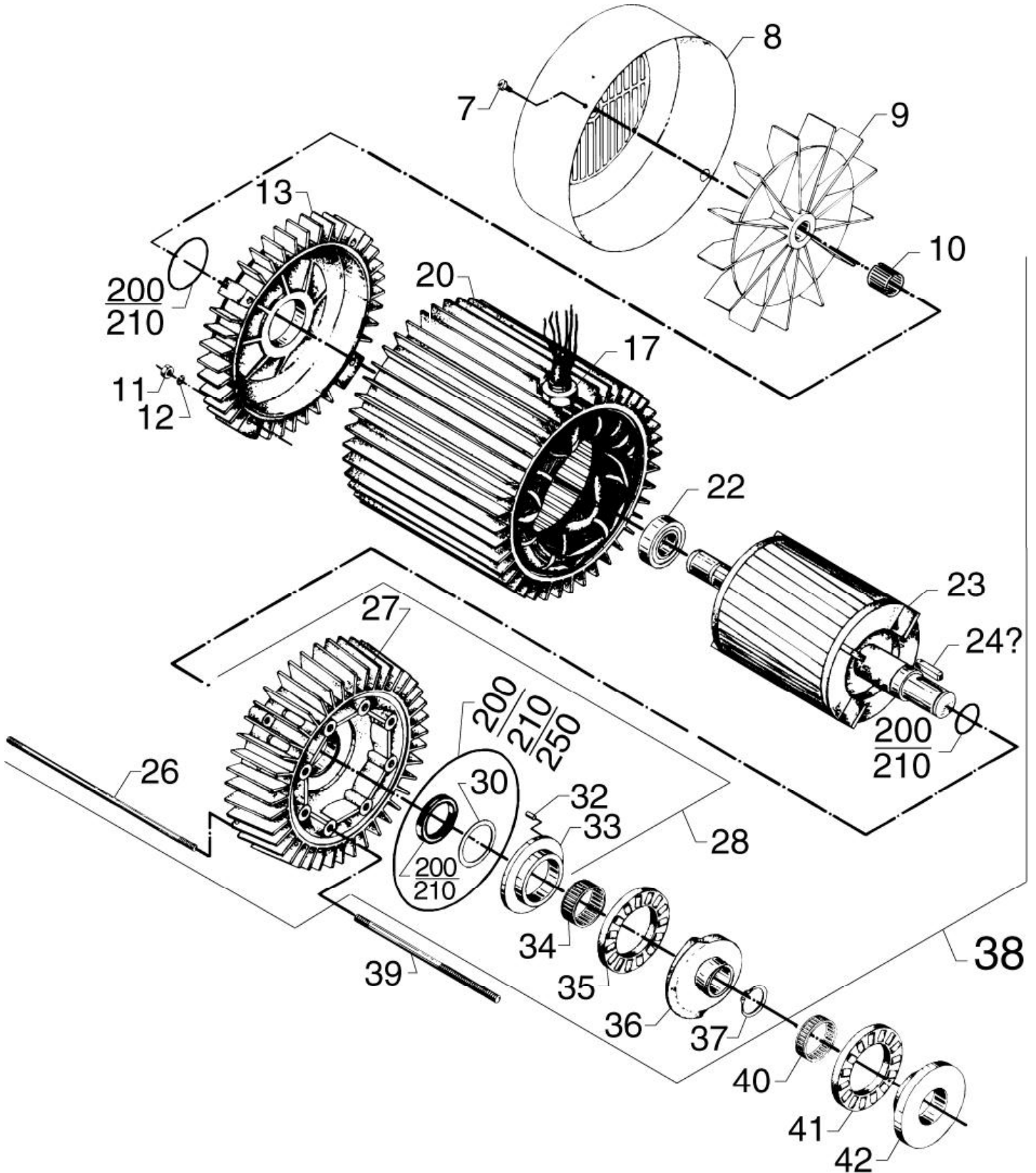
POSEIDON 8 / HIGH FLOW

13-04-2009

Part List ID
POSEIDON82

5

Pos	Part no.	Qty	Description		EAN
46	4809142	1	STEERABLE WHEEL		5701715270
47	3802212	1	BRACKET		5701715040
48	3800802	1	LOCK NUT		5701715040
49	4814105	4	CAP NUT		5701715270
50	107306033	1	EL.CABLE DUO 3X400V	3X400V	5701715295
50	4809173	1	EL-CABLE 4G10. 0 H07RN-F	3X230V	5701715270



Motor/pump 1

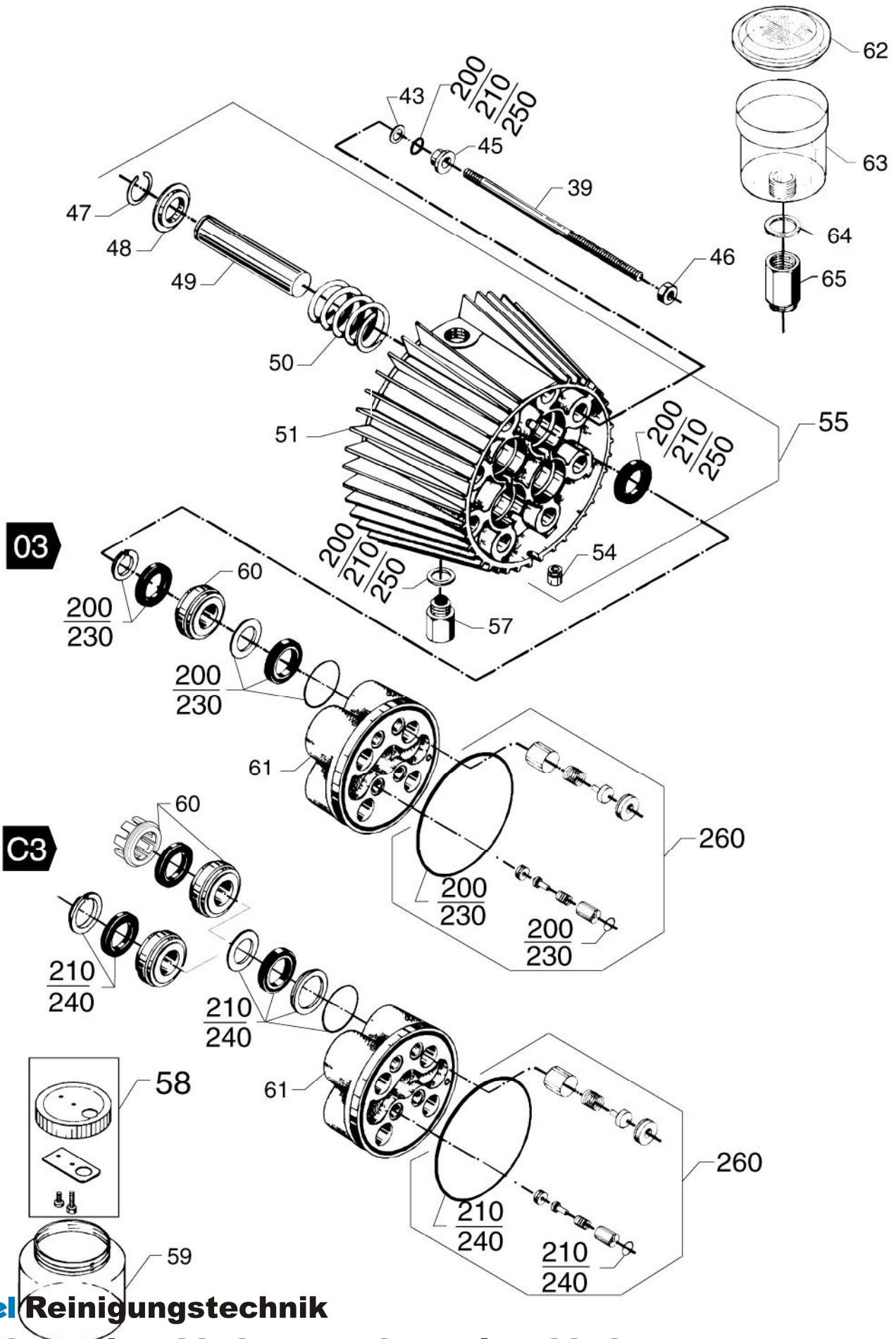
POSEIDON 8 / HIGH FLOW

13-04-2009

Part List ID
POSEIDON804

7

Pos	Part no.	Qty	Description	EAN
7	1803956	2	SCREW M4X12	5701715028
8	6100609	1	COVER F. FAN	5701715063
9	6100607	1	FAN W. SCREW	5701715121
10	1802503	1	LOCK RING	5701715013
11	1803725	4	HEXAGON NUT M8	5701715028
12	1801182	4	SPRING WASHER M8	5701715027
13	6100611	1	REAR BEARING COVER	5701715063
17	4809147	1	NIPPLE 3/4 PG16	5701715270
20	4809155	1	STATOR W. STATOR HOUSING	5701715270
22	3200623	1	REAR BEARING	5701715039
23	6101002	1	SHAFT W. 130 MM ROTOR	5701715374
24	3200672	1	KEY 6X6X32	5701715039
26	6100711	4	STAY BOLT L261MM	5701715063
27	6101749	1	FRONT BEARING COVER	5701715064
28	6101750	1	FRONT BEARING COVER COMP.	5701715064
30	6100995	1	WASHER	5701715063
32	6100996	1	GUIDE PIN	5701715063
33	107120703	1	BEARING TRACK	5701715296
34	3200656	1	NEEDLE BEARING INA K 40X46X17	5701715039
35	3200615	1	AXIAL ROLLER BEARING	5701715039
36	107120710	1	WOBBLE DISC 6	DISC 6, USA 5701715295
36	107120716	1	WOBBLE DISC 12	DISC 12 5701715295
37	1802511	1	SEEGER CIRCLIP RING	5701715027
38	4809160	1	MOTOR COMPL. 6.5KW 50HZ	5701715270
39	6100710	1	STAY BOLT	5701715063
39	6301368	8	STUDS	C3 5701715092
40	3200664	1	NEEDLE BEARING	5701715039
41	3200615	1	AXIAL ROLLER BEARING	5701715039
42	107120704	1	BEARING TRACK	5701715296
200	1119567	1	GASKETS REP.KIT	5701715020
210	1119570	1	GASKETS C3 REP.KIT	C3 5701715020
250	1119820	1	OIL SEAL 03/C3 REP.KIT	5701715115



Motor/pump 2

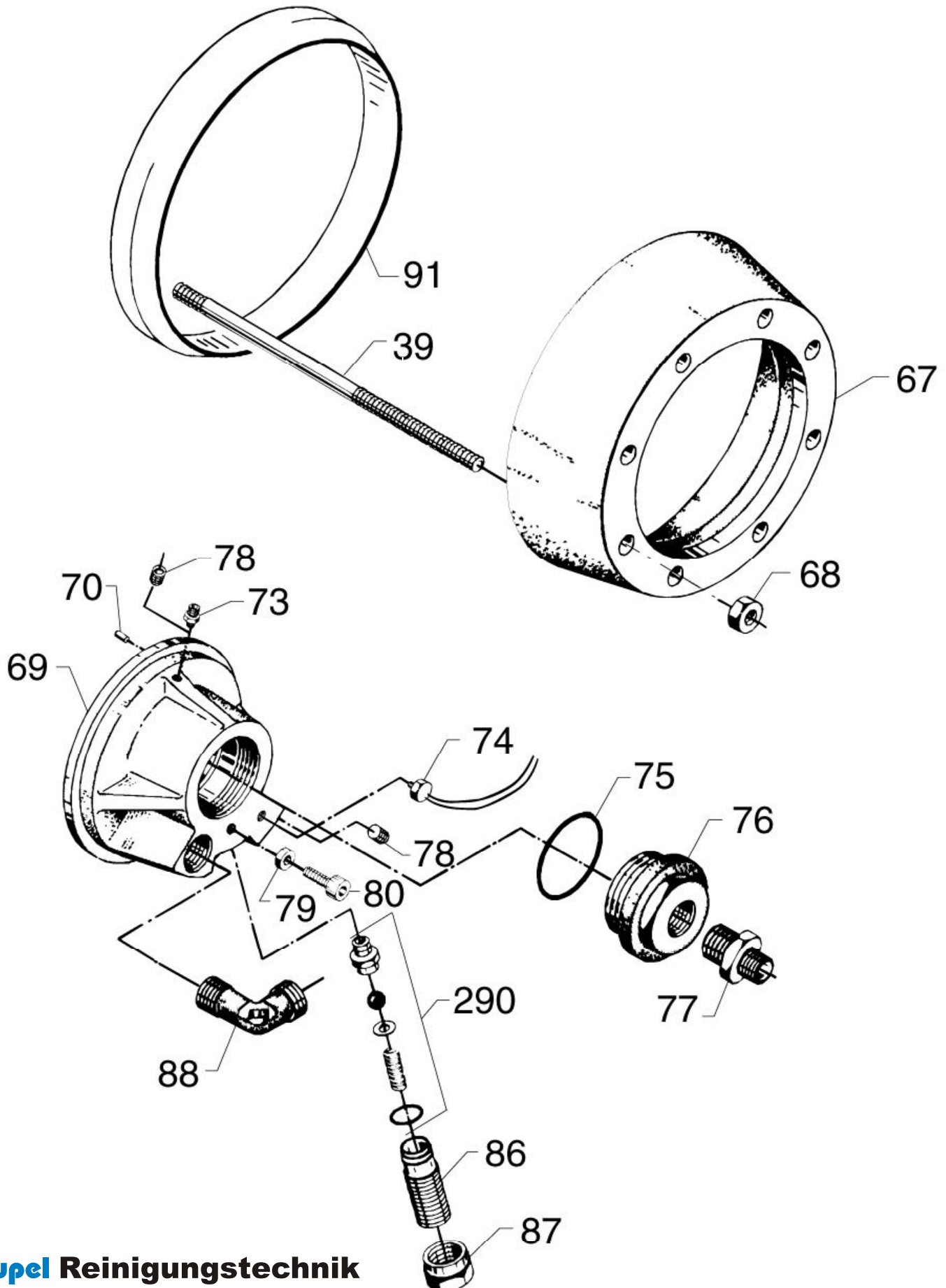
POSEIDON 8 / HIGH FLOW

13-04-2009

Part List ID
POSEIDON806

9

Pos	Part no.	Qty	Description	EAN
-	5301424	1	PUMP OIL 100 1 1L	5701715001
43	6100718	8	WASHER 10X16X1	5701715063
45	6100719	8	THRUST COLLAR	5701715063
46	1800465	8	NUT M10	5701715026
47	1802529	4	CIRCLIP	5701715027
48	6100666	4	RING F. RETURN SPRING	5701715008
49	6100901	4	PISTON	03 5701715005
49	6301166	4	CERAMIC PISTON C3	C3 5701715091
50	102602517	4	RETURN SPRING C3	C3 5701715317
50	2602274	4	RETURN SPRING C3	03 5701715035
51	6100610	1	CYLINDER BLOCK	5701715063
54	6100919	1	DRIP NOZZLE	5701715063
55	6101702	1	CYLINDERBLOCK	03 5701715064
55	6300071	1	CYLINDER BLOCK COMP.	C3 5701715088
57	6150400	1	DRAIN PLUG	5701715074
58	6101625	1	COVER F. SLUDGE CONTAINER	5701715064
59	2200467	1	SLUDGE CONTAINER	5701715014
60	107120700	4	THRUST COLLAR BACK-UP RING	5701715296
60	6100631	4	THRUST COLLAR	5701715063
61	107120701	1	CYLINDER HEAD	C3 5701715418
61	6100907	1	HEAD CYLINDER	5701715063
62	2201854	1	COVER F. OIL RESERVOIR	5701715034
63	2200285	1	OIL CONTAINER	5701715034
64	3000361	1	GASKET Ø27XØ21X1.5	5701715037
65	6160610	1	SOCKET FOR OILGLASS	5701715075
200	1119567	1	GASKETS REP.KIT	03 5701715020
210	1119570	1	GASKETS C3 REP.KIT	C3 5701715020
230	1119035	1	GASKETS REDUCED REP.KIT	03 5701715019
240	1119571	1	GASKETS REDUCED REP.KIT	C3 5701715020
250	1119820	1	OIL SEAL 03/C3 REP.KIT	5701715115
260	1119310	1	VALVE SET 4X O2/A2/O3	5701715020



Motor/pump 3

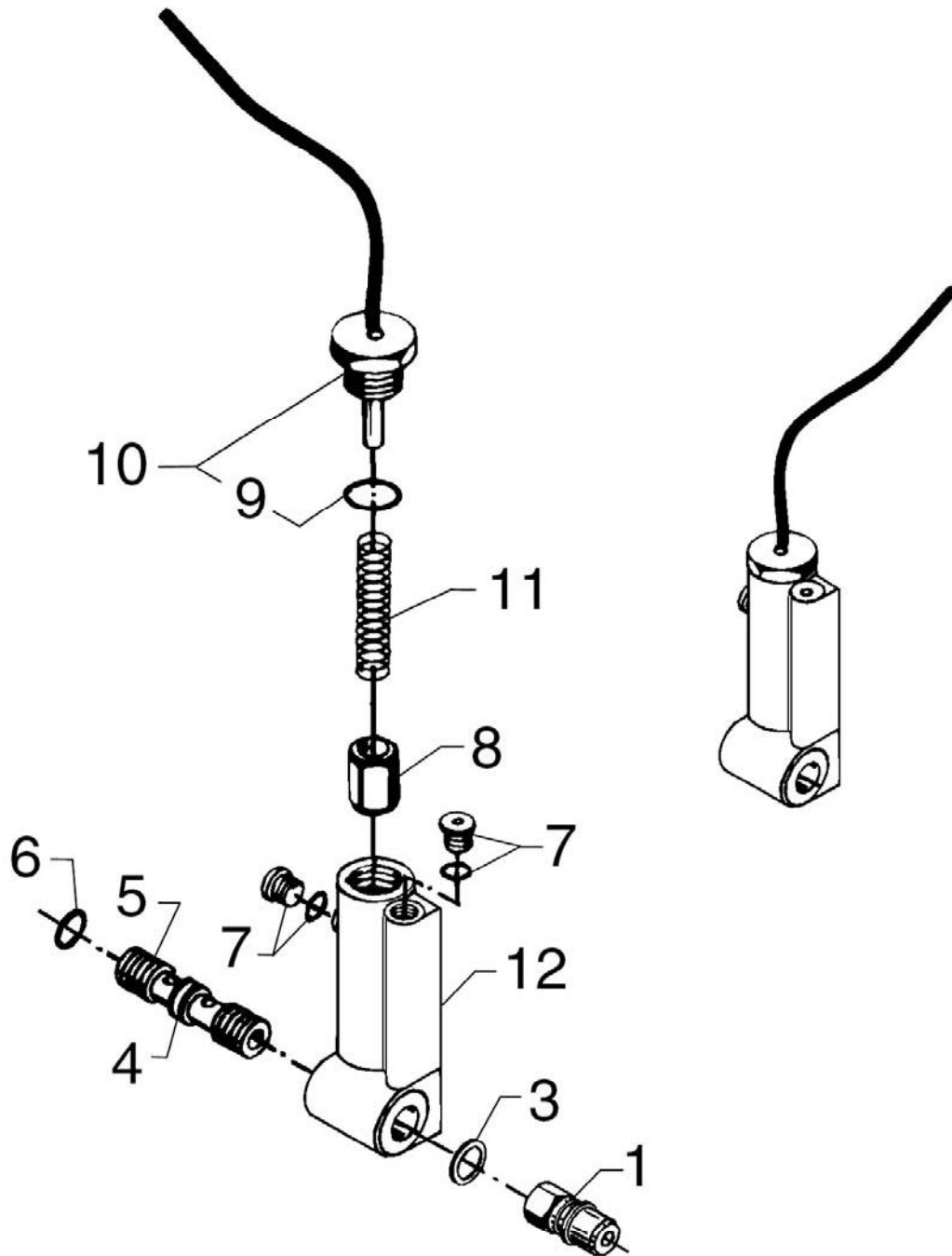
POSEIDON 8 / HIGH FLOW

13-04-2009

Part List ID
POSEIDON808

11

Pos	Part no.	Qty	Description	EAN
67	6100602	1	RETAINING RING	5701715008
68	1800465	8	NUT M10	5701715026
69	4809227	1	VALVE COVER	5701715270
70	6100996	1	GUIDE PIN	5701715063
73	1602606	1	THREADED CONNECTION 1/8 INCH	5701715024
74	4814091	2	THERMOSTAT 70DGC 1150MM	5701715270
75	3001096	1	O-RING 32.5X3.0	5701715037
76	7302024	1	PLUG	5701715120
77	1601079	1	THREADED CONNECTION	5701715024
78	1602333	1	PLUG 1/8	5701715024
			12 PCS. - II 1 PIECE	
79	6100985	1	LOCK WASHER	5701715063
80	1802636	1	SCREW M6X12	5701715028
86	6100940	1	ADJUSTMENT SCREW	5701715063
87	6100928	1	LOCK NUT	5701715063
88	4808150	1	ELBOW 1/2 X Ø 15	5701715270
91	6301392	1	RING FOR MOTOR-PUMP	5701715092
290	1118512	1	SAFETY VALVE REP.KIT	5701715019



Flow switch

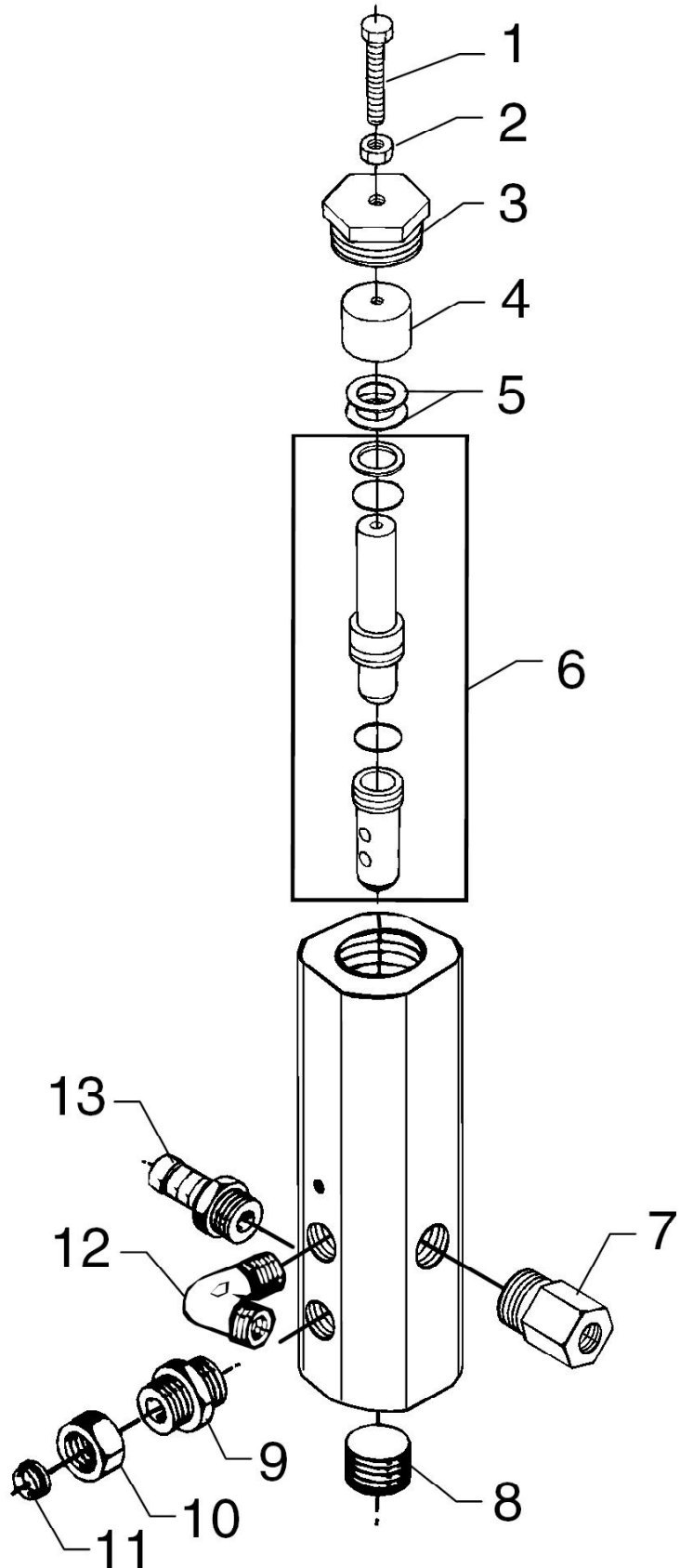
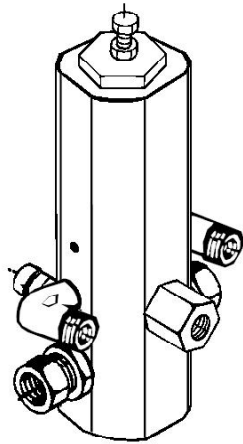
POSEIDON 8 / HIGH FLOW

13-04-2009

Part List ID
POSEIDON810

13

Pos	Part no.	Qty	Description	EAN
-	4809156	1	FLOW SWITCH COMPL.	5701715270
1	1600493	1	ERGO COUPLING MALE 3/8	5701715023
1	1603101	1	ERGO COUPLING MALE S.S 3/8	5701715024
3	1801075	1	PACKING RING Ø 23,8X Ø 17,2	5701715027
4	4809399	1	SUPPORTING PIPE	5701715270
5	3001682	1	O-RING 12.3X2.4	5701715038
6	3001252	1	O-RING 13,6 X 2,4 SMS	5701715037
7	6180913	2	HOLE PLUG W. O-RING	5701715077
8	107302069	1	PISTON COMPL.	5701715298
9	3000825	1	O-RING 20.24X2.62 NITRIL 70SH	5701715037
10	6221773	1	REED SWITCH WITH O-RING	5701715116
11	4814112	1	SPRING 1X13X43	5701715270
12	6401825	1	HOUSING F. FLOW SWITCH	5701715100



Overflow valve

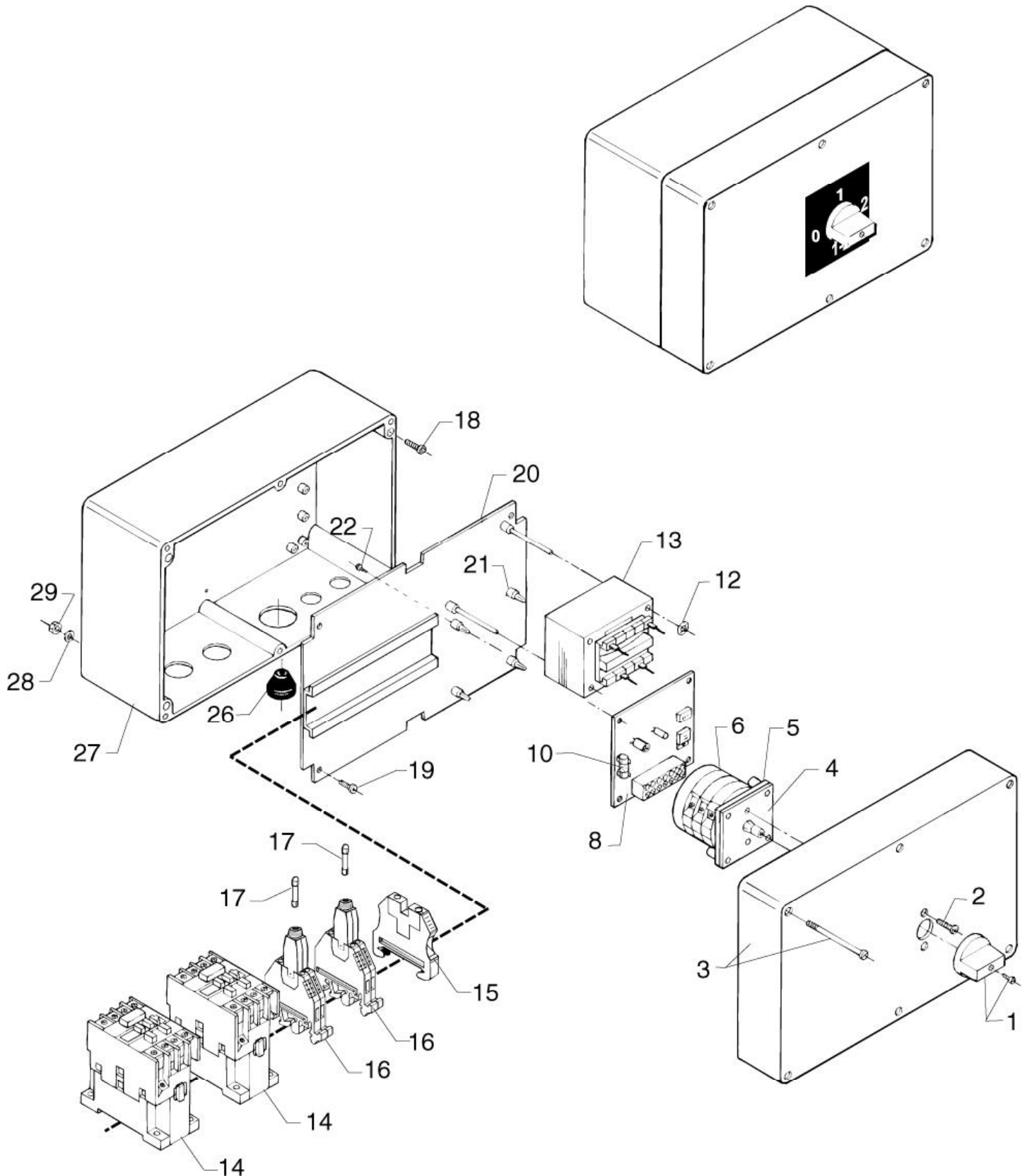
POSEIDON 8 / HIGH FLOW

13-04-2009

Part List ID
POSEIDON812

15

Pos	Part no.	Qty	Description	EAN
-	4809165	1	OVERFLOW VALVE COMPL.	5701715270
1	1800622	1	SCREW	5701715026
2	1803725	1	HEXAGON NUT M8	5701715028
3	6300269	1	NUT	5701715089
4	6300268	1	THRUST PLATE	5701715089
5	2600328	22	SPRING WASHER	5701715035
6	1119031	1	BY-PASS VALVE REP.KIT	5701715019
7	4809108	1	SCREWED CONNECTION	5701715270
8	1603325	1	PLUG 1/2 INCH	5701715024
9	4808845	2	THREADED CONNECTION	5701715270
10	1081	2	UNION NUT L 12	4005337010
11	1080	2	RING L 12	4005337010
12	1600444	2	ANGLE Ø12 X 3/8	5701715023



Electric parts

POSEIDON 8 / HIGH FLOW

13-04-2009

Part List ID
POSEIDON814

17

Pos	Part no.	Qty	Description	EAN
1	3804432	1	BALKAN BUTTON, GREY	5701715041
2	1802685	2	SCREW M4X20	5701715028
3	6303255	1	COVER F. CONNECTION BOX	5701715093
4	6101009	1	GASKET	5701715063
5	3804580	1	TOP PLATE	5701715041
6	3821182	1	SWITCH	5701715044
8	6420014	1	CIRCUIT BOARD AUTO. START/STOP	5701715012
10	103821729	1	FUSE Ø5X20 2A T 250V	Ø5X20, 2A T 5701715318
10	3802246	1	FUSE 1.6A 250V	1,6 AT 5701715040
12	1814433	2	CIRCLIP	5701715115
13	3821148	1	STEERING TRANSFORMER 24V/220V	24V/220V 5701715007
13	3821149	1	STEERING TRANSFORMER 24V/	24V/380V 5701715007
13	3821151	1	STEERING TRANSFORMER 24AT	24V/440V (USA) 5701715007
14	63912	2	CONTACTOR 100-C30 24V/50-60H	30A 24V, 50/60 HZ 4005337639
15	4812191	1	TERMINAL SCREW EARTH	5701715270
16	3808003	2	TERMINAL STRIP F. FUSE HOUSING	5701715115
17	3819521	2	FUSE Ø5X25	5701715043
18	4814102	4	SCREW	5701715270
19	1800481	4	SCREW M4X16	5701715026
20	6303253	1	EL. MOUNTING PLATE	5701715093
21	4600771	4	DISTANCE PIECE	5701715046
22	1813823	4	SCREW 3,5X8	5701715115
26	3803780	4	GROMMET 10-14C	5701715007
27	4809120	1	BOX ELECTRONIC HIGH-FLOW	5701715270
28	1814458	8	FIBER WASHER	5701715115
29	1800127	4	LOCK NUT M4	5701715026
14A	3821748	1	AUXILIARY SWITCH AB 100-SB10	5701715319

Default accessories

POSEIDON 8 / HIGH FLOW

13-04-2009

Part List ID
POSEIDON816

18

No Drawing For Part List

Default accessories

POSEIDON 8 / HIGH FLOW

13-04-2009

Part List ID
POSEIDON816

19

Pos	Part no.	Qty	Description	EAN
1	101119499	1	HIGH PRESSURE COUPLINGS KIT	5701715294
1	101119760	1	NOZZLE 1300 INDICATION RING BROWN	5701715324
1	106402120	1	TORNADO 3000 LANCE 1040 W/O NOZZLE	5701715324
1	1117597	1	SPRAY HANDL.PRES.REL.W. SWIVEL	5701715018
1	4809131	1	TWO USER DISTRIBUTOR	5701715252
1	4810211	1	50 M 2 WIRE HP Ø 1/2 DN12	5701715253
1	4810212	1	5 M 2 WIRE HOSE Ø 1/2 DN12	5701715253
1	4810213	1	15 M 2 WIRE HOSE Ø 1/2 DN12	5701715253
1	4810214	1	20 M 2 WIRE HOSE Ø 1/2 DN12	5701715253
1	4810217	1	30 M 2 WIRE HP Ø 1/2 DN12	5701715253
1	4810219	1	10 M 2 WIRE HOSE Ø 1/2 DN12	5701715253