

FLOORTEC 560P

Model:
FLOORTEC 560 P



heupel Reinigungstechnik GmbH

Gottlieb Daimler Str. 6
88214 Ravensburg

email: info@heupel-gmbh.de
www.heupel-gmbh.de

Tel: (049) 0751 - 35905-3
Fax: (049) 0751 - 35905-59

Shop: www.heupel-shop.de

Heupel - Reinigungstechnik - Beratung, Verkauf, Service, alles aus einer Hand.

Nilfisk ALTO

Why Compromise

www.nilfisk-alto.com

Table of Contents

FLOORTEC 560P

Chassis	3
Main broom	5
Side broom	7
Wheels	9
Hopper system	11
Petrol engine	13
Transmission	15
Belt tension assembly	17
Reduction motor	19
Dust control	22
Handle	24
Control panel	26
Hub assembly	28
Decals	30

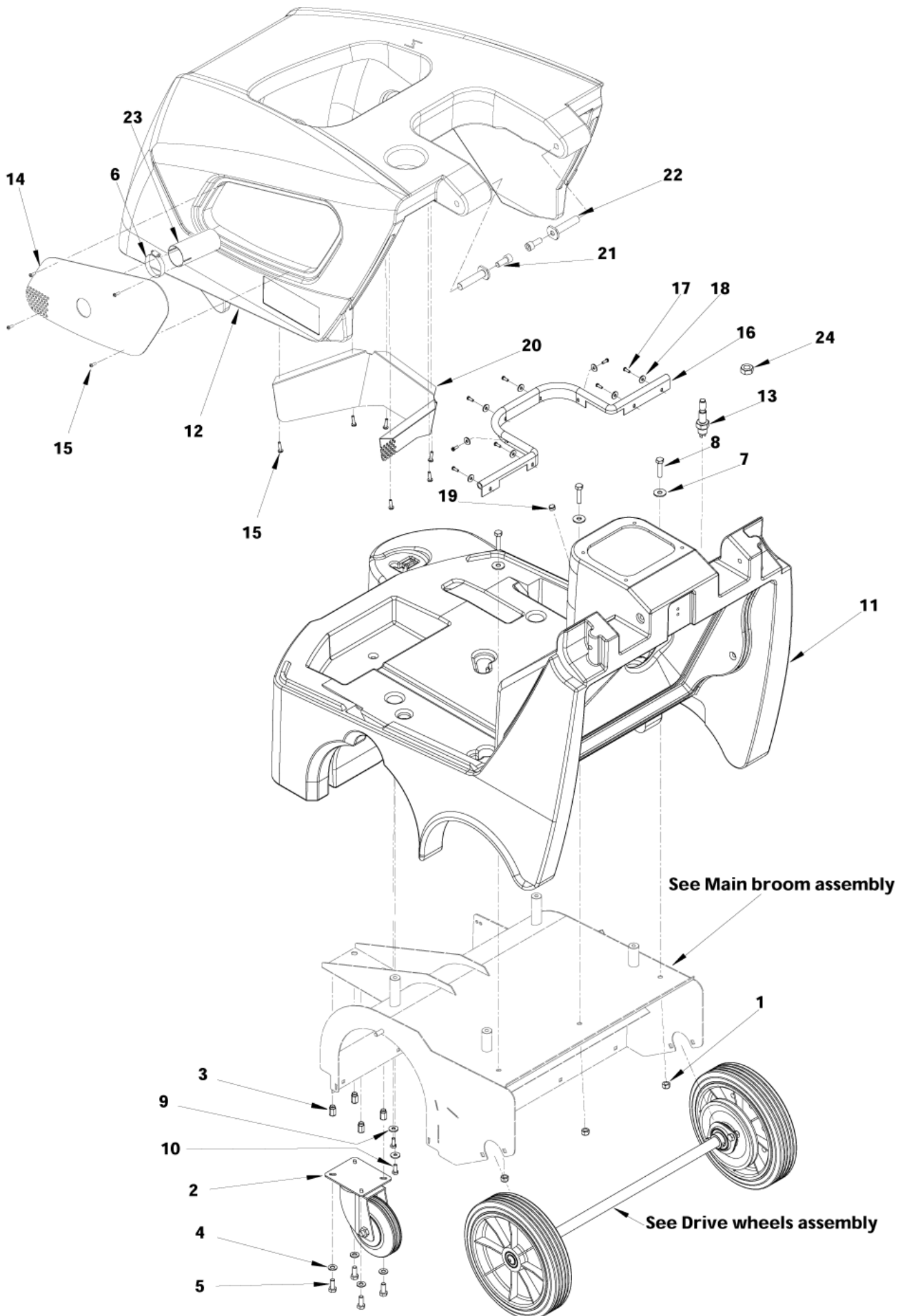
Chassis

FLOORTEC 560P

10-07-2009

Part List ID
FLOORTEC560P02

3



Chassis

FLOORTEC 560P

10-07-2009

Part List ID
FLOORTEC560P02

4

Pos	Part no.	Qty	Description	EAN
1	33005607	3	NUT SELF L. M8 UNI7474	5711140066
2	145 5115 000	1	CASTOR	5711140027
2	146 0569 000	1	WHEEL, CASTOR WITH BRAKE	5715492038
3	145 6133 000	4	INSERT M8	5711140031
4	33005915	4	WASHER M8 UNI6592	5711140067
5	33005444	4	SCREW M8X20 UNI5739 GALVANIZED	5711140065
6	146 0771 000	1	CLAMP	5711140033
7	L08300000	3	WASHER 8X24 UNI6592	5711140012
8	33003997	3	SCREW M8X35 UNI5739	5711140062
9	L08228600	2	WASHER 6X18 UNI6592	5711140012
10	33003974	2	SCREW M6X16 UNI5739	5711140062
11	146 2343 000	1	CHASSIS ROTOMOLDED	5711140044
12	146 2354 000	1	HOOD ROTOMOLDED.PETROL	5711140044
13	146 0680 000	1	SWITCH.HOOD SAFETY	5711140033
14	146 0688 000	1	GRATE OUTLET	5711140033
15	L08812590	10	SCREW 4.5X19 THD FORM	5711140018
16	146 0733 000	1	GASKET	5711140033
17	146 0669 000	8	SCREW 4X12	5711140033
18	145 1261 000	8	WASHER 5X15X1.5 UNI6593	5711140022
19	145 4260 000	1	CAP D.14.7	5711140011
20	146 0768 000	1	GRATE	5711140033
21	33004387	2	SCREW M10X25 UNI5931	5711140064
22	146 0774 000	2	SPACER	5711140033
23	146 0773 000	1	PIPE	5711140033
24	146 0637 000	1	NUT HEX M14 UNI5589	5711140033

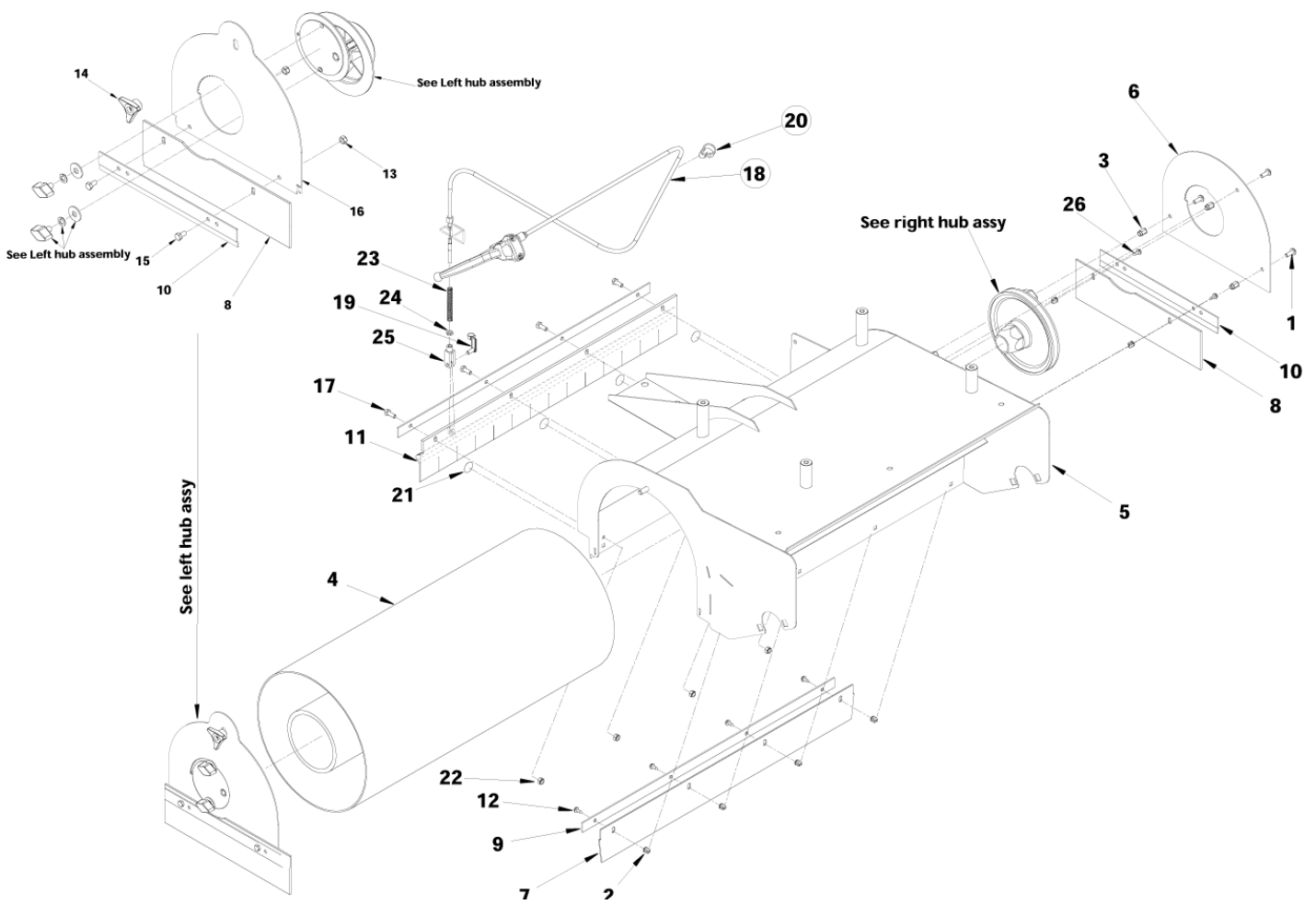
Main broom

FLOORTEC 560P

10-07-2009

Part List ID
FLOORTEC560P04

5



Main broom

FLOORTEC 560P

10-07-2009

Part List ID
FLOORTEC560P04

6

Pos	Part no.	Qty	Description	EAN
1	L08812095	3	SCREW M6X16 UNI7687	5711140017
2	145 4652 000	10	SCREW NUT	5711140025
3	145 4772 000	3	INSERT M6	5711140026
4	146 0748 000	1	BROOM MAIN D.265X600 PPL 0,7	5715492038
4	146 0749 000	1	BROOM MAIN D.265X600 NATURAL FIBRE	5715492038
4	146 0750 000	1	BROOM MAIN D.265X600 STEEL MIX	5715492038
5	146 0729 000	1	SUPPORT.MAIN BROOM	5711140033
6	146 2329 000	1	HATCH RIGHT MAIN BROOM	5711140043
7	146 0738 000	1	SKIRT REAR	5711140033
7	146 0743 000	1	SKIRT REAR NON MARKING	5715492038
8	146 0555 000	2	SKIRT SIDE	5711140032
8	146 0587 000	2	SKIRT SIDE NON MARKING	5715492038
9	146 2344 000	2	PLATE.FRONT SKIRT	5711140044
10	146 2331 000	2	PLATE SIDE SKIRT	5711140043
11	146 0742 000	2	SKIRT FRONT NON MARKING	5711140033
11	146 0756 000	1	SKIRT FRONT SOFT	5711140033
12	146 0633 000	5	SCREW 3.9X13	5711140033
13	L08603682	2	NUT SELF L. M6 UNI7474	5711140015
14	145 5035 000	1	KNOB M8	5711140012
15	33003972	2	SCREW M6X12 UNI5739	5711140062
16	146 2326 000	1	HATCH LEFT MAIN BROOM	5711140043
17	33003974	4	SCREW M6X16 UNI5739	5711140062
18	146 2310 000	1	CABLE	5711140043
19	145 9410 000	1	CIRCLIP M6	5711140023
20	146 0763 000	2	FIXING CABLE	5711140033
21	146 0772 000	4	DECAL ROUND	5711140033
22	33005604	4	NUT SELF L. M6 UNI7474	5711140066
23	145 1935 000	1	SPRING	5711140025
24	33005531	1	NUT HEX M6 UNI5589	5711140066
25	145 9409 000	1	FORK M6	5711140023
26	146 2085 000	1	SCREW 3.9X13	5711140042

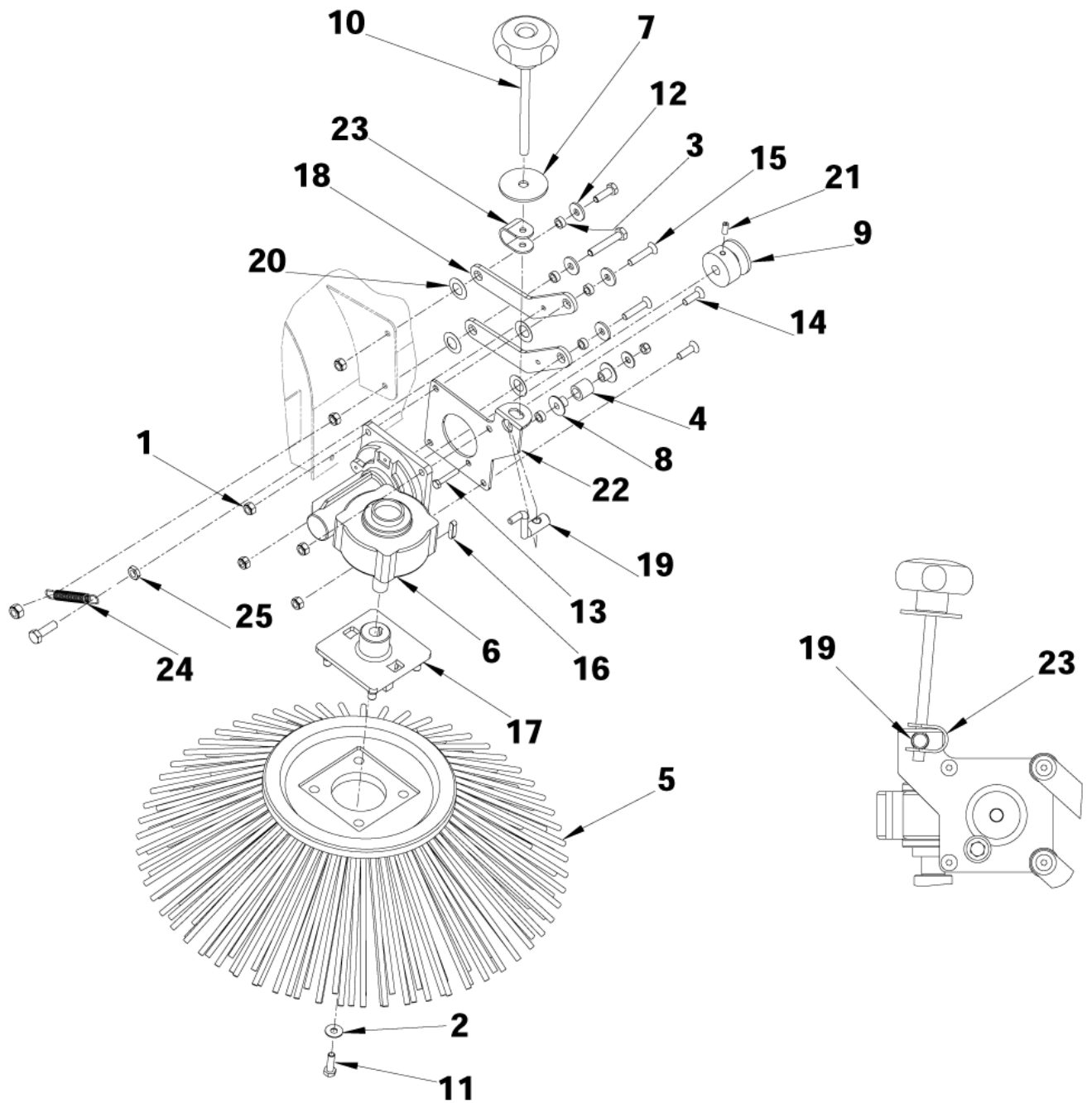
Side broom

FLOORTEC 560P

10-07-2009

Part List ID
FLOORTEC560P06

7



Side broom

FLOORTEC 560P

10-07-2009

Part List ID
FLOORTEC560P06

8

Pos	Part no.	Qty	Description	EAN
1	33005604	9	NUT SELF L. M6 UNI7474	5711140066
2	146 0250 000	1	WASHER 6.4X16.3X1 UNI1739	5711140022
3	145 1252 000	4	SPACER 6.5X10X5	5711140004
4	145 1751 000	1	SPACER D.10.5XD.15X15	5711140004
5	145 1899 000	1	BROOM SIDE 180X420 PPL 0,8	5715492038
5	145 4959 000	1	BROOM SIDE 180X420 STEEL MIX	5715492038
5	145 4976 000	1	BROOM SIDE 180X420 NATURAL FIBRE	5715492038
5	146 0678 000	1	BRUSH SIDE 180X347 NYLON	5715492038
6	145 2324 000	1	GEAR RIGHT	5711140001
7	146 1488 000	1	WASHER 9X45X3 UNI6592	5711140039
8	145 4744 000	2	SPACER D.6.3XD.20X10	5711140026
9	145 5470 000	1	PULLEY GEAR CONTROL	5711140028
10	145 8455 000	1	KNOB M8X112	5711140012
11	33003975	3	SCREW M6X20 UNI5739	5711140062
12	L08228600	4	WASHER 6X18 UNI6592	5711140012
13	33003978	2	SCREW M6X35 UNI5739	5711140062
14	33004578	2	SCREW M6X20 UNI5933	5711140064
15	33004580	2	SCREW M6X30 UNI5933	5711140064
16	145 9774 000	1	KEY 5X5X20 UNI6604A	5711140023
17	146 0402 000	1	FLANGE BROOM HOLDING	5711140032
18	146 0558 000	2	ARM SIDE BROOM	5711140032
19	146 0560 000	1	HOOK SIDE BROOM	5711140032
20	146 0617 000	4	BELLEVILLE WASHER	5711140033
21	146 0622 000	1	SCREW GRUB M5X12 UNI5929	5711140033
22	146 0703 000	1	PLATE	5711140033
23	146 0712 000	1	CLAMP	5711140033
24	145 0274 000	1	SPRING	5711140004
25	33005531	1	NUT HEX M6 UNI5589	5711140066

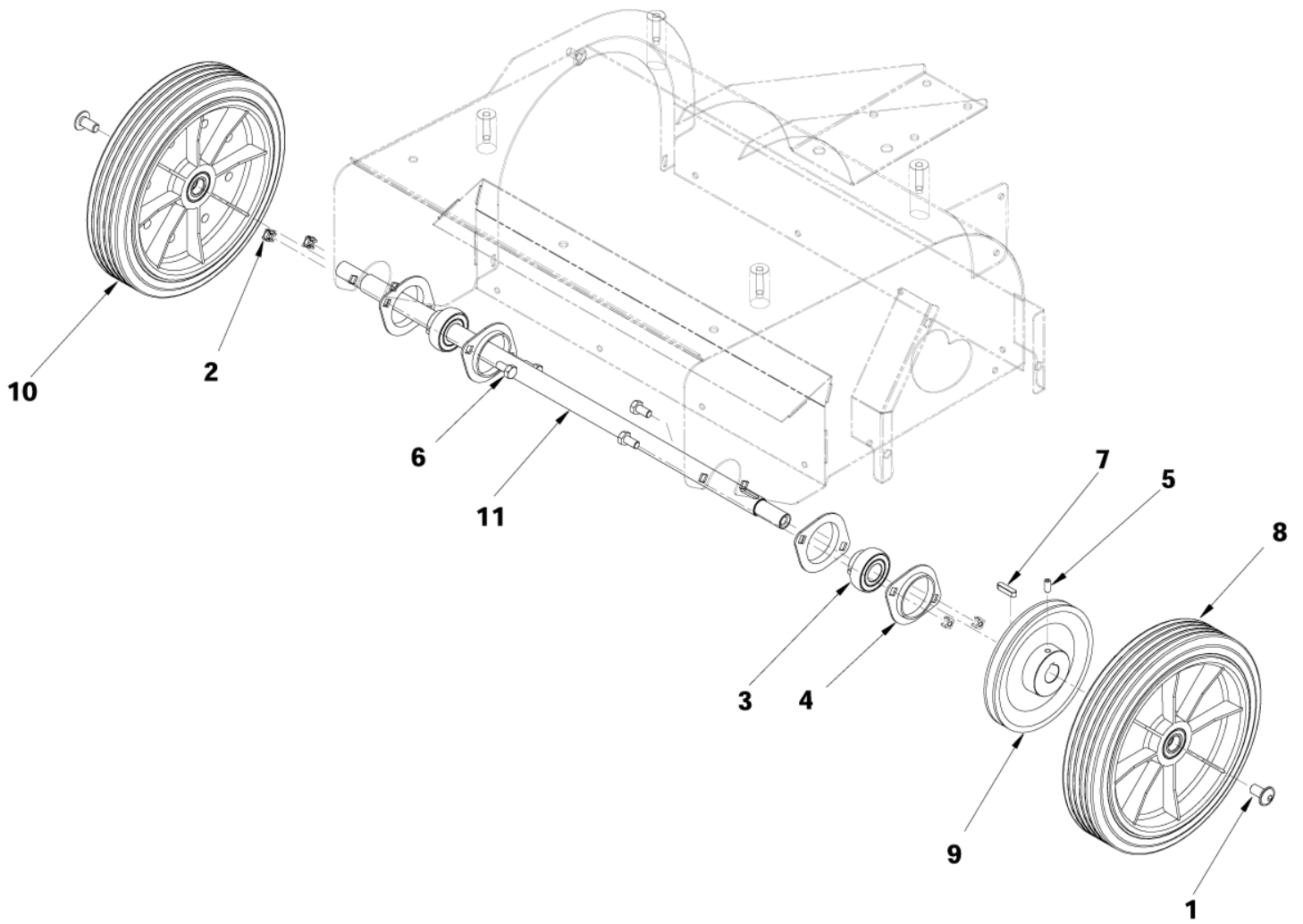
Wheels

FLOORTEC 560P

10-07-2009

Part List ID
FLOORTEC560P08

9



Wheels

FLOORTEC 560P

10-07-2009

Part List ID
FLOORTEC560P08

10

Pos	Part no.	Qty	Description	EAN
1	146 0582 000	2	SCREW M10X20 ISO7380FLA	5711140033
2	145 1224 000	2	NUT M 8 WURTH03818	5711140022
3	145 1123 000	2	BALL BEARING YAT204	5711140002
4	145 8543 000	2	SUPPORT	5711140001
5	146 0640 000	1	SCREW GRUB M6X14 UNI5929	5711140033
6	33003993	4	SCREW M8X16 UNI5739	5711140062
7	145 9899 000	1	KEY 6X6X25 UNI6604A	5711140023
8	146 0513 000	1	WHEEL RIGHT	5711140032
9	146 0517 000	1	PULLEY D.140	5711140032
10	146 0518 000	1	WHEEL LEFT	5711140032
11	146 0732 000	1	SHAFT	5711140033

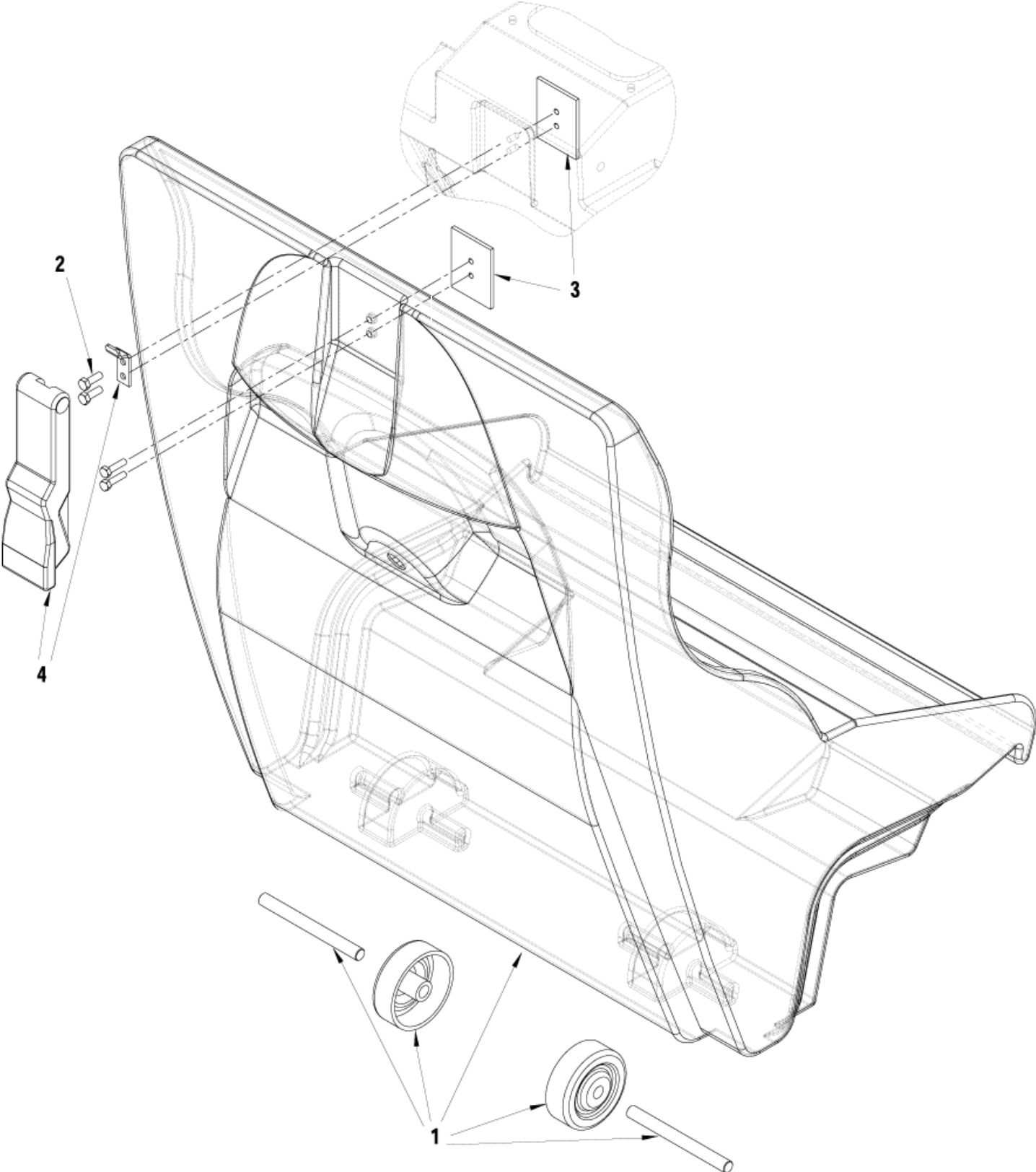
Hopper system

FLOORTEC 560P

10-07-2009

Part List ID
FLOORTEC560P10

11



Hopper system

FLOORTEC 560P

10-07-2009

Part List ID
FLOORTEC560P10

12

Pos	Part no.	Qty	Description	EAN
1	146 2345 000	1	CONTAINER DIRT ROTOMOLDED	5711140044
2	33003963	4	SCREW M5X20 UN15739	5711140061
3	146 0562 000	2	PLATE	5711140032
4	146 0520 000	1	HOOK RUBBER	5711140032

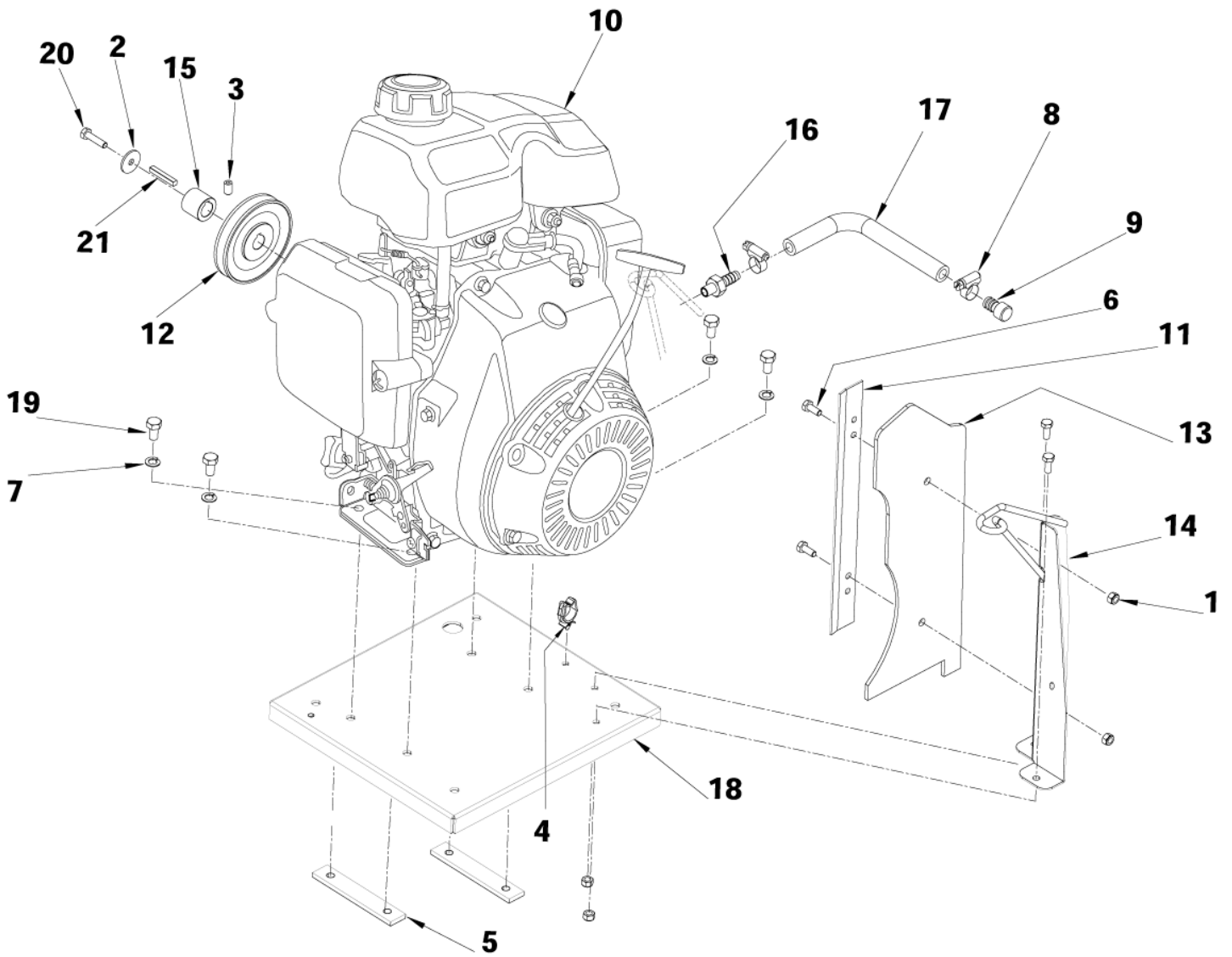
Petrol engine

FLOORTEC 560P

10-07-2009

Part List ID
FLOORTEC560P12

13



Petrol engine

FLOORTEC 560P

10-07-2009

Part List ID
FLOORTEC560P12

14

Pos	Part no.	Qty	Description	EAN
0	146 0822 000	1	PLUG.SPARK	5711140034
0	146 0823 000	1	FILTER.AIR	5711140034
0	146 0824 000	1	PRE-FILTER AIR	5711140034
1	33005604	4	NUT SELF L. M6 UNI7474	5711140066
2	145 0493 000	1	WASHER 6.4X24X1.5 UNI6593	5711140022
3	145 1228 000	1	SCREW GRUB M6X10 UNI5929	5711140022
4	146 0987 000	1	CLAMP	5711140035
5	145 1293 000	2	PLATE. ENGINE FIXING	5711140007
6	33003974	4	SCREW M6X16 UNI5739	5711140062
7	33005842	4	WASHER M8 UNI1751B	5711140067
8	145 8582 000	2	CLAMP 8/ 9-16	5711140023
9	145 9220 000	1	CAP D.10-17	5711140020
10	146 0827 000	1	ENGINE PETROL 3HP	5711140034
11	146 2331 000	1	PLATE SIDE SKIRT	5711140043
12	146 0828 000	1	PULLEY D.85	5711140034
13	146 0684 000	1	PANEL RUBBER	5711140033
14	146 0685 000	1	SUPPORT	5711140033
15	146 0829 000	1	SPACER	5711140034
16	146 0691 000	1	HOLDER RUBBER M10X1.25	5711140033
17	146 0692 000	1	HOSE.OIL DRAIN	5711140033
18	146 2138 000	1	PLATE.ENGINE SUPPORT	5711140042
19	146 0700 000	4	SCREW M8X14 UNI5739	5711140033
20	33003975	1	SCREW M6X20 UNI5739	5711140062
21	146 0830 000	1	KEY 5X5X36 UNI6604A	5711140034

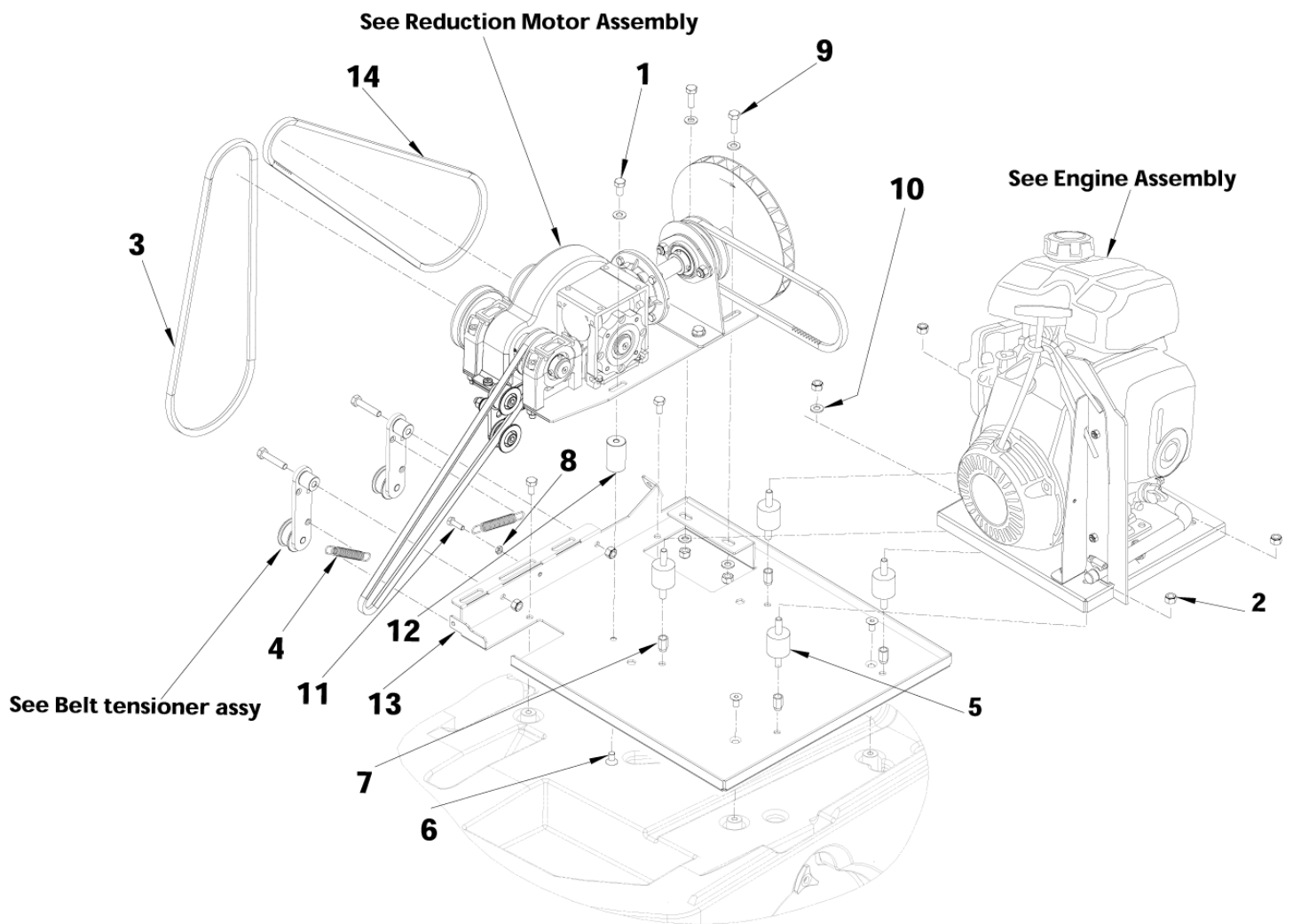
Transmission

FLOORTEC 560P

10-07-2009

Part List ID
FLOORTEC560P14

15



Transmission

FLOORTEC 560P

10-07-2009

Part List ID
FLOORTEC560P14

16

Pos	Part no.	Qty	Description	EAN
1	L08274300	3	SCREW M8X16 UNI5739	5711140012
2	33005607	6	NUT SELF L. M8 UNI7474	5711140066
3	146 0150 00	1	BELT	5711140031
4	145 0274 000	2	SPRING	5711140004
5	146 1318 000	4	VIBRATION DUMPING M8 SH45	5711140037
6	145 4487 000	3	SCREW M8X15 UNI5933	5711140021
7	145 6133 000	4	INSERT M8	5711140031
8	33005531	1	NUT HEX M6 UNI5589	5711140066
9	33005445	2	SCREW M8X25 UNI5739 GALVANIZED	5711140065
10	33005915	6	WASHER M8 UNI6592	5711140067
11	33003975	1	SCREW M6X20 UNI5739	5711140062
12	146 0515 000	1	SPACER	5711140032
13	146 0536 000	1	PLATE	5711140032
14	146 0767 000	1	BELT	5711140033

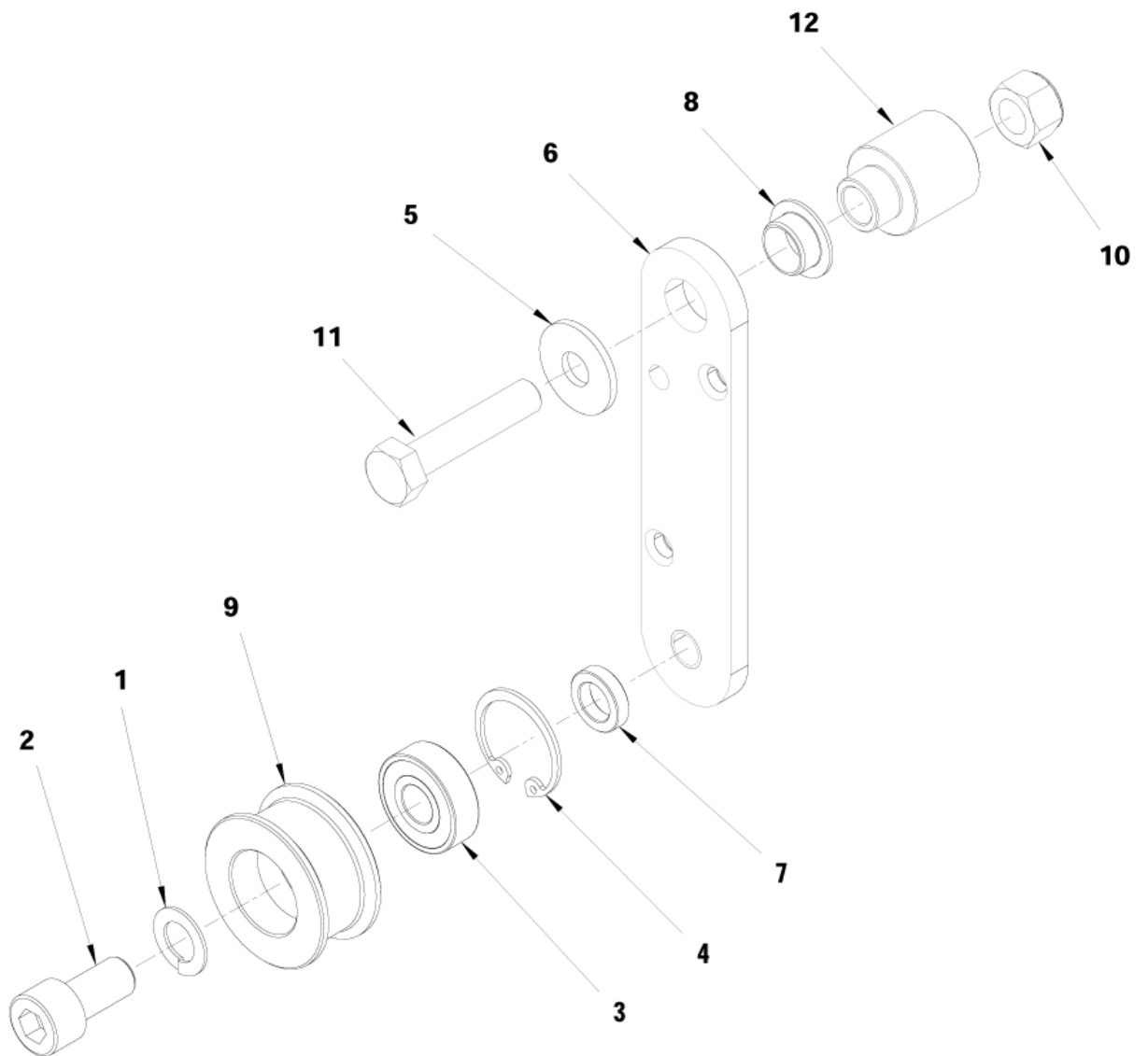
Belt tension assembly

FLOORTEC 560P

10-07-2009

Part List ID
FLOORTEC560P16

17



Belt tension assembly

FLOORTEC 560P

10-07-2009

Part List ID
FLOORTEC560P16

18

Pos	Part no.	Qty	Description	EAN
1	33005843	1	WASHER M10 UNI1751B	
2	145 5742 000	1	SCREW M10X20 UNI5931	5711140029
3	145 9186 000	1	BALL BEARING 6000 2RS	5711140002
4	33006156	1	RING D 26 UNI7437	5711140067
5	L08300000	1	WASHER 8X24 UNI6592	5711140012
6	146 0547 000	1	ARM BELT TENSIONER	5711140032
7	146 0548 000	1	SPACER 10.1X16X4	5711140032
8	146 0549 000	1	BUSH FLANGED	5711140032
9	146 0583 000	1	ROLLER BELT TENSIONER	5711140033
10	33005607	1	NUT SELF L. M8 UNI7474	5711140066
11	33003998	1	SCREW M8X40 UNI5739	5711140062
12	146 0550 000	1	BUSHING	5711140032

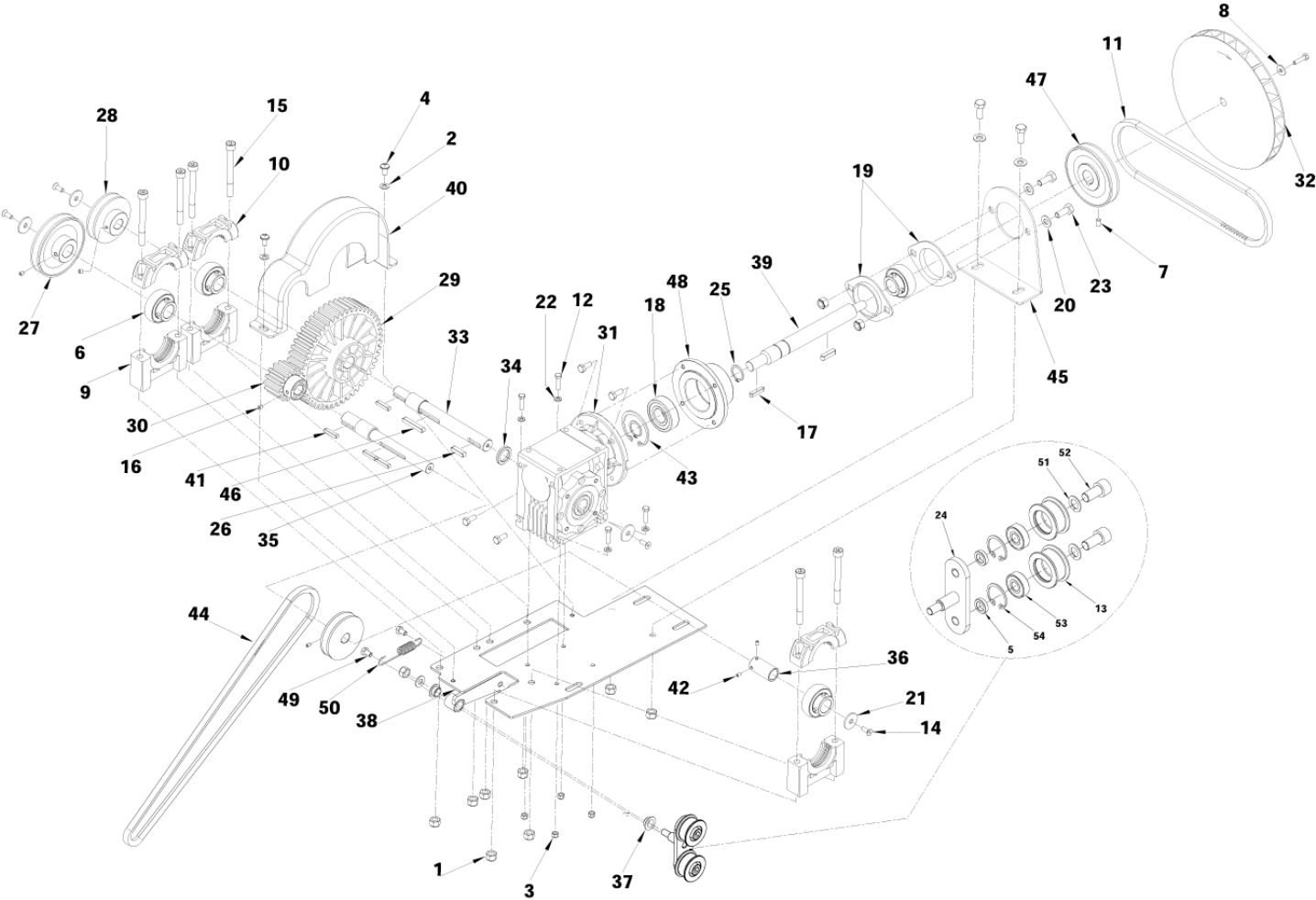
Reduction motor

FLOORTEC 560P

10-07-2009

Part List ID
FLOORTEC560P18

19



Reduction motor

FLOORTEC 560P

10-07-2009

Part List ID
FLOORTEC560P18

20

Pos	Part no.	Qty	Description	EAN
1	33005607	11	NUT SELF L. M8 UNI7474	5711140066
2	L08602395	2	WASHER FLAT 6X12,5	
3	33005603	4	NUT SELF L. M5 UNI7474	5711140066
4	L08603706	2	SCREW M6X12 UNI7687	5711140015
5	146 0548 000	2	SPACER 10.1X16X4	5711140032
6	145 1123 000	4	BALL BEARING YAT204	5711140002
7	145 1228 000	2	SCREW GRUB M6X10 UNI5929	5711140022
8	145 1261 000	1	WASHER 5X15X1.5 UNI6593	5711140022
9	145 1976 000	3	SUPPORT BEARING LOW	5711140025
10	145 1977 000	3	SUPPORT BEARING UPPER	5711140025
11	145 3853 000	1	BELT SPZX 710	5711140009
12	33003963	5	SCREW M5X20 UNI5739	5711140061
13	146 0583 000	2	ROLLER BELT TENSIONER	5711140033
14	33004562	4	SCREW M5X14 UNI5933	5711140064
15	145 5741 000	6	SCREW M8X80 UNI5931	5711140029
16	145 5913 000	3	SCREW GRUB M5X6 UNI5929	5711140030
17	145 8024 000	4	KEY 5X5X25 UNI6604A	5711140023
18	145 8134 000	1	BALL BEARING 6204 2RS	5711140002
19	145 8543 000	1	SUPPORT	5711140001
20	33005915	5	WASHER M8 UNI6592	5711140067
21	145 9129 000	4	WASHER 6X24X2 UNI6593	5711140022
22	33005912	4	WASHER M5 UNI6592	5711140067
23	33005444	4	SCREW M8X20 UNI5739 GALVANIZED	5711140065
24	146 1137 000	1	ARM.BELT TENSIONER	5711140036
25	33006059	2	RING D 20 UNI7435	5711140067
26	145 9899 000	2	KEY 6X6X25 UNI6604A	5711140023
27	146 0514 000	1	PULLEY D.85	5711140032
28	146 0516 000	2	PULLEY D.65	5711140032
29	146 0523 000	1	GEAR	5711140032
30	146 0524 000	1	GEAR	5711140032
31	1463248000	1	REDUCTION GEAR COMPLETE 15 1	5711140049
32	146 0537 000	1	FAN	5711140032
33	146 0540 000	1	SHAFT TRANSMISSION	5711140032
34	146 0541 000	1	BUSHING	5711140032
35	146 0542 000	1	SHAFT MAIN BROOM	5711140032
36	146 0546 000	1	SPACER	5711140032
37	146 0549 000	2	BUSH FLANGED	5711140032
38	146 0563 000	1	PLATE	5711140032
39	146 1176 000	1	SHAFT REDUCTIONGEAR FAN	5711140036
40	146 0605 000	1	COVER	5711140033
41	146 0619 000	1	KEY 3/16X3/16X1	5711140033
42	146 0621 000	2	SCREW GRUB M4X 6 UNI5929	5711140033

Reduction motor

FLOORTEC 560P

10-07-2009

Part List ID
FLOORTEC560P18

21

Pos	Part no.	Qty	Description	EAN
43	33006176	1	RING D 47 UNI7437	5711140067
44	146 0701 000	1	BELT	5711140033
45	146 0711 000	1	SUPPORT	5711140033
46	146 0769 000	1	KEY 6X6X40 UNI6604A	5711140033
47	146 0780 000	1	PULLEY	5711140034
48	146 1175 000	1	FLANGE	5711140036
49	146 1453 000	2	SCREW M6X10 UNI5739	5711140038
50	145 0262 000	1	SPRING	5711140004
51	33005843	2	WASHER M10 UNI1751B	
52	145 5742 000	2	SCREW M10X20 UNI5931	5711140029
53	145 9186 000	2	BALL BEARING 6000 2RS	5711140002
54	33006156	2	RING D 26 UNI7437	5711140067

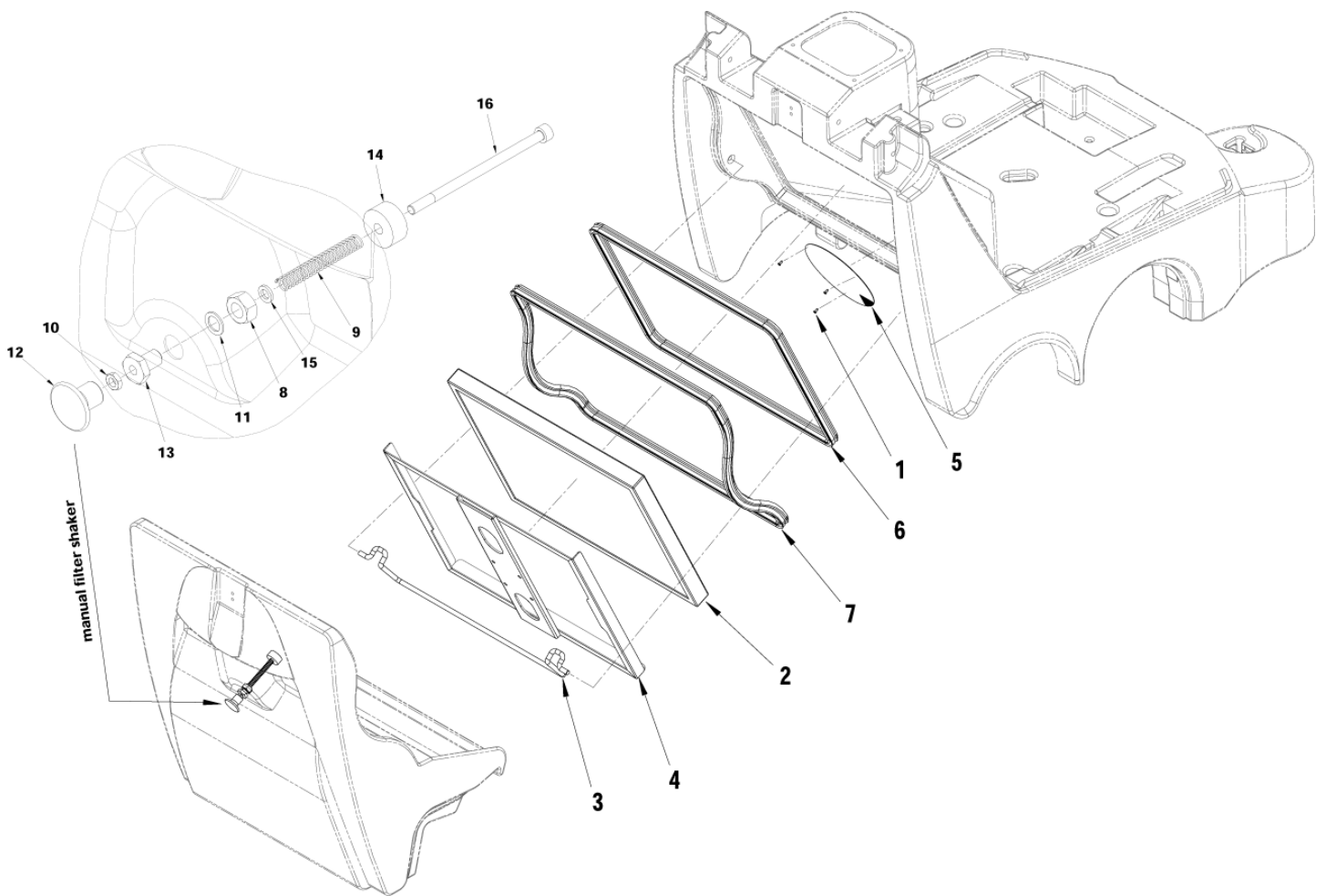
Dust control

FLOORTEC 560P

10-07-2009

Part List ID
FLOORTEC560P20

22



Dust control

FLOORTEC 560P

10-07-2009

Part List ID
FLOORTEC560P20

23

Pos	Part no.	Qty	Description	EAN
0	146 0782 000	1	PRE-FILTER	5715492038
1	146 0669 000	3	SCREW 4X12	5711140033
2	145 4746 000	1	FILTER POLYESTER BIA	5715492038
2	145 4806 000	1	FILTER PAPER	5715492038
2	146 0368 000	1	FILTER POLYES.BIA ANTIST.	5715492038
3	146 0573 000	1	HOOK FILTER	5711140032
4	146 0574 000	1	FRAME FILTER	5711140032
5	146 0607 000	1	PROTECTION FAN	5711140033
6	146 0629 000	1	GASKET L1600 LL 1600	5711140033
7	146 0741 000	1	GASKET	5711140033
8	33005505	1	NUT HEX M10 UNI5588	5711140065
9	145 1935 000	1	SPRING	5711140025
10	33005531	1	NUT HEX M6 UNI5589	5711140066
11	33005869	1	WASHER M10 UNI8842A	5711140067
12	145 4802 000	1	KNOB M6	5711140026
13	145 4928 000	1	BUSHING FILTER SHAKER	5711140027
14	145 5020 000	1	MASS FILTER SHAKER	5711140027
15	33005913	1	WASHER M6 UNI6592	5711140067
16	146 0636 000	1	SCREW M6X110 UNI5931	5711140033

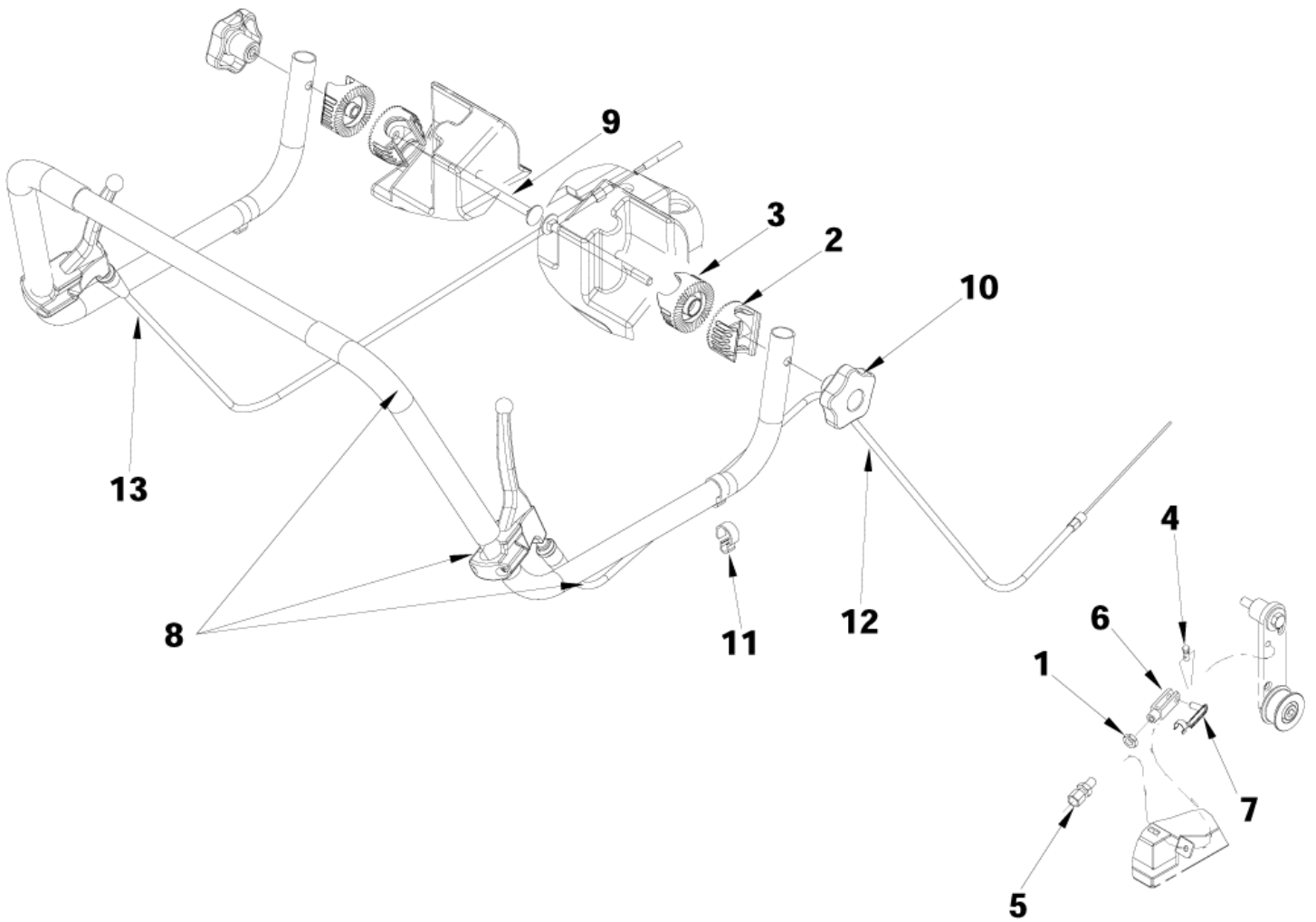
Handle

FLOORTEC 560P

10-07-2009

Part List ID
FLOORTEC560P22

24



Handle

FLOORTEC 560P

10-07-2009

Part List ID
FLOORTEC560P22

25

Pos	Part no.	Qty	Description	EAN
1	33005533	1	NUT HEX M8 UNI5589	5711140066
2	56264118	2	RATCHET HANDLE ADJ.	
3	56264123	2	RATCHET HANDLE ADJ.	
4	145 8110 000	1	CLAMP D.6	5711140004
5	145 9283 000	1	ADJUSTER M8X35	5711140004
6	145 9409 000	1	FORK M6	5711140023
7	145 9410 000	1	CIRCLIP M6	5711140023
8	146 2342 000	1	HANDLE COMPLETE	5711140043
9	146 0778 000	2	SCREW M8X130 UNI5731	5711140034
10	146 1852 000	2	KNOB M8	5711140041
11	146 0763 000	2	FIXING CABLE	5711140033
12	146 2309 000	1	CABLE.FLAP RAISING DEVICE	5711140043
13	146 2310 000	1	CABLE	5711140043

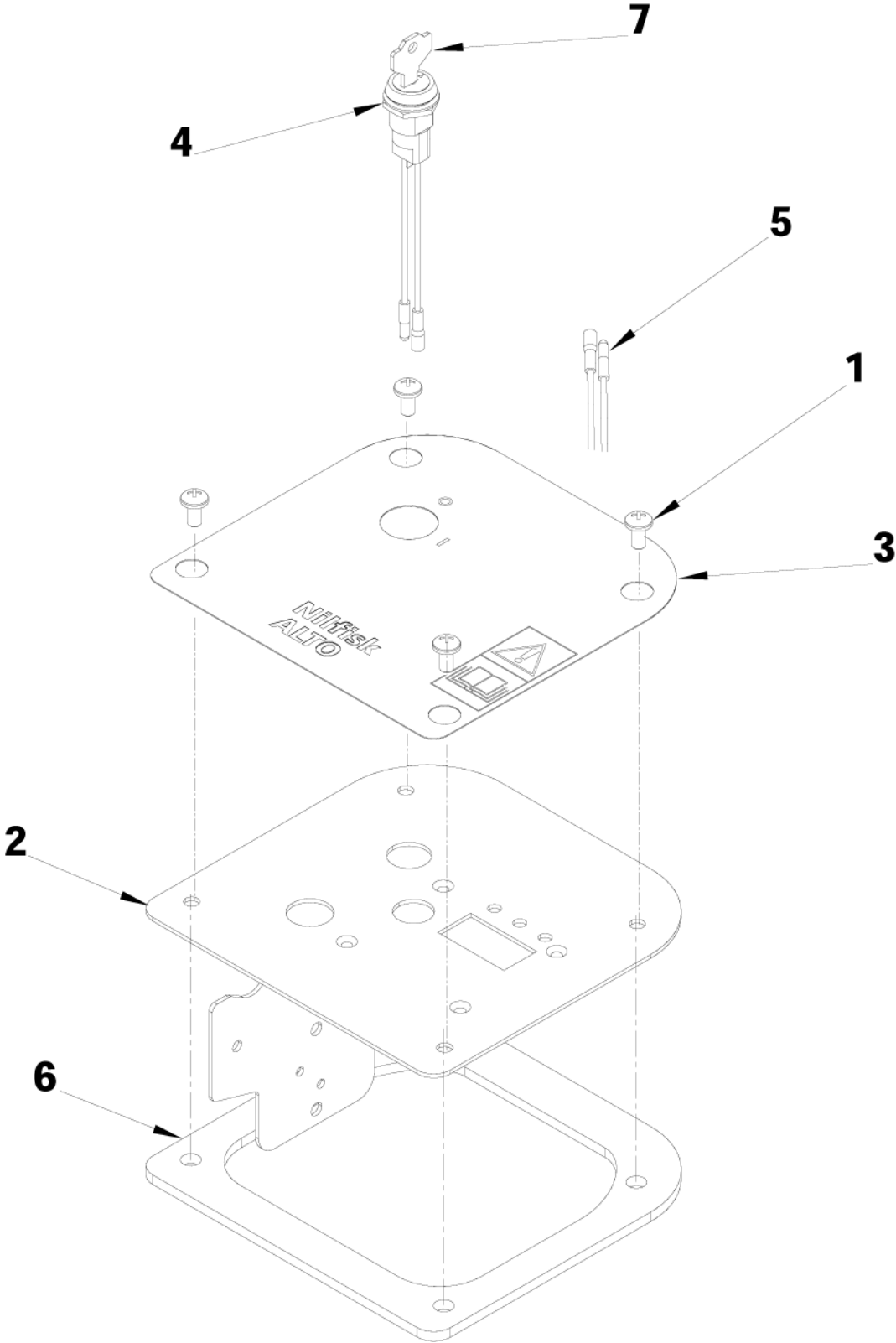
Control panel

FLOORTEC 560P

10-07-2009

Part List ID
FLOORTEC560P24

26



Control panel

FLOORTEC 560P

10-07-2009

Part List ID
FLOORTEC560P24

27

Pos	Part no.	Qty	Description	EAN
1	L08603706	4	SCREW M6X12 UNI7687	5711140015
2	146 0576 000	1	PANEL CONTROL	5711140032
3	146 2333 000	1	DECAL CONTROL PANEL	5711140043
4	146 0762 000	1	SWITCH KEY	5711140033
5	146 0706 000	1	HARNESS MACHINE SW700S P	5711140033
6	146 0697 000	1	GASKET	5711140033
7	146 2302 000	1	KEY -2 PCS-	5711140043

Hub assembly

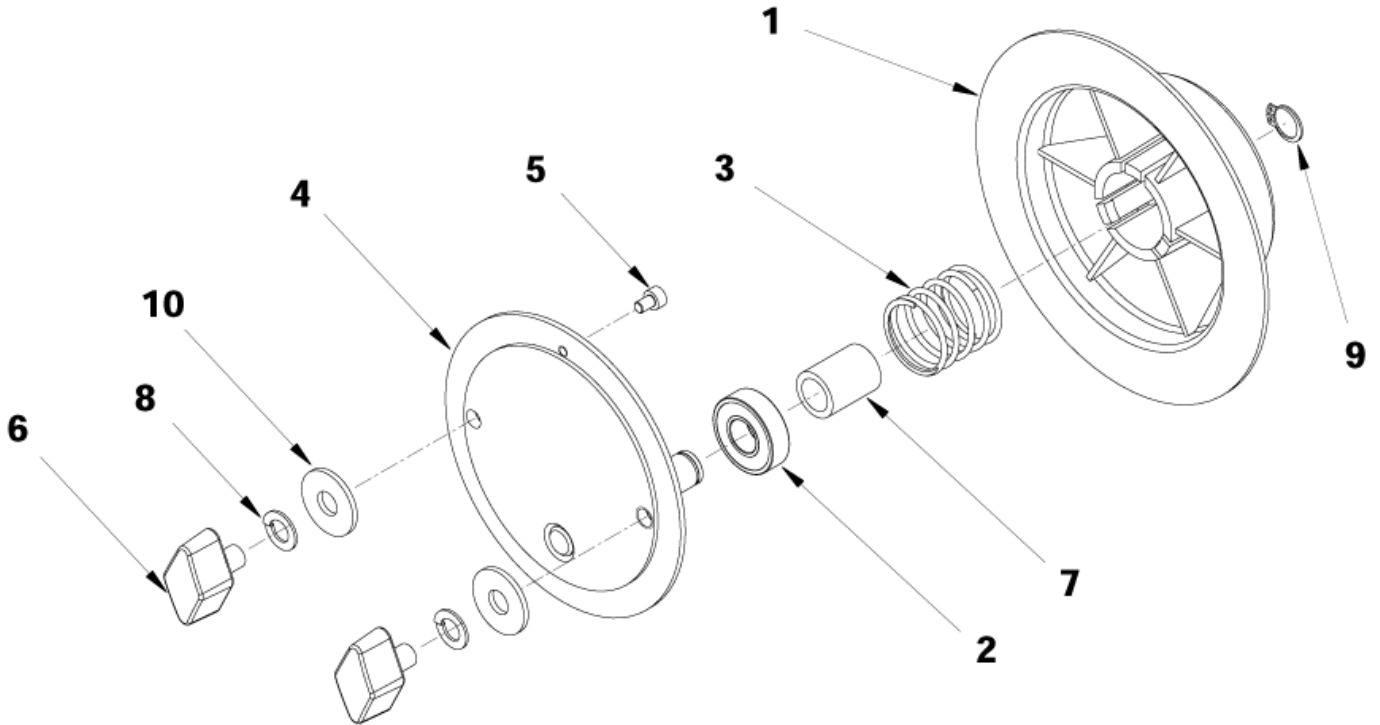
FLOORTEC 560P

10-07-2009

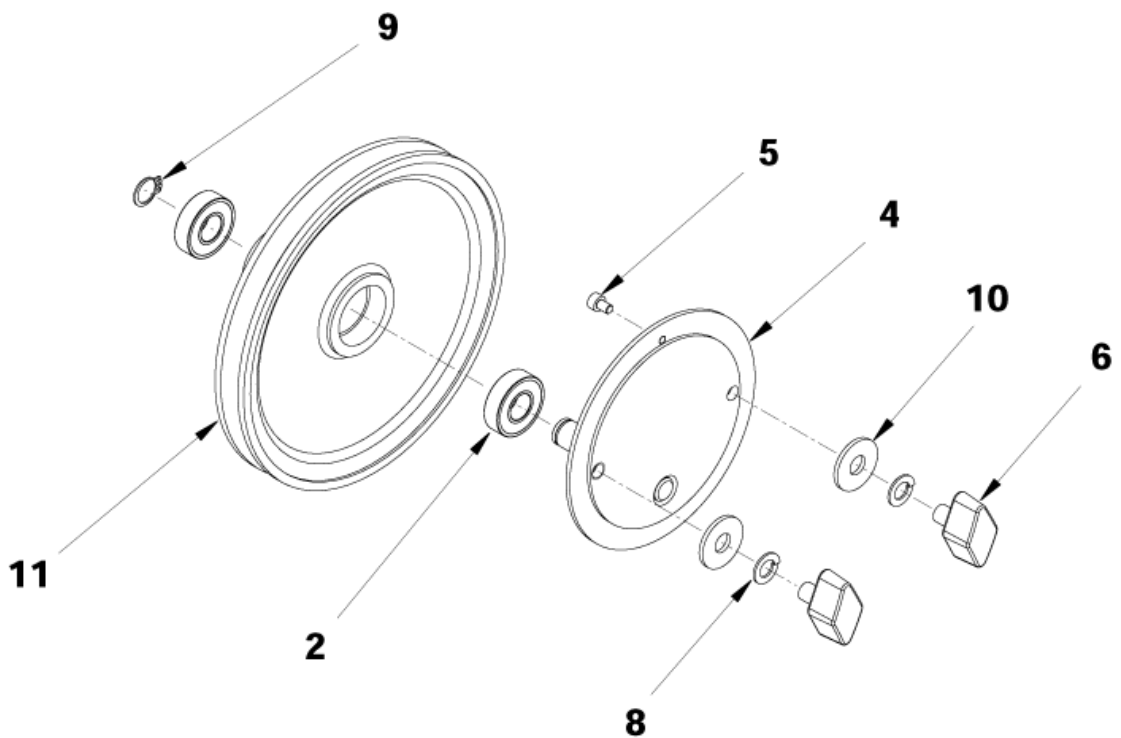
Part List ID
FLOORTEC560P26

28

Left hub assembly



Right hub assembly



Hub assembly

FLOORTEC 560P

10-07-2009

Part List ID
FLOORTEC560P26

29

Pos	Part no.	Qty	Description	EAN
1	145 0269 000	1	HUB	5711140003
2	145 0270 000	3	BALL BEARING 6001 2RS	5711140002
3	145 0271 000	1	SPRING	5711140004
4	145 0272 000	2	PIN	5711140003
5	33004305	2	SCREW M4X6 UNI5931	5711140064
6	145 1211 000	4	KNOB M 8X 12	5711140012
7	145 2663 000	1	SPACER 12X17X22.5	5711140004
8	33005842	4	WASHER M8 UNI1751B	5711140067
9	33006051	2	RING D 12 UNI7435	5711140067
10	L08300000	4	WASHER 8X24 UNI6592	5711140012
11	145 2617 000	1	PULLEY	5711140003



heupel Reinigungstechnik GmbH

Gottlieb Daimler Str. 6
88214 Ravensburg

Tel: (049) 0751 - 35905-3
Fax: (049) 0751 - 35905-59

email: info@heupel-gmbh.de
www.heupel-gmbh.de

Shop: www.heupel-shop.de

Heupel - Reinigungstechnik - Beratung, Verkauf, Service, alles aus einer Hand.

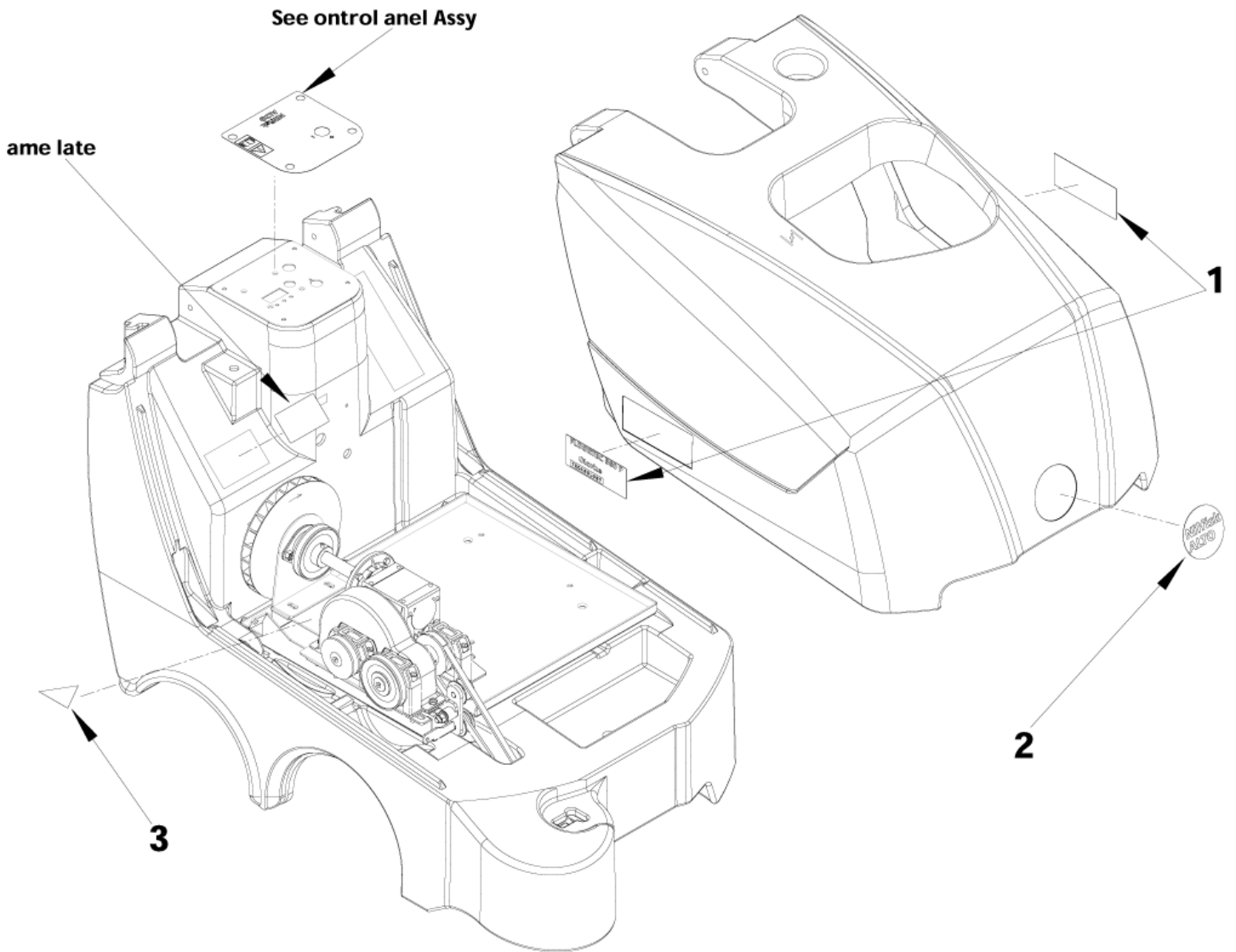
Decals

FLOORTEC 560P

10-07-2009

Part List ID
FLOORTEC560P28

30



Decals

FLOORTEC 560P

10-07-2009

Part List ID
FLOORTEC560P28

31

Pos	Part no.	Qty	Description	EAN
1	1463823000	2	DECAL FLOORTEC 560 B	5711140137
2	146 2321 000	1	DECAL NILFISK-ALTO ROUND	5711140043
3	145 1431 000	1	DECAL DANGER MOVING PARTS	5711140021