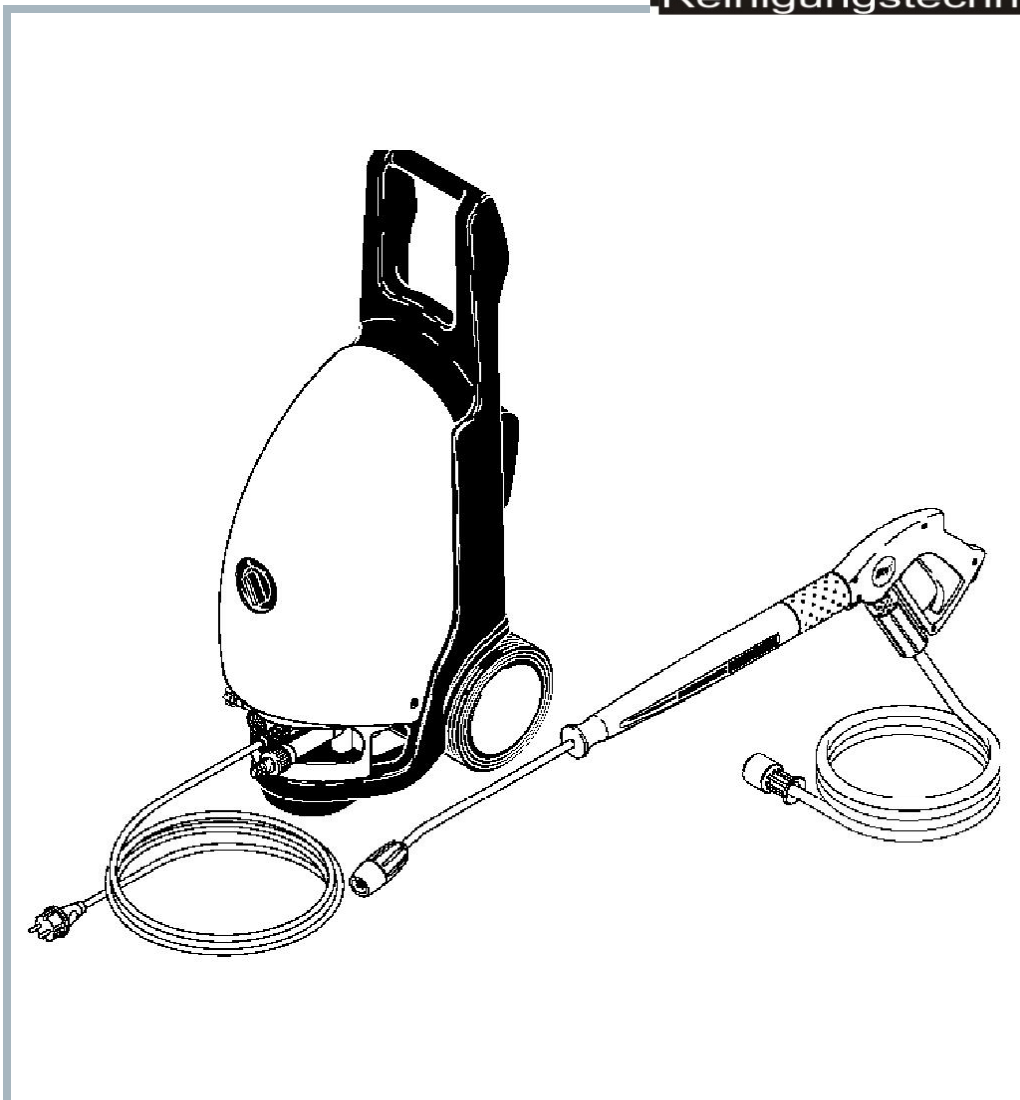


1100W

Model:
OEM 1100

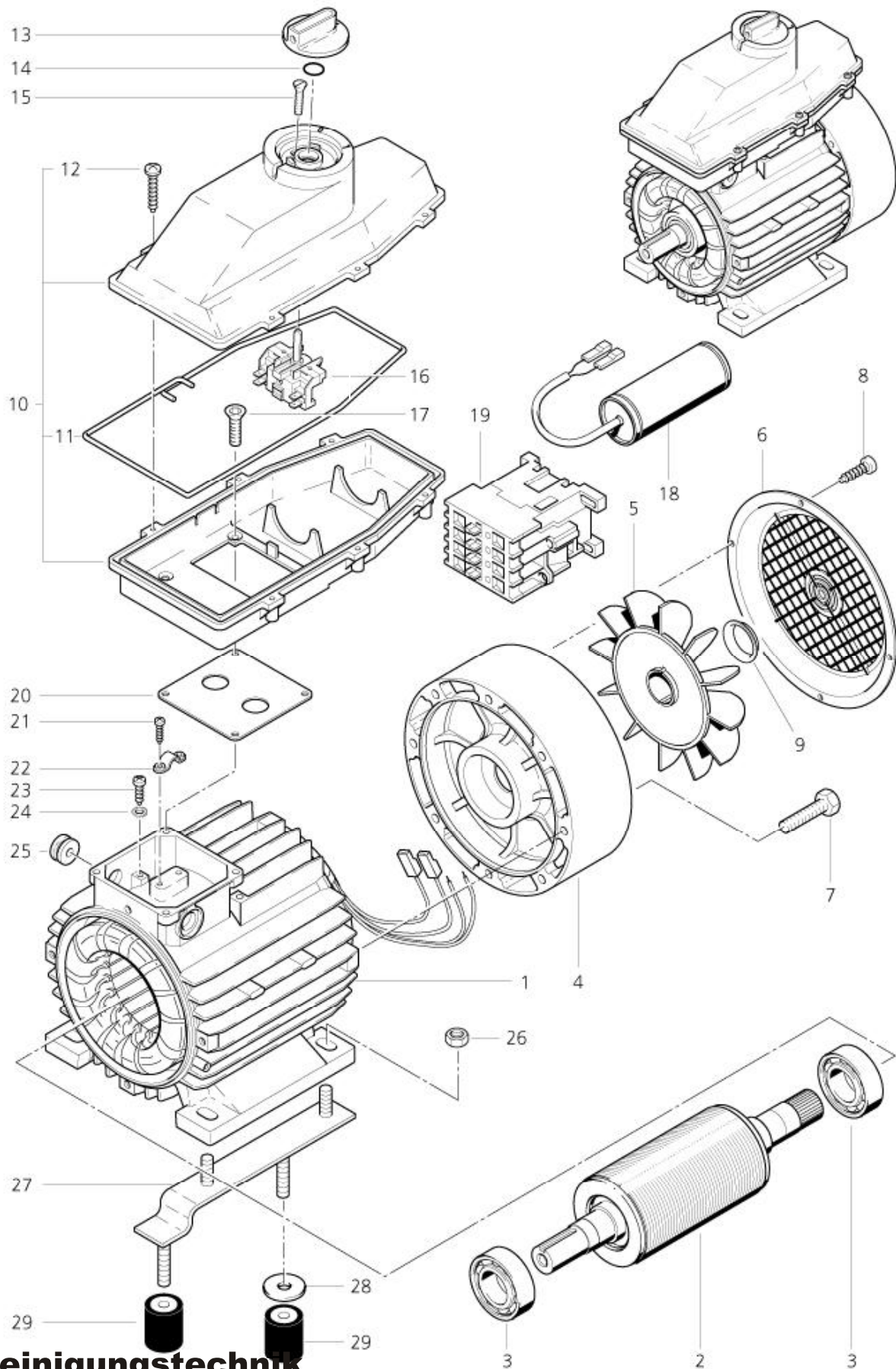


Part List US-English

16-04-2009

Nilfisk
ALTO
Why Compromise

Stator	3
Pump housing	5
Pump casing	7
Cabinet	9



Stator

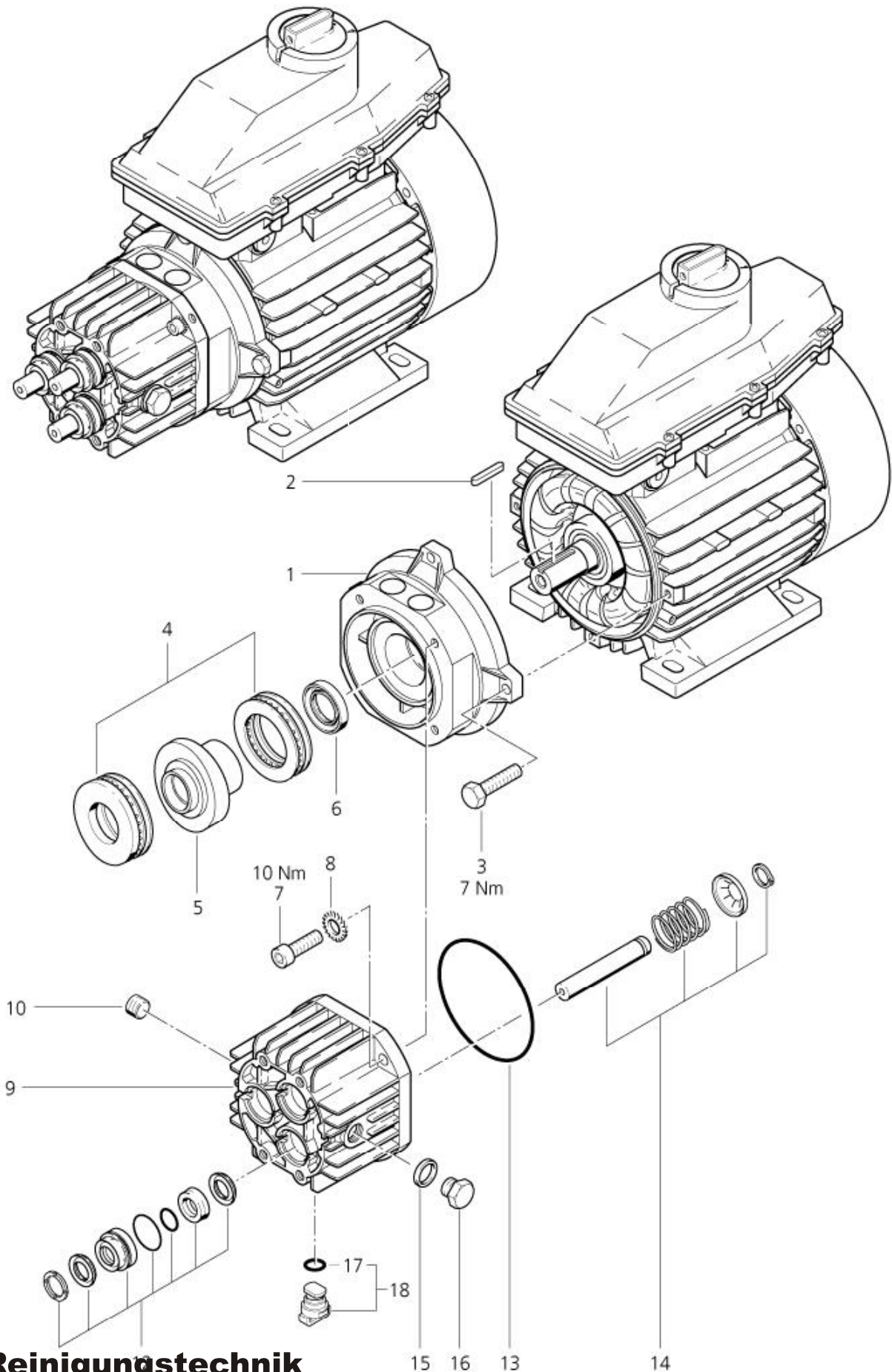
1100W

16-04-2009

Part List ID 1100W02

4

Pos	Part no.	Qty	Description	EAN
1	301000876	1	STATOR + ROTOR 4KW 400AT	4005337029
1	61009	1	STATOR 1100W	4005337610
2	301000876	1	STATOR + ROTOR 4KW 400AT	4005337029
2	61010	1	DESI-YT 1 L	7391489610
3	9934	1	ROLLER BEARING 6205-2Z	4005337099
4	29906	1	BEARING COVER	4005337299
5	29907	1	FAN IMPELLER	4005337299
6	29908	1	SHROUD	4005337299
7	2806	1	SCREW M6X25	4005337028
8	8956	1	SHEET METAL SCREW 3,9X9,5	4005337089
9	29909	1	CLAMPING RING	4005337299
10	61025	1	CONTROL PANEL	4005337610
11	101406054	1	SPONGE RUBBER Ø4 1M	5701715457
12	16861	1	SCREW 4X20	4005337168
13	243611	1	TURNING KNOB	4005337017
14	9868	1	O RING DIA 10X2,5	4005337098
15	18274	1	COUNTERSUNK SCREW M4X12	4005337182
16	29931	1	ROTARY SWITCH	4005337299
17	30346	1	COUNTERSUNK SCREW	4005337303
18	41464	1	CONDENSER	4005337414
19	63878	1	CONTACT 380-400AT 50HZ 7	4005337638
19	63905	1	CONTACT 100-C16KF10 23	4005337639
20	29932	1	GASKET FOR TERMINAL BOX A	4005337299
21	18086	1	SCREW 2,9X13	4005337180
22	29994	1	STRAIN RELIEF BRACKET	4005337299
23	8822	1	SHEET METAL SCREW 3,5X9,	4005337088
24	4021	1	SERRATED LOCK WASHER A4,	4005337040
25	29948	1	LEAD-THROUGH SLEEVE D20X5.	4005337299
26	2758	1	HEXAGON NUT M8	4005337027
27	61032	1	BRACKET	4005337610
28	2793	1	WASHER 8,4X2	4005337027
29	26608	1	BUFFER Ø30X20	4005337266



Pump housing

1100W

16-04-2009

Part List ID

1100W04

6

Pos	Part no.	Qty	Description	EAN
1	61011	1	PUMP HOUSING	4005337610
2	29912	1	FITTING KEY	4005337299
3	2806	1	SCREW M6X25	4005337028
4	61014	1	BEARING SET	4005337610
5	61012	1	SWASH PLATE Wap 1100 W *GB,230V*	4005337610
5	61013	1	SWASH PLATE Wap 1100 W *EU*ZA*	4005337610
5	61108	1	SWASH PLATE Wap 1100 W *GB,230V*	4005337002
6	29911	1	SHAFT SEAL RING 24X 40	4005337299
7	2786	1	SCREW M8 X 25 DIN	4005337027
8	2803	1	WASHER 8,2	4005337028
9	61015	1	PUMP HOUSING	4005337610
10	6868	1	SCREW PLUG G3/8	4005337068
12	61017	1	GASKET SET	4005337610
13	61026	1	O-RING 94,92X2,62	4005337610
14	61016	1	PISTON SET	4005337610
15	1407	1	PACKING RING 17X23 C760	4005337014
16	61944	1	OIL PLUG 6KT R3/8	4005337619
17	12778	1	O-RING Ø13,3X2,4	4005337127
18	43470	1	CAP	4005337434

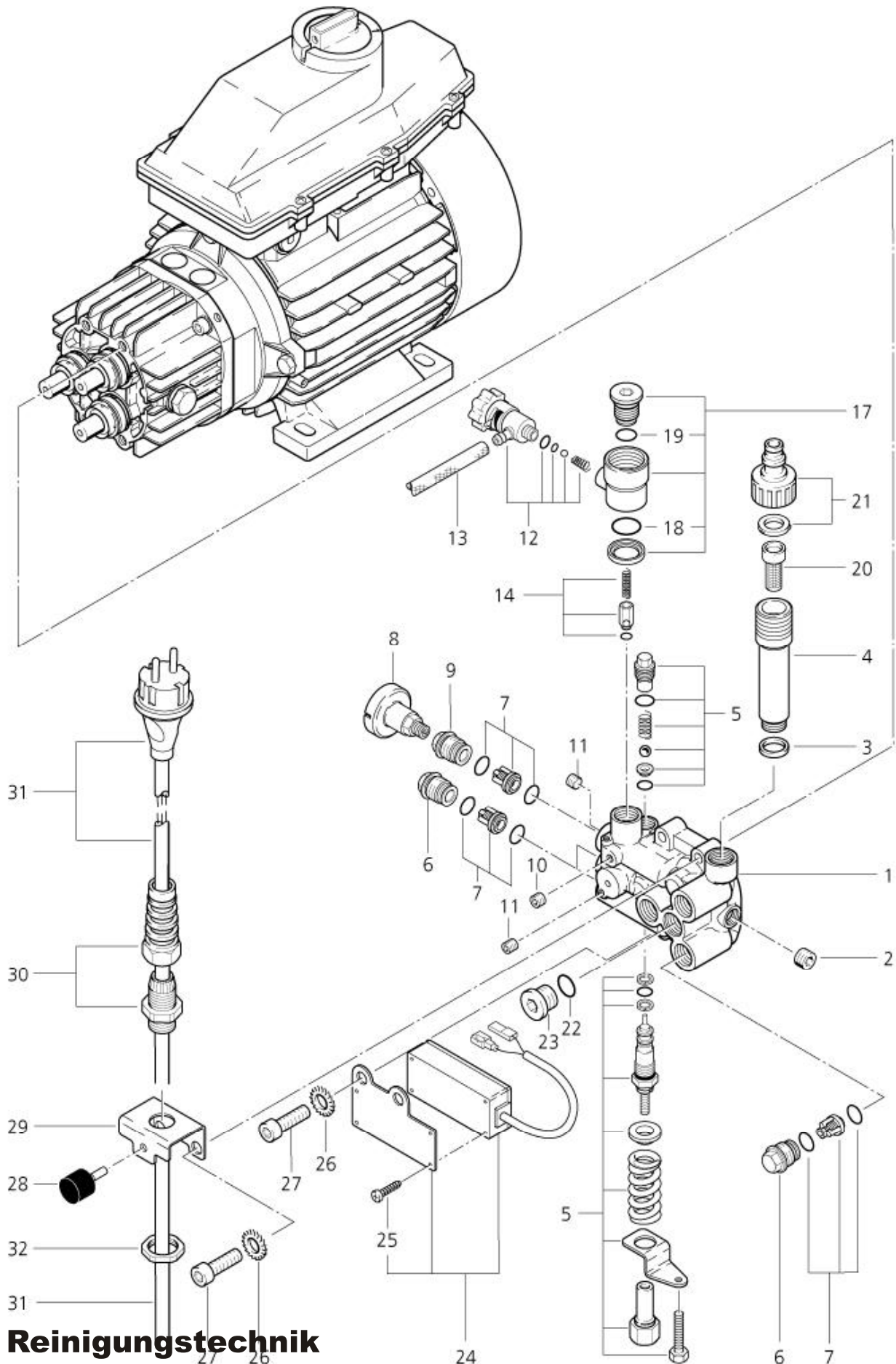
Pump casing

1100W

16-04-2009

Part List ID 1100W06

7



Pump casing

1100W

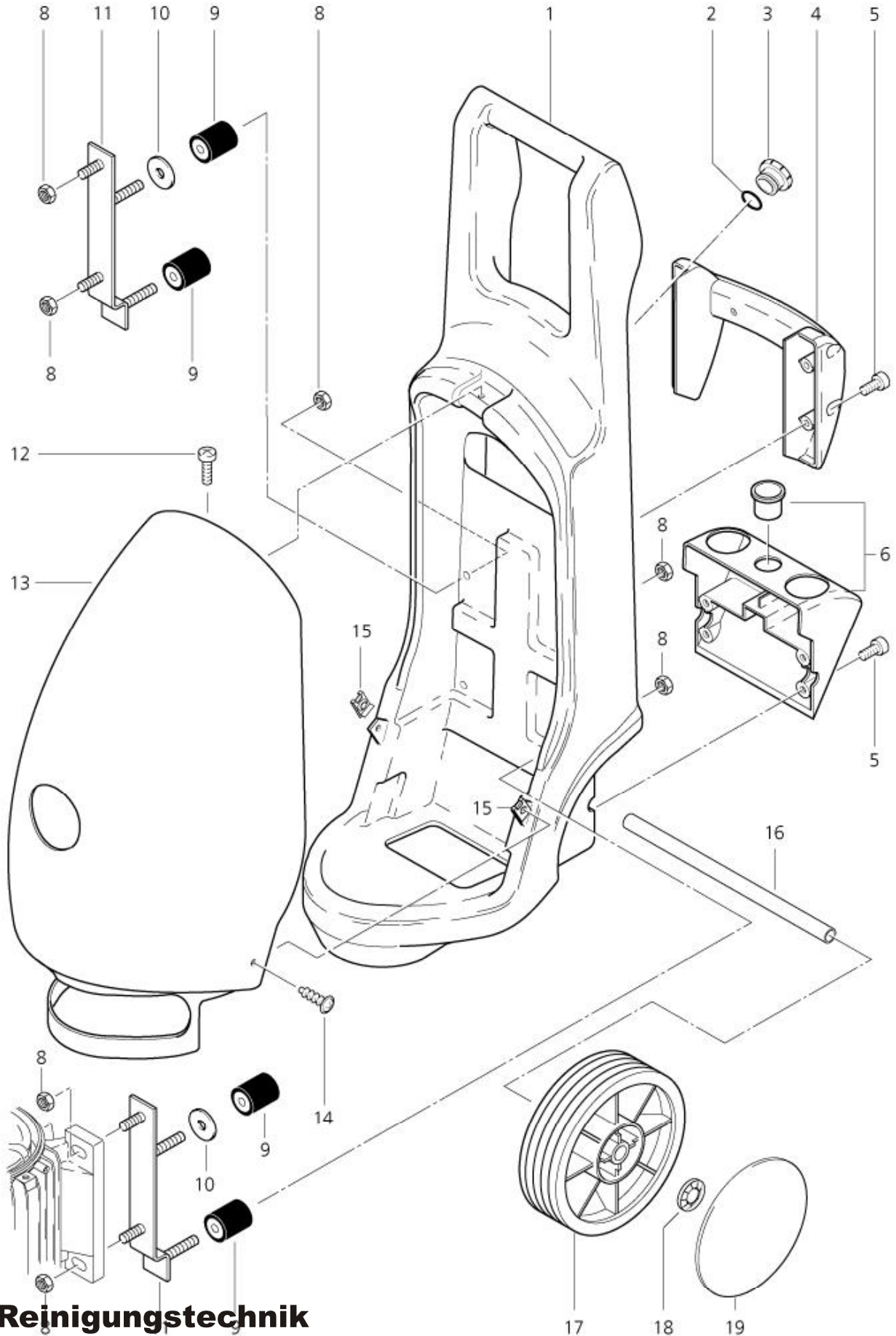
16-04-2009

Part List ID

1100W06

8

Pos	Part no.	Qty	Description	EAN
1	61018	1	PUMP CASING	4005337610
2	6262	1	SCREW PLUG R1/4	4005337062
3	16048	1	GASKET D22/16,5X2 NBR	4005337160
4	61019	1	INLET CONNECTOR	4005337610
5	61022	1	NON RETURN VALVE	4005337610
5	61030	1	NON RETURN VALVE	4005337610
6	61044	1	SCREWED SEALING PLUG	4005337610
7	61020	1	VALVE SET-CONSISTS OF 6 V	4005337610
8	301000246	1	MANOMETER 0-300 BAR	4005337671
9	61021	1	RING	4005337610
10	41488	1	SET SCREW DIN 916 M5X 6	4005337414
11	16704	1	SET SCREW DIN 916 M6X 8	4005337167
12	29929	1	CHEMICALS METERING DEVICE	4005337299
13	16963	1	HOSE Ø 6X1,5	PLEASE INDICATE LENGTHS IN METRES WHEN ORDERING 4005337169
14	61023	1	SPRING AND TAP	4005337610
17	61028	1	CHEM BLOCK	4005337610
18	49587	1	O-RING Ø 20,35X1,78	4005337495
19	42768	1	O-RING Ø 11,2X1,8	4005337427
20	54649	1	SUCTION STRAINER	4005337546
21	32541	1	GARDENA MALE 3/4	4005337325
22	42779	1	O-RING 15,0X2,0 DIN 3770	4005337427
23	61045	1	SCREWED SEALING PLUG	4005337610
24	61024	1	PRESSURE CUT-OUT	4005337610
25	12189	1	SHEET METAL SCREW	4005337121
26	10204	1	SERRATED LOCK WASHER A10	A10,5 4005337102
27	61042	1	CAP SCREW M10X 35	4005337610
28	25987	1	RUBBER BUFFER 20X20 WITH	4005337259
29	61029	1	MOUNTING PLATE	4005337610
30	11566	1	CABLE SCREW	4005337115
31	10440	1	CABLE H07RN-F 3G1,5X 5,0	H07RN-F 3G1,5X 5,0 4005337104
31	11156	1	CABLE H07RN-F 3G1,5X 5,0	H07RN-F 3G1,5X 5,0 4005337111
31	14503	1	POWER CABLE	H07RN-F 3G1,5X 7,5 4005337145
31	14917	1	CABLE WITH PLUG	H07RN-F 4G1,5X 5,0 4005337149
31	27072	1	POWER CABLE 4G1,5X 5,0 F	4G1,5X 5,0 *FR* 4005337270
31	29007	1	POWER CABLE	4005337290
31	32024	1	POWER CORD H07RN-F 3G1,5X 6,5	3G1,5X 5,0 *AUS* 4005337320
31	57065	1	POWER CABLE	H07RN-F 3G1,5X 5,0 *GB* 4005337570
32	17345	1	NUT 6KT PG 13,5 46320 PVC	4005337173



Cabinet

1100W

16-04-2009

Part List ID
1100W08

10

Pos	Part no.	Qty	Description	EAN
1	29933	1	CHASSIS	4005337299
2	49894	1	O-RING 20,0 X2,0 DIN	4005337498
3	29941	1	COVER D45X30 CHEMICAL TAN	4005337299
4	6126991	1	HANDLE REP.KIT	5701715269
5	46245	1	SCREW M6X10	4005337462
6	64185	1	HOLDER	4005337641
8	2758	1	HEXAGON NUT M8	4005337027
9	26608	1	BUFFER Ø30X20	4005337266
10	2793	1	WASHER 8,4X2	4005337027
11	61032	1	BRACKET	4005337610
12	18087	1	SCREW M5X16	4005337180
13	61034	1	COVER RE 280K STIHL LIGHT GREY PP	4005337610
14	9221	1	SHEET METAL SCREW 4,8X19	4005337092
15	63946	1	SPRING NUT 4,8X3	4005337639
16	6127968	1	AXLE SHAFT	5701715269
17	61033	1	WHEEL Ø175X65XØ15	4005337610
18	11710	1	CLAMPING RING Ø 15	4005337117
19	29939	1	DISK	4005337299